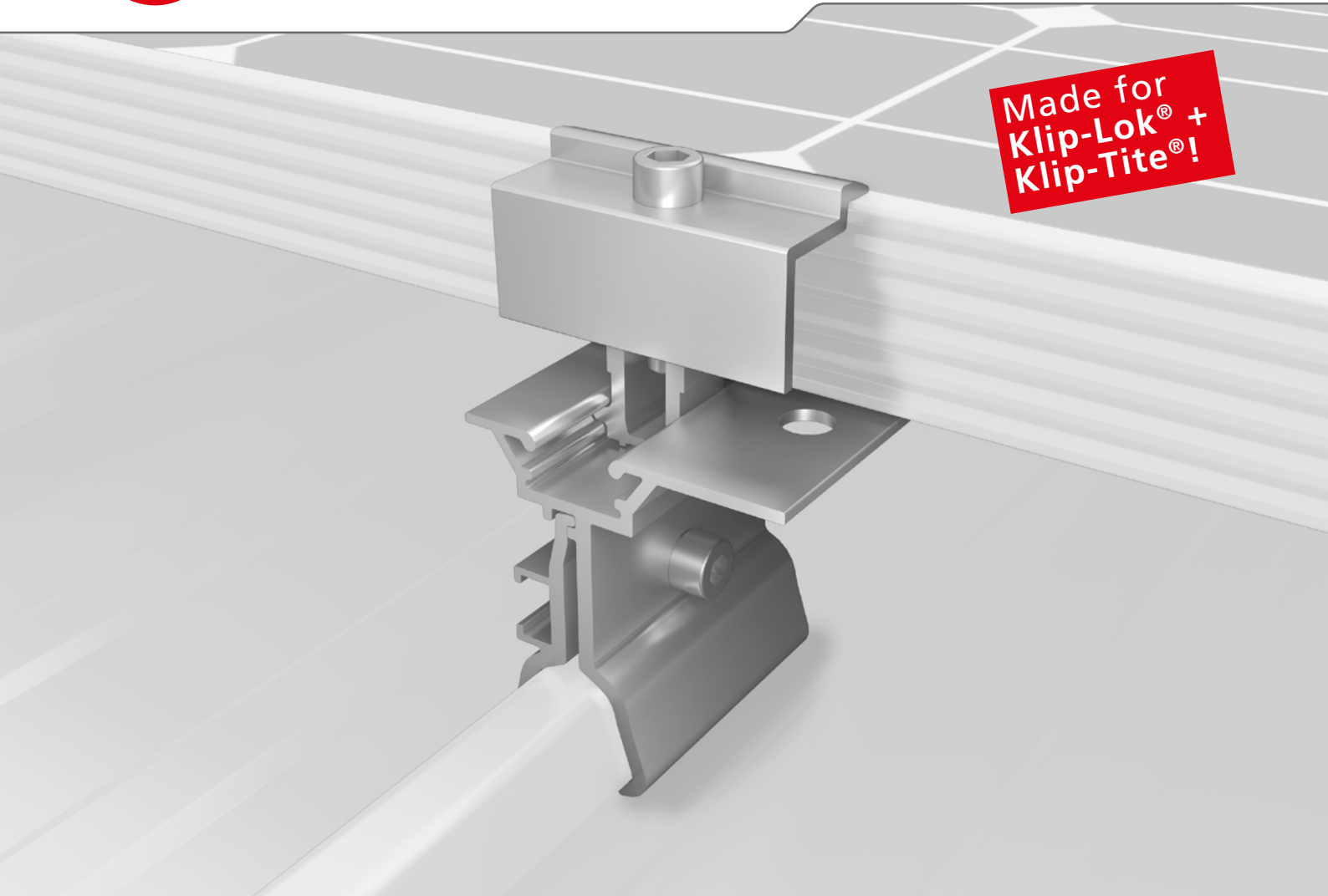


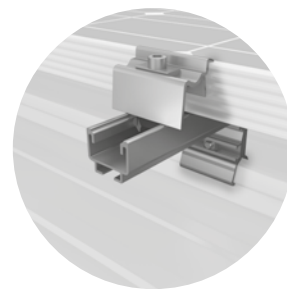
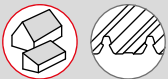


RibClamp KL System

Made for
Klip-Lok® +
Klip-Tite®!

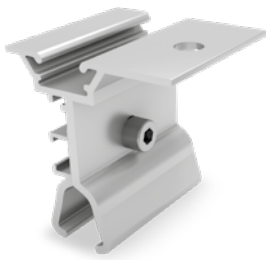


- ▶ Ultra-quick assembly solution for roofing types: Klip-Lok® and Klip-Tite®
- ▶ Rail-less landscape assembly with a module supporting clamp
- ▶ Comfortable portrait assembly with SolidRail
- ▶ **One clamp fits all:** Universal module clamps for landscape and portrait assemblies



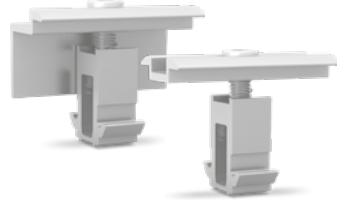
Portrait assembly with SolidRail and universal module clamps

Components



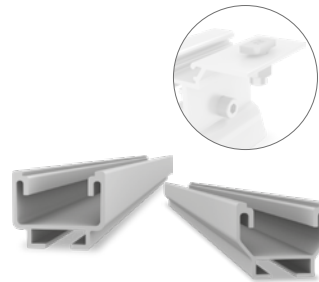
RibClamp KL

- ▶ Module supporting clamp for rail-less assembly
- ▶ Quick fastening and optional portrait assembly



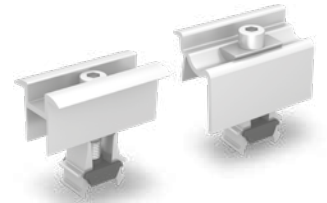
Universal module clamps

- ▶ MiniClamp MC/EC for rail-less assembly
- ▶ Clamping range: 30-50 mm



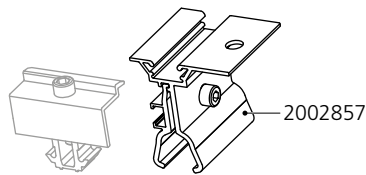
SolidRail for portrait

- ▶ Easy assembly with t-bolts
- ▶ Compatible to other roof fastenings like roof hooks or hanger bolts

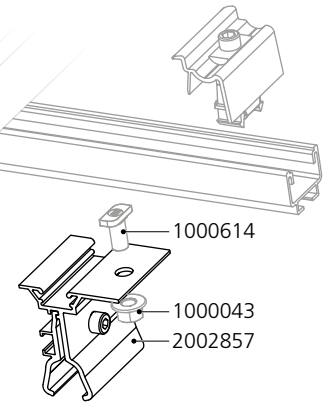


Portrait module clamps

- ▶ Universal clamps OneMid and OneEnd
- ▶ Clamping range: 32-42 mm
- ▶ For many K2 systems



RibClamp KL is delivered pre-assembled



Technical data

RibClamp KL System	
Compatibility	<ul style="list-style-type: none"> ▶ Klip-Lok Classic 700 ▶ Klip-Lok 406 ▶ Klip-Tite 700
Module orientation	Landscape and portrait
Material	Aluminium (EN AW-6063 T66) and stainless steel (1.4301) A2-70
Weight	146 g
Portrait assembly with	SolidRail XS or UltraLight

