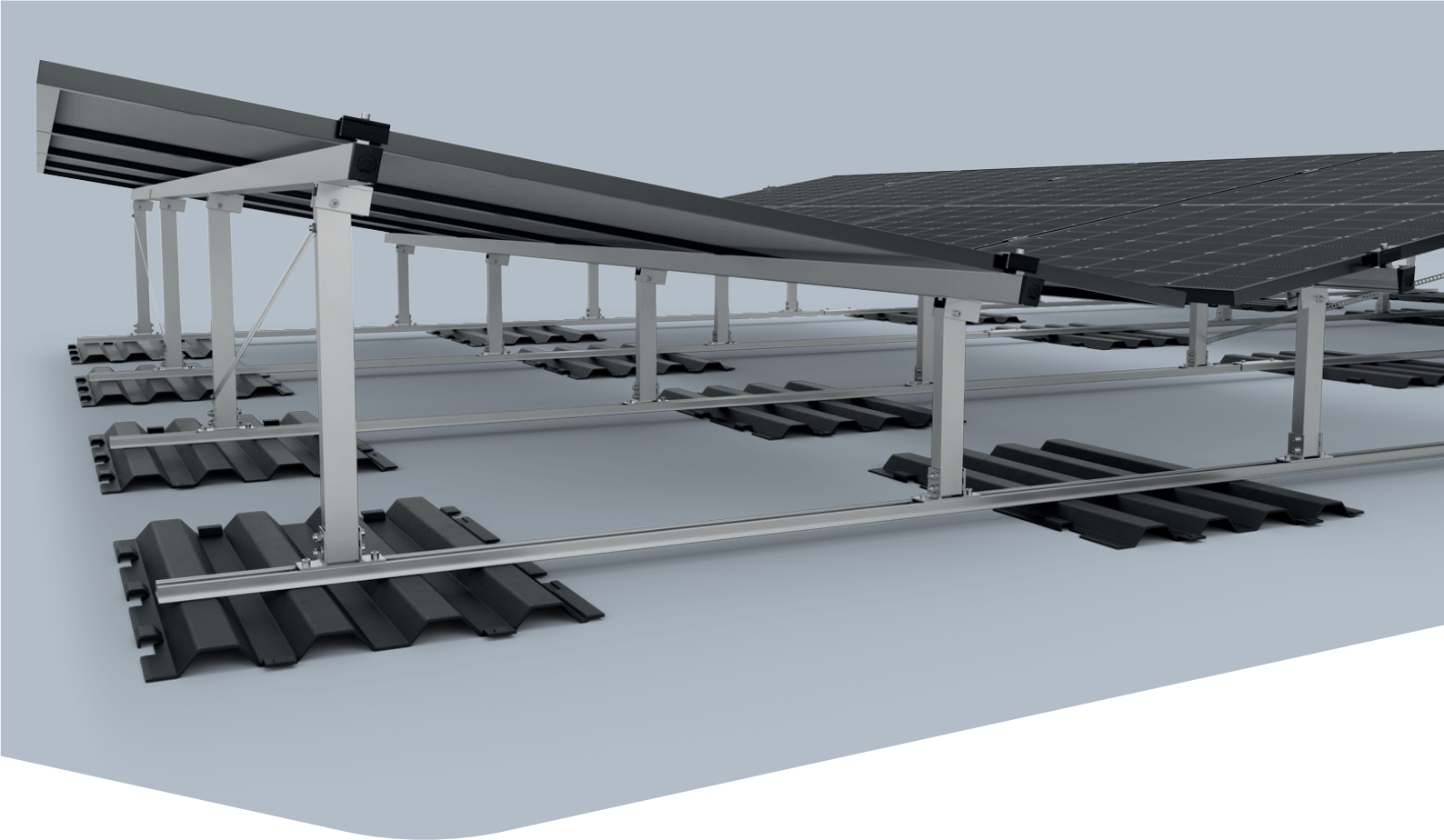




Connecting Strength



 Assembly instructions

GreenRoof 2.0 System

Content

• Tools overview	3
• General safety information	4
• The following guidelines apply	5
· Planning with K2 Base	5
· Roof requirements	5
· Static requirements	5
· Important mounting instructions	5
• Components	6
· Basic components	6
· Landscape with AddOn	8
• Assembly dimensions	9
· Portrait	9
· Landscape	9
· V-Shape Portrait	10
· V-Shape Landscape	10
· A-Shape Portrait	11
· A-Shape Landscape	11
· S-Shape Portrait	12
· S-Shape Landscape	12
• Assembly	13
· Thermal separations	13
· Modul assembly portrait with K2 Clamp or XS-Clamp	17
· Modul assembly landscape with XS-Clamp and AddOn XS	18
· Wind bracing	19
· Cantilever	20
• Optional assembly steps	21
· EndCap	21
· TerraGrif QL	21
• Notes	22

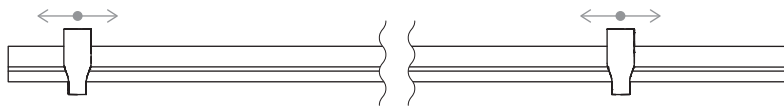
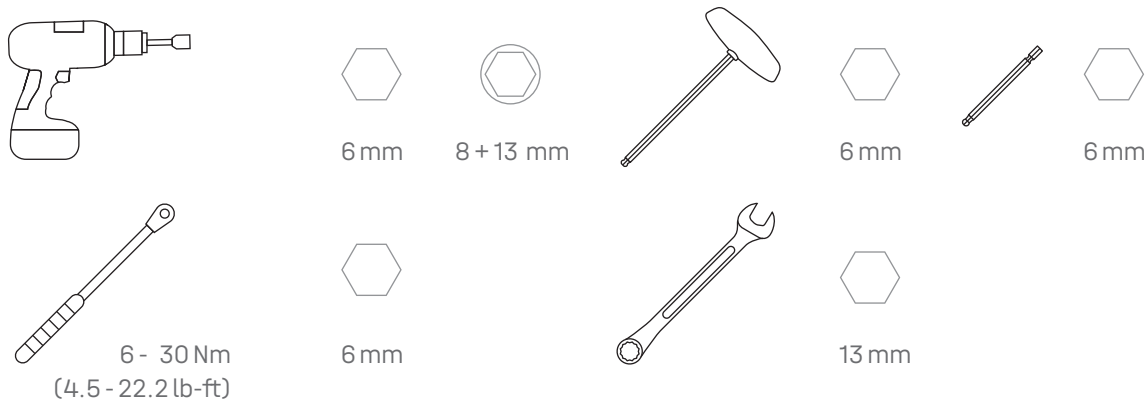
Quality tested - several certifications

K2 Systems stands for secure connections, highest quality and precision. Our customers and business partners have known that for a long time. Independent institutes have tested, confirmed and certified our capabilities and components.

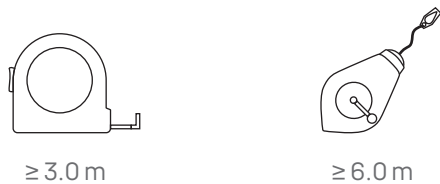
Please find our quality and product certificates under:

[k2-systems.com](https://www.k2-systems.com)

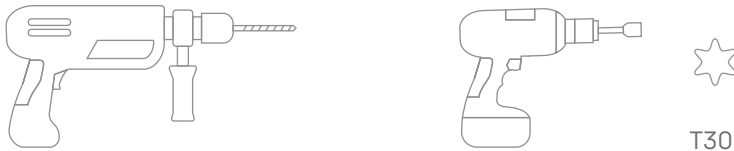
Tools overview



Dome Speed Spacer 2.50 2004129
Distance template for module lengths



Optional for mounting on concrete blocks



Digital Toolbox



Do you already know our digital services? Use our K2 DocuApp now and record the first important data directly at the customer or project site. Simply transfer the data to our online planning software K2 Base. Here you can plan your project easily, safely and quickly. You receive a detailed project report with assembly plan and static report. The K2+ interface enables seamless project data transfer to the planning tools of other manufacturers. With the K2 DocuApp, project documentation is done quickly and easily - without annoying paperwork.

Get started and register now:

docuapp.k2-systems.com →

base.k2-systems.com →

General safety information

Please note that our general mounting instructions must be followed at all times and can be viewed online at [k2-systems.com](https://www.k2-systems.com).

- The equipment may only be installed and operated by qualified and adequately trained installers.
- Prior to installation, ensure that the product complies with on-site static loading requirements. For roof-mounted systems, the roof load-bearing capacity must always be checked.
- National and local building regulations and environmental requirements must be adhered to.
- Compliance with health and safety regulations, accident prevention guidelines and applicable standards is required.
 - Protective equipment such as safety helmet, boots and gloves must be worn.
 - Roofing works must be in accordance with roofing regulations utilising fall protection safeguards when eaves height exceeds 3m.
 - At least two people must be present for the duration of the installation work in order to provide rapid assistance in the event of an emergency.
- K2 mounting systems are continuously developed and improved and the installation process may thereby change at any time. Prior to installation consult our website at [k2-systems.com](https://www.k2-systems.com) for up-to-date instructions. We can send you the latest version on request.
- The assembly instructions of the module manufacturer must be adhered to.
- Equipotential bonding/grounding/earthing between individual parts is to be performed according to country specific standards, as well as national laws and regulations.
- At least one copy of the assembly instructions should be available on site throughout the duration of the installation.
- Failure to adhere to our general safety and assembly instructions and not using all system components, K2 is not liable for any resulting defects or damages. We do not accept liability for any damage resulting in the use of competitor's parts. Warranty is excluded in such cases.
- K2 Systems GmbH reserves the right to exclude liability if our general safety instructions are disregarded or if components of the competition are installed or attached.
- If all safety instructions are adhered to and the system is correctly installed, there is a product warranty entitlement of 12 years! We strongly recommend reviewing our terms of guarantee, which can be viewed at [k2-systems.com](https://www.k2-systems.com). We will also send this information on request.
- Dismantling of the system is performed in reverse order to the assembly.
- K2 stainless steel components are available in different corrosion resistance classes. Each structure or component must be carefully checked for possible corrosion exposure.

The following guidelines apply

This system can be used without further testing by K2 Systems in the following standard conditions. The system is also suitable for higher requirements. However, if a value exceeds the standard conditions, please contact K2 Systems.



Planning with K2 Base

We recommend our free online software K2 Base for the planning. In five steps, you can plan the right assembly system and get a construction recommendation, parts list and the structural analysis report. Simply register and start planning:
base.k2-systems.com



Roof requirements

- This system can be positioned on all common flat roofs with a pressure-resistant base and a roof pitch of $\leq 5^\circ$ with ballast.
- For roof pitches $> 3^\circ$, we recommend burying the stones or PE base plates used under the modules.



Static requirements

- It is essential to check that the roof structure has sufficient residual load capacity.
- Permissible module dimensions: length 1400 - 2400 mm, width 950 - 1350 mm



Important mounting instructions

Mounting system

- The elevation angle of the GreenRoof 2.0 system is either 10° or 15°
- A minimum distance to the roof edge of 600 mm must be observed. The minimum distance can be reduced for building heights of less than 5 metres
- It can be mounted with only two elevations

- A thermal separation (distance between module blocks) must be maintained in the direction of the base rail and module rows:
 - Base rail: 17.5 m
 - Module row: 16.5 m
- In the event of exceptional circumstances (such as storms, heavy rain, earthquakes, etc.), the system should be checked by a specialist. Should an inspection find damage or plastic deformation (such as in the module clamp area) the components must be replaced.

Modules and clamping

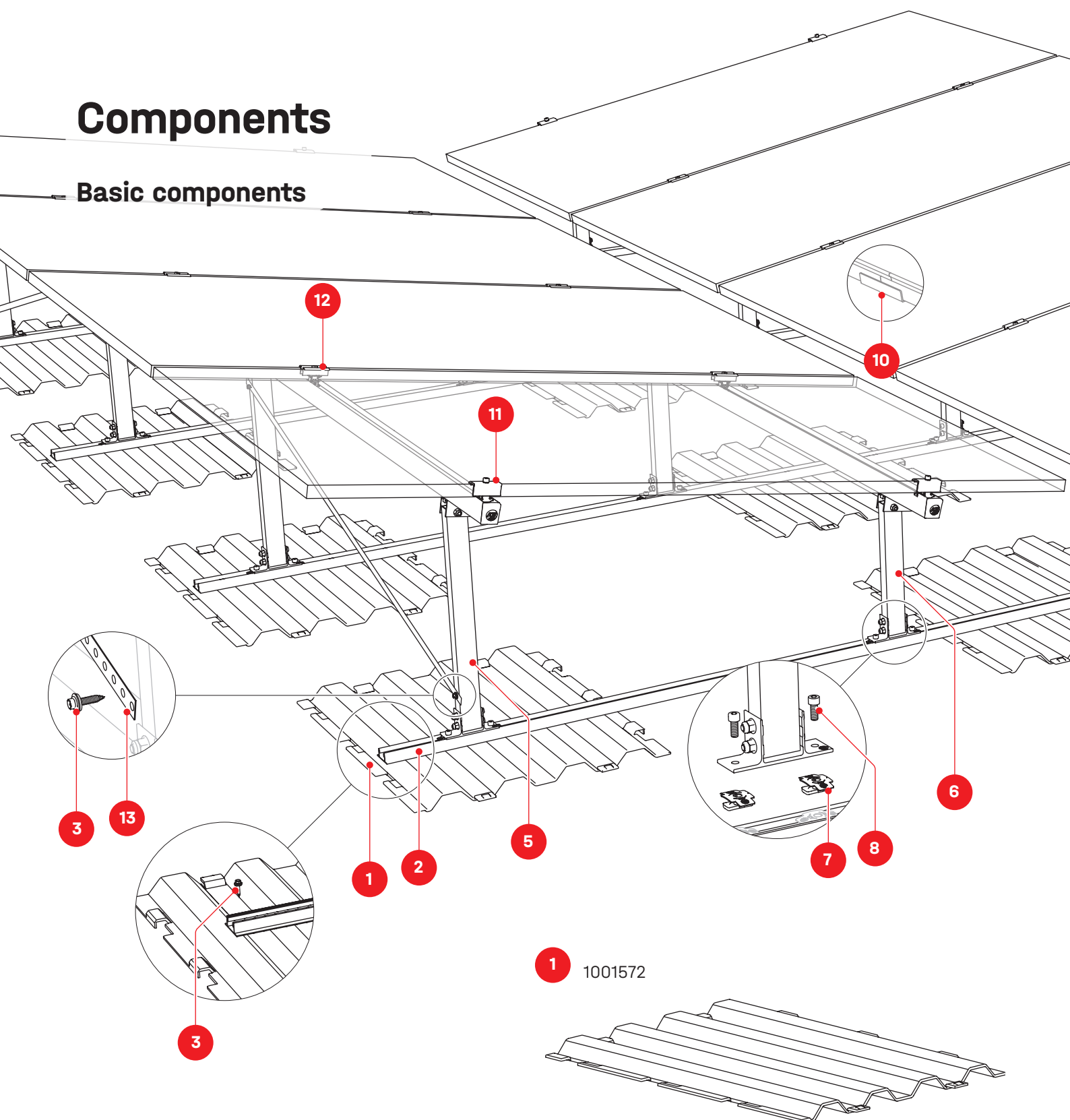
- Tightening torque of 16 Nm for all module clamps.
- Adhere to module manufacturer recommendations for clamping area and module installation (see module manufacturer instructions).

General information

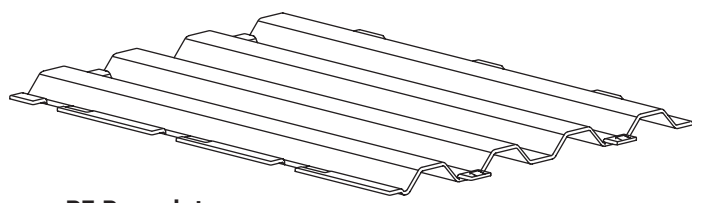
- External influences that act on this system are only reflected in the design of the ballast to a limited degree. For instance, unevenness, thermal elongation, moss, water accumulation and ageing of the sheeting cannot be considered, although these factors might also precipitate system displacement under certain circumstances. We recommend you check whether the system requires additional mechanical attachment, as the impact of these influences may be greater on slanted roofs.
- It is important to ensure that the rain water flow is not hindered.
- On-site general standards and regulations for lightning protection must be observed and consultation with a specialist to create a lightning protection concept is recommended (use lightning protection clamp if necessary).

Components

Basic components



1 1001572



PE Baseplate

2 Item number project specific



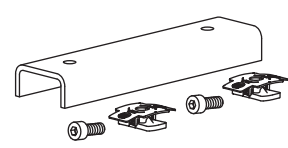
BasicRail

3 1000212

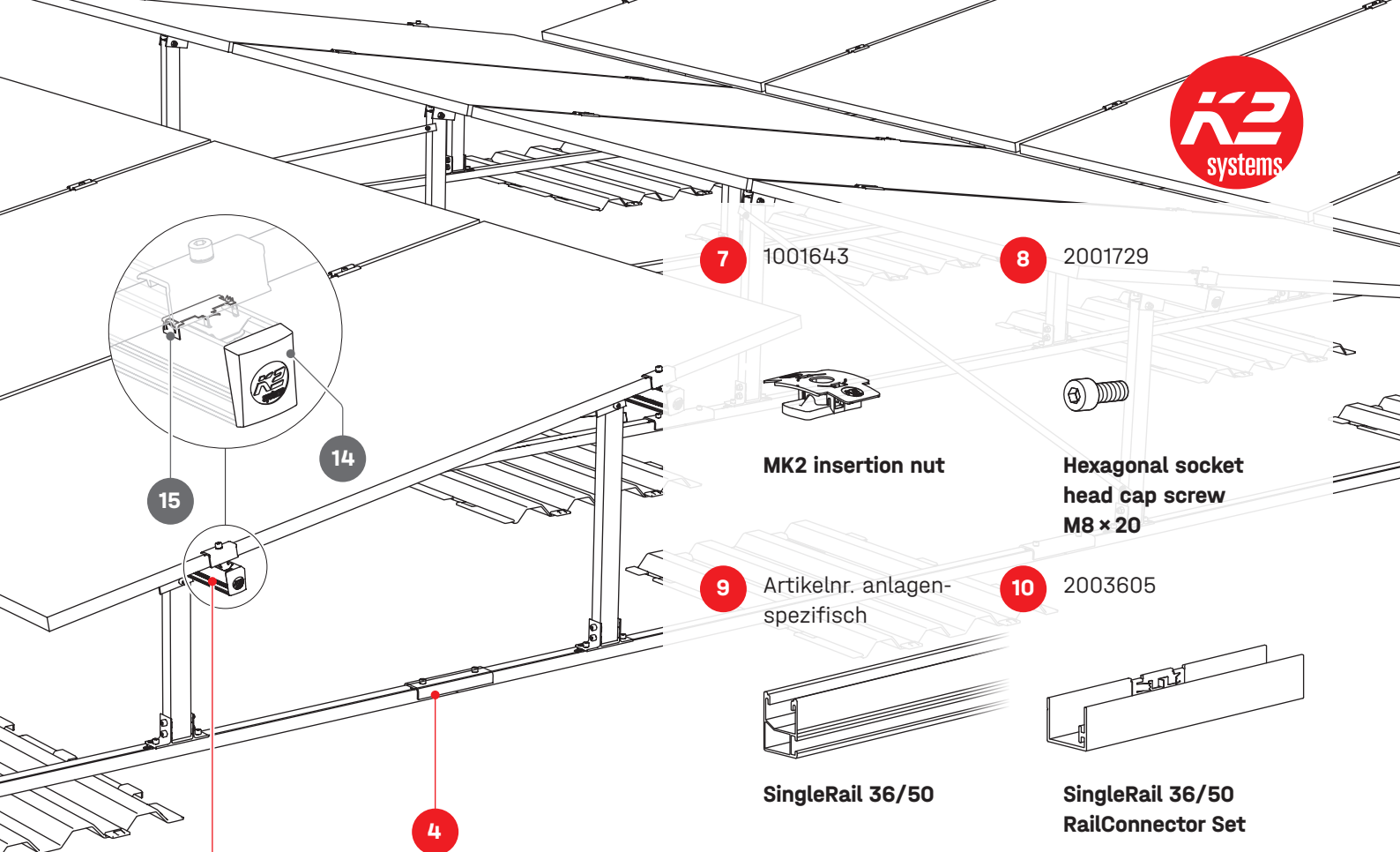


Self-tapping screw with sealing washer 6 x 25

4 1006039



Dome FlatConnector Set



7 1001643

8 2001729



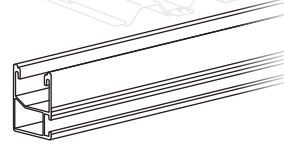
MK2 insertion nut



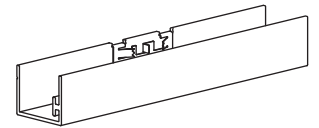
Hexagonal socket head cap screw M8 x 20

9 Artikelnr. anlagen-spezifisch

10 2003605



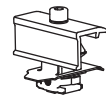
SingleRail 36/50



SingleRail 36/50 RailConnector Set

11 Item number project specific

12 Item number project specific

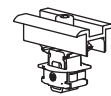


K2 Clamp EC 25-40



XS Clamp EC 30 / 33 / 35

Module end clamps silver/black



K2 Clamp MC 25-40

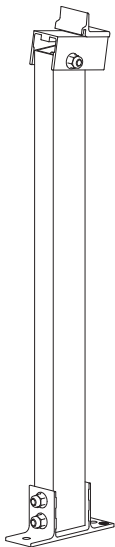


XS Clamp MC 30 / 33 / 35

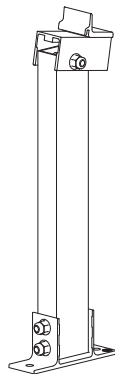
Module middle clamps silver/black

5 2005170/2005171

6 2005169

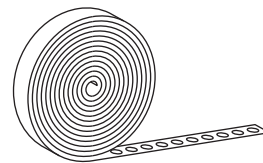


10° GreenRoof 2.0 Support 576
15° GreenRoof 2.0 Support 674



GreenRoof 2.0 Support 376

13 2005183



Metal perforated tie for wind bracing

14 Item number project specific

15 2004231



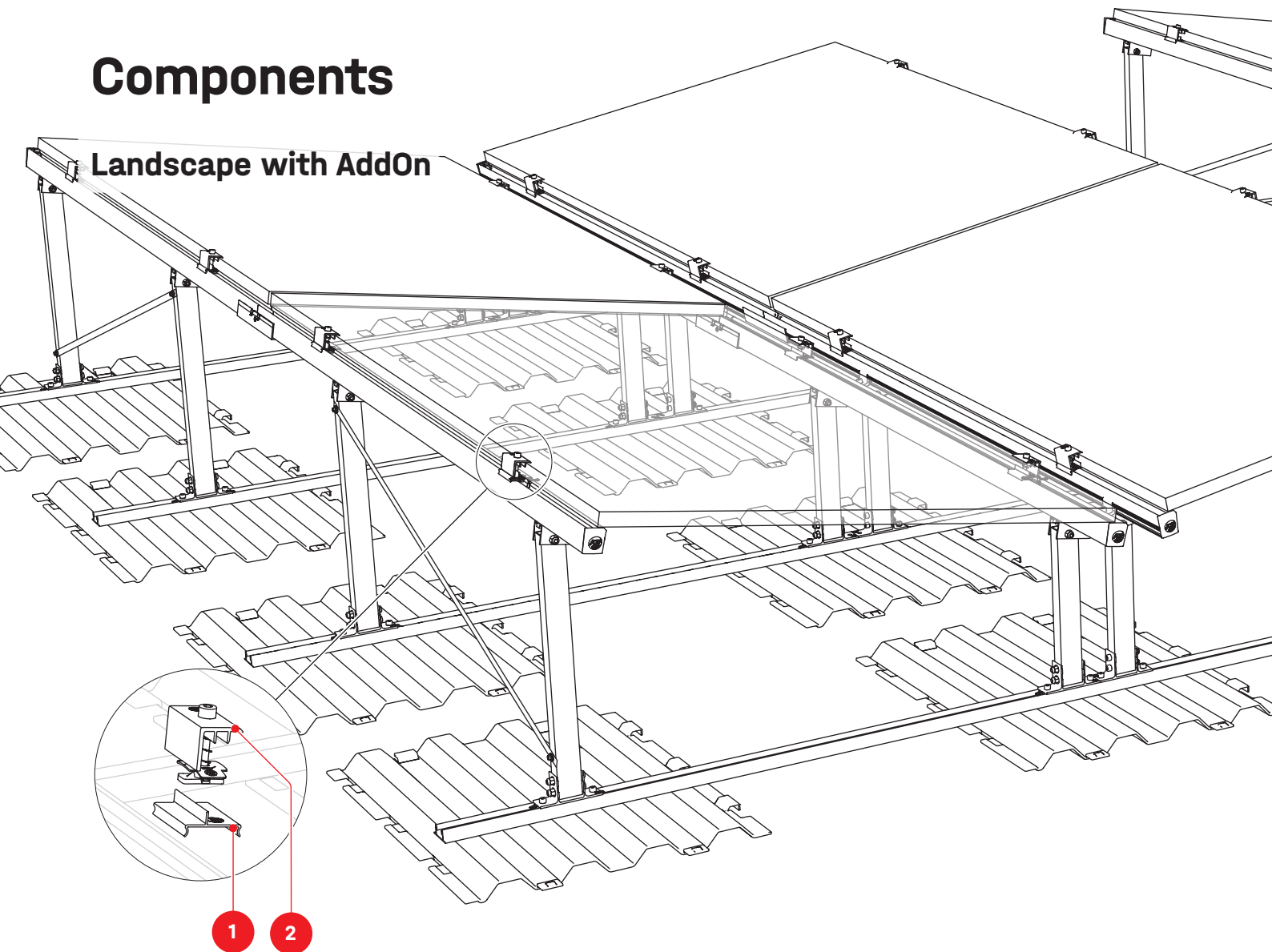
EndCap for SingleRail



TerraGrif QL

Components

Landscape with AddOn



1 2004629

2 Item number project specific




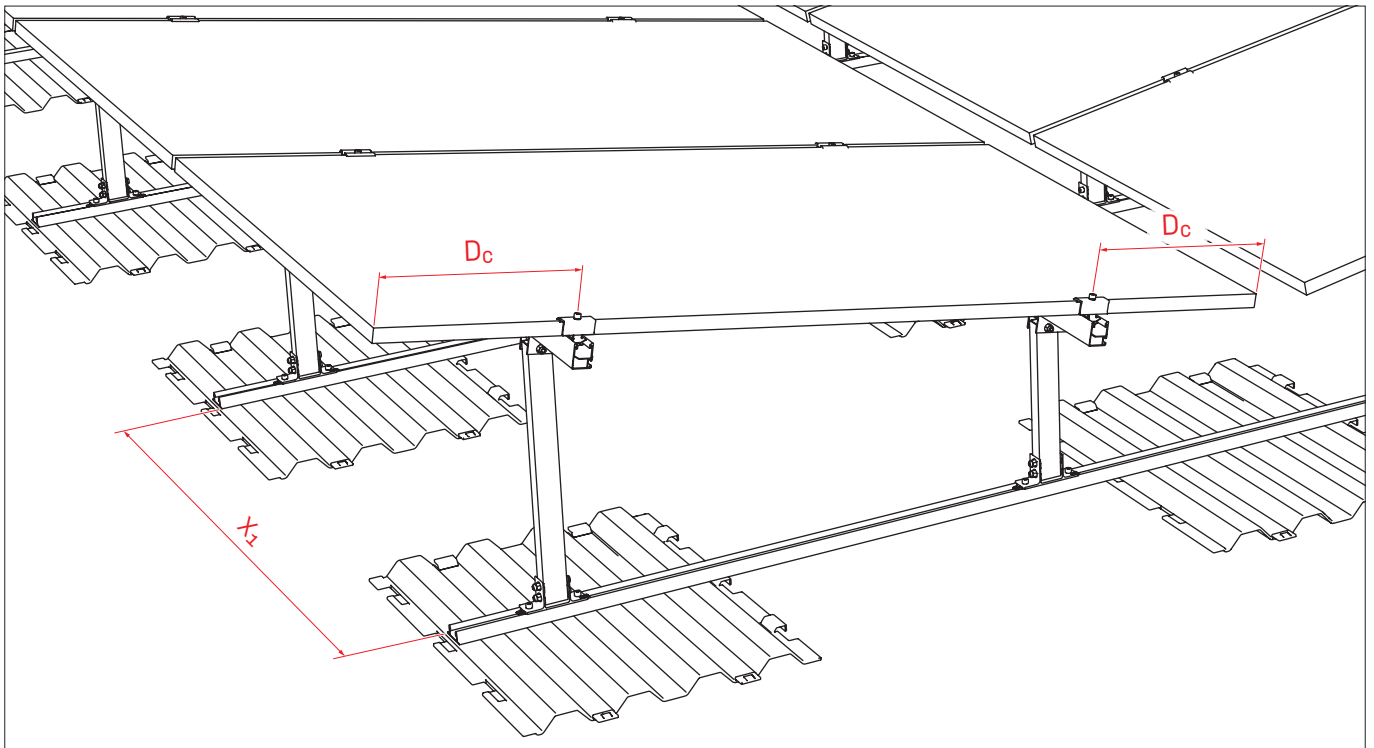
AddOn XS



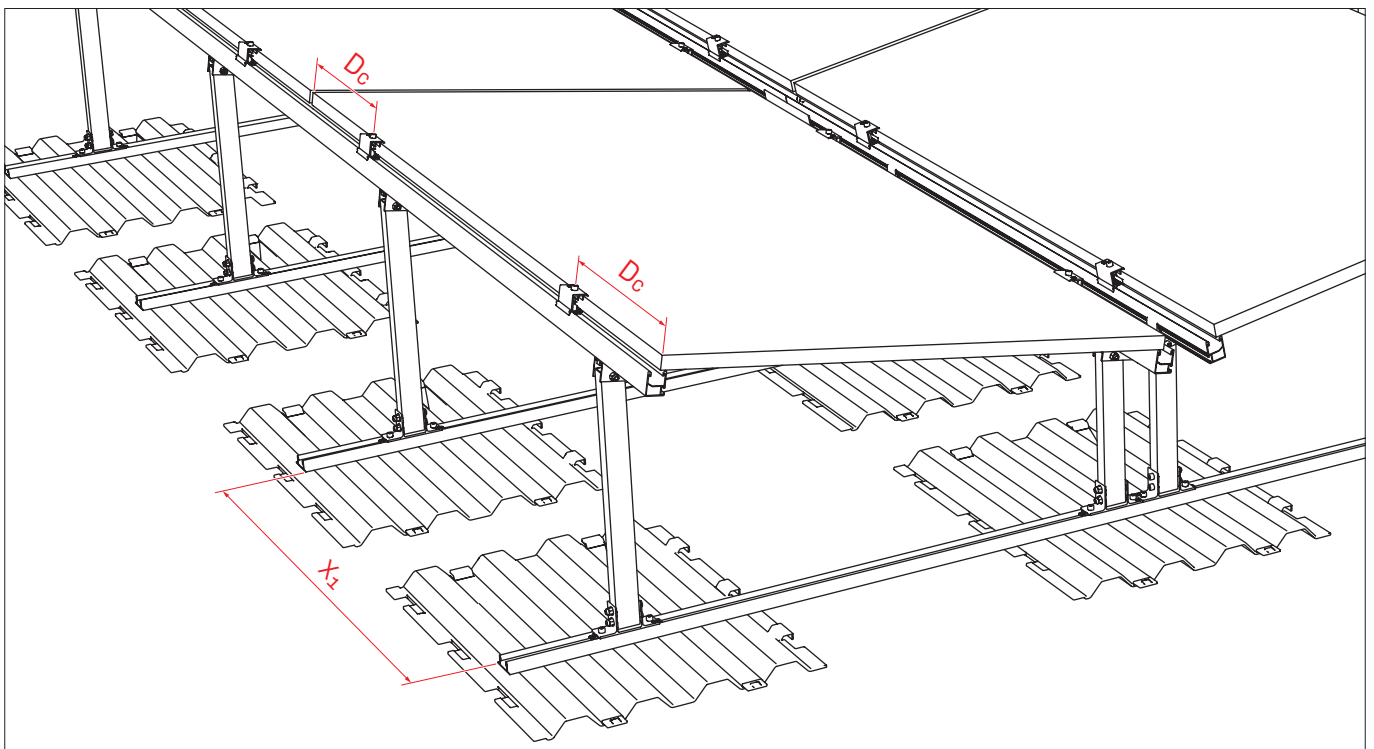
XS End Clamp
30 / 33 / 35
silver/black

Assembly dimensions

Portrait 



Landscape 

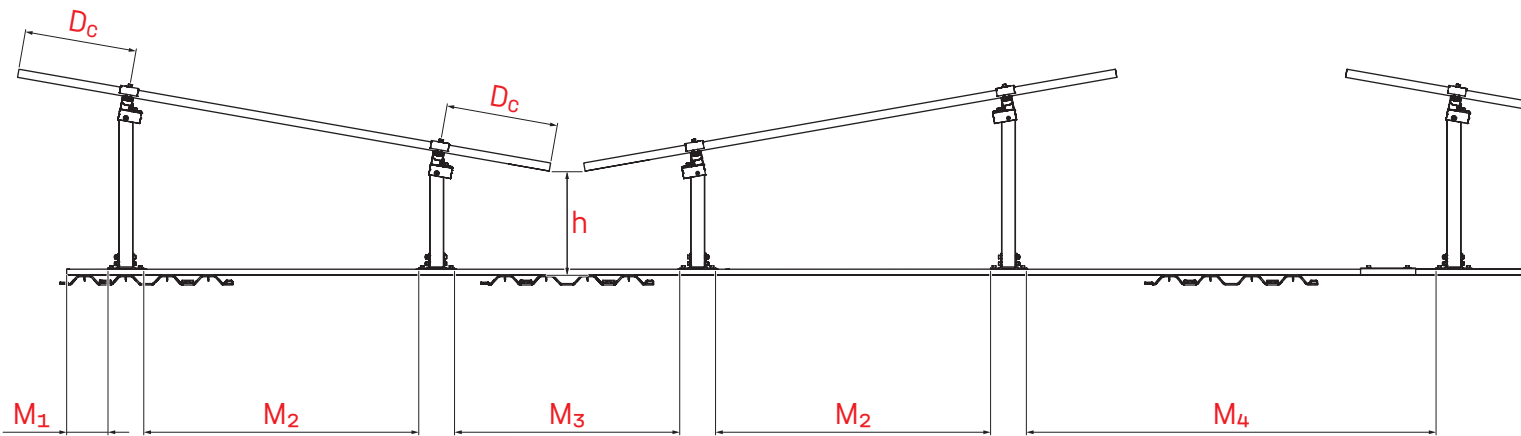


V-Shape Portrait

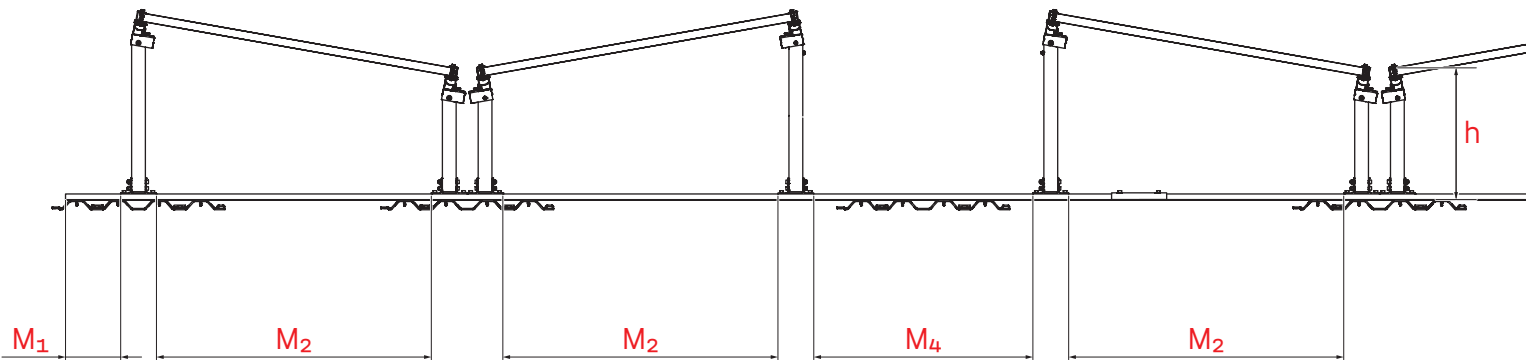


Mounting dimensions from K2 Base

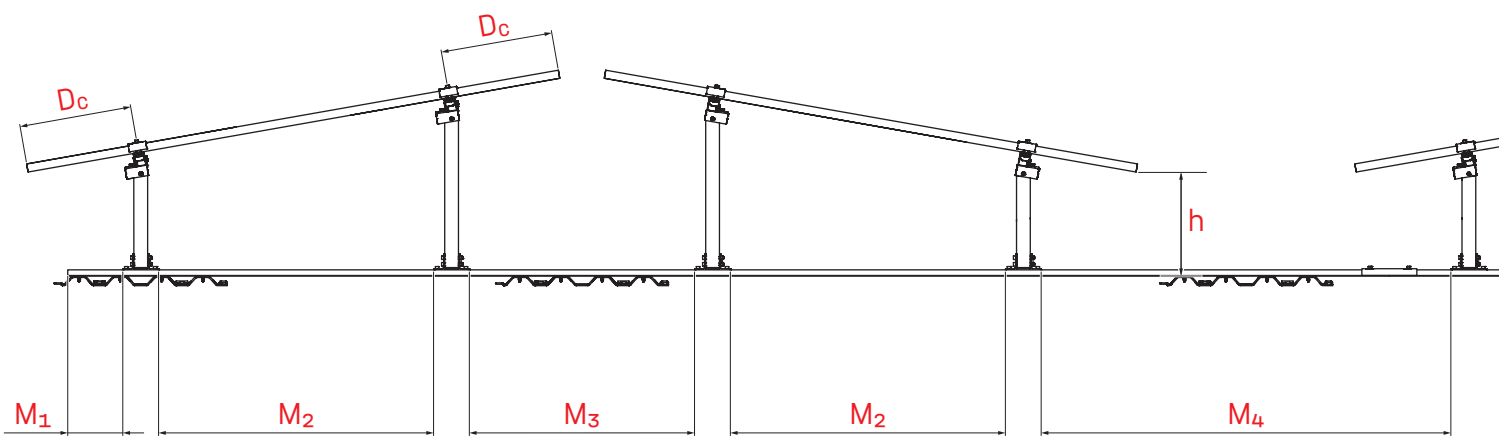
K2 Base calculates all the following dimensions automatically and outputs them in the project report. Please only use these dimensions for the assembly.



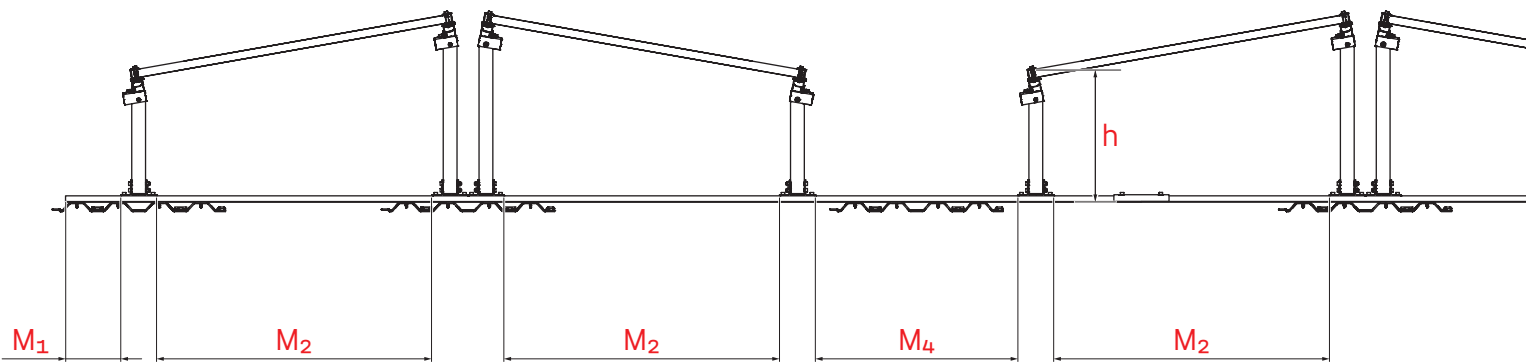
V-Shape Landscape



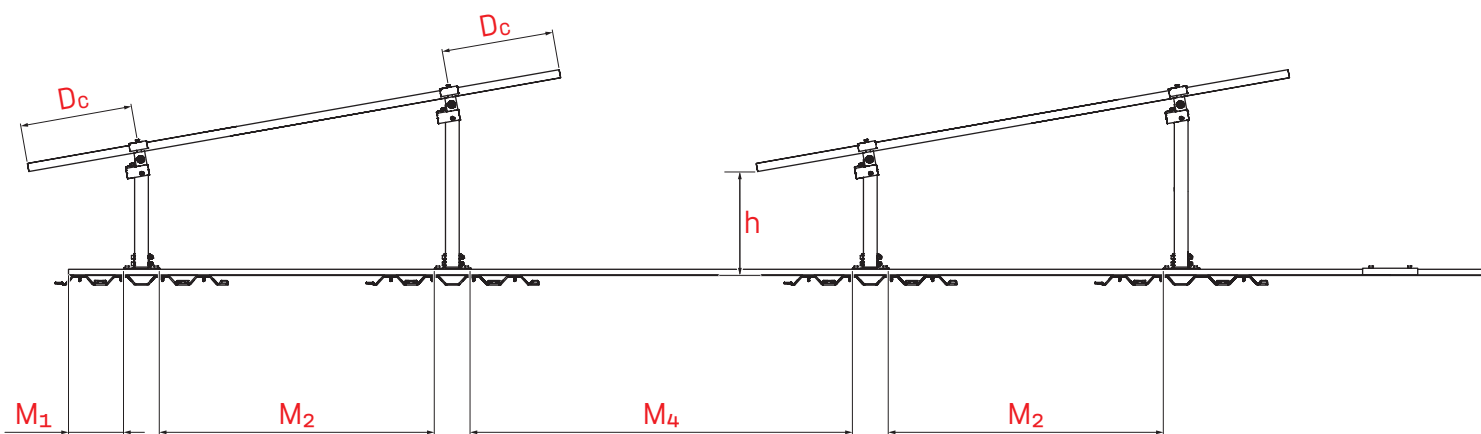
A-Shape Portrait



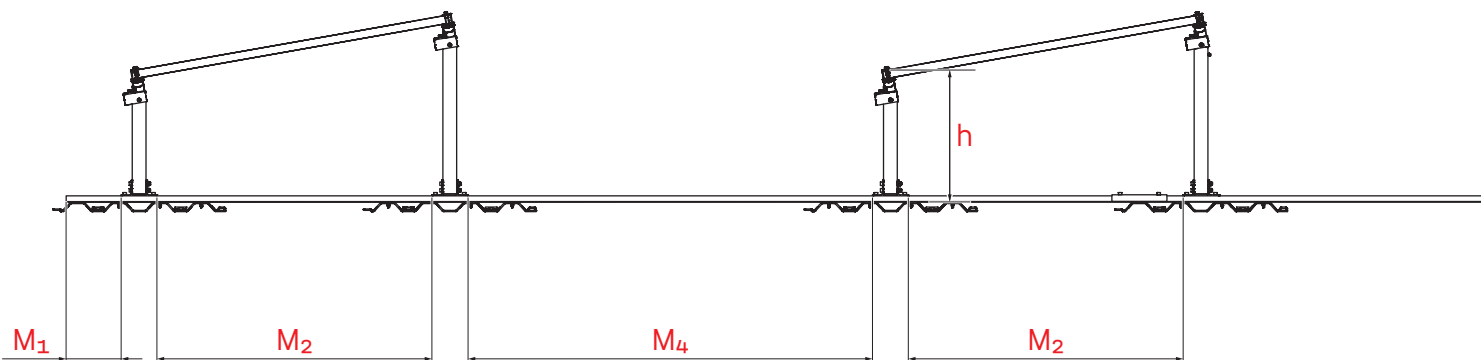
A-Shape Landscape



S-Shape Portrait

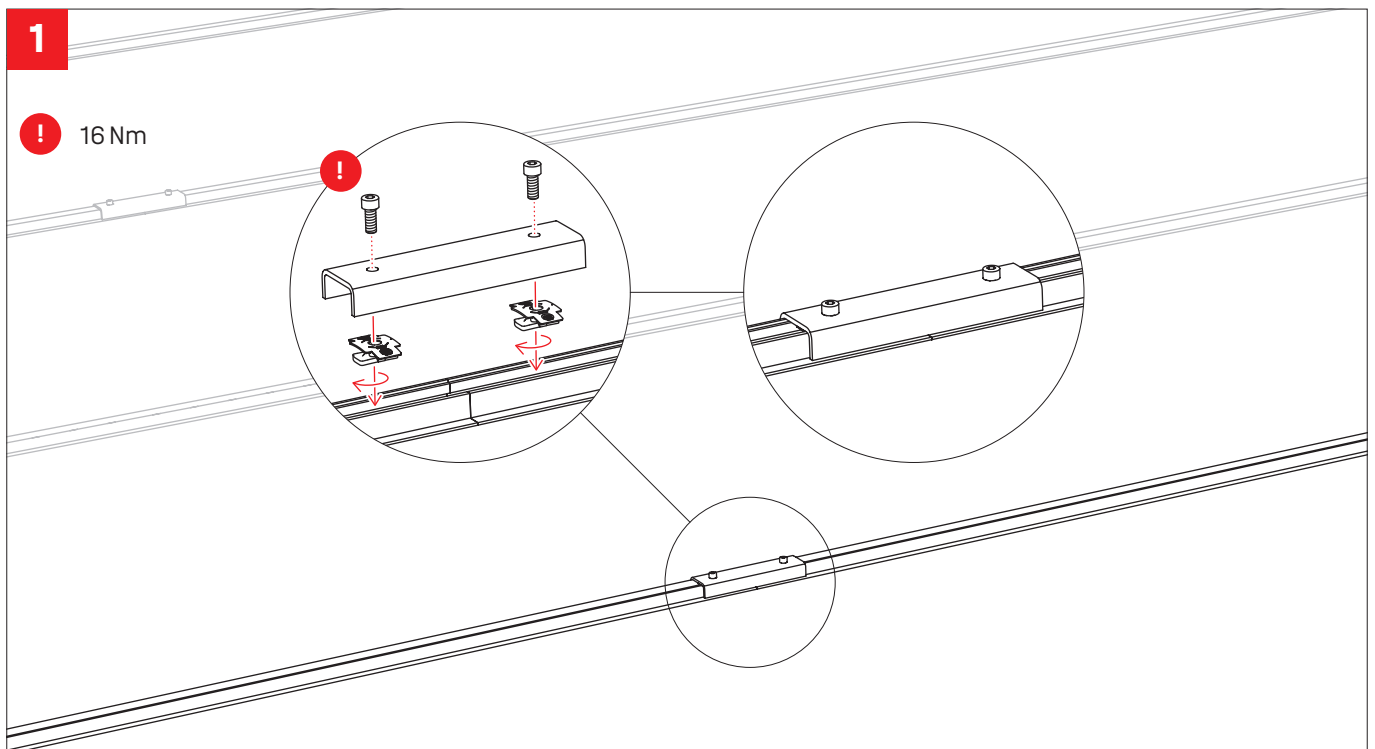
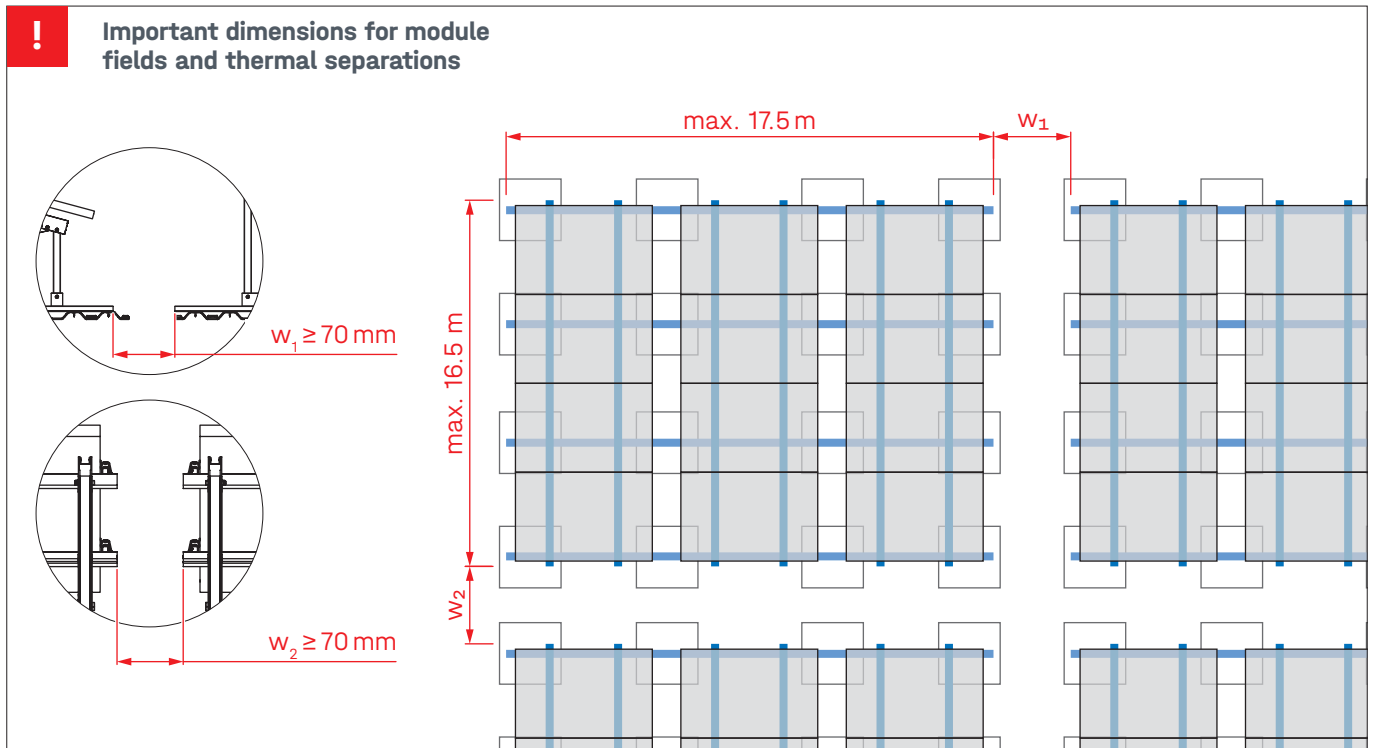


S-Shape Landscape



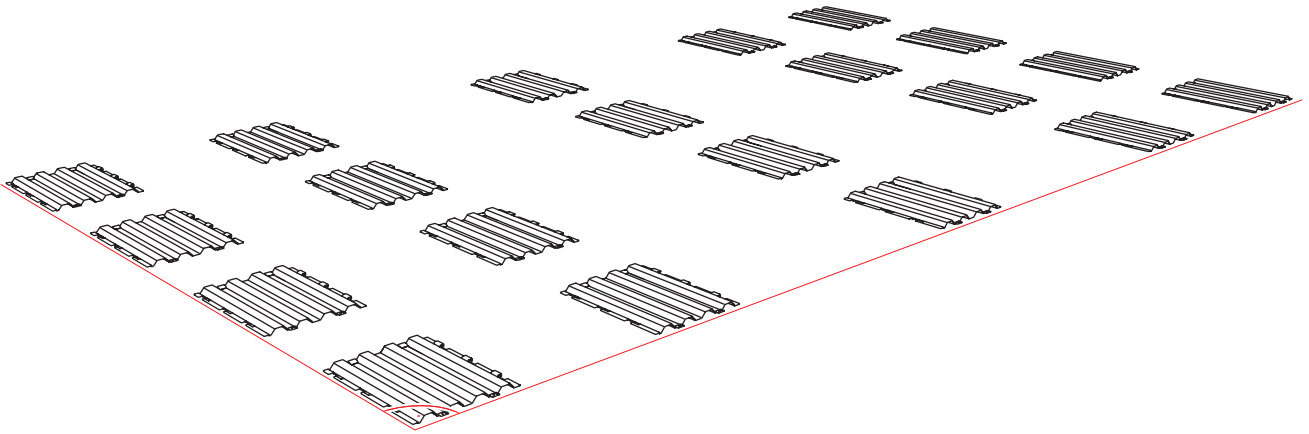
Assembly

Thermal separations



2

Place the PE plates according to the K2 Base installation plan.

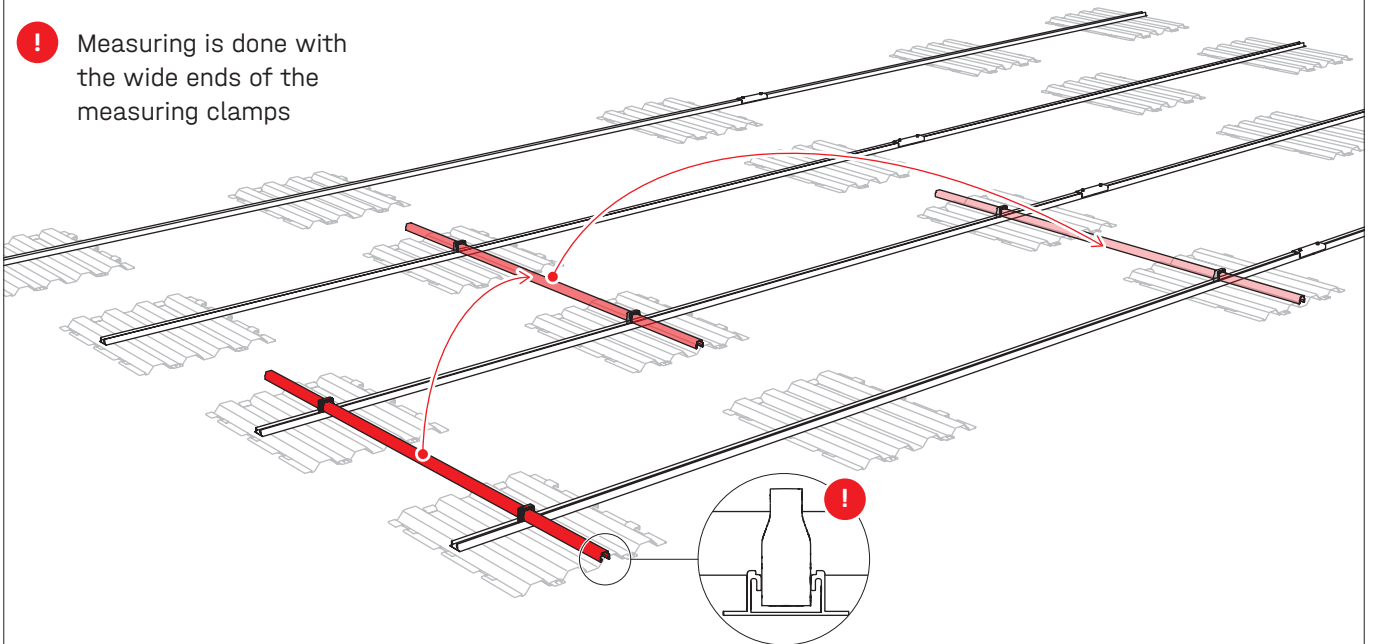


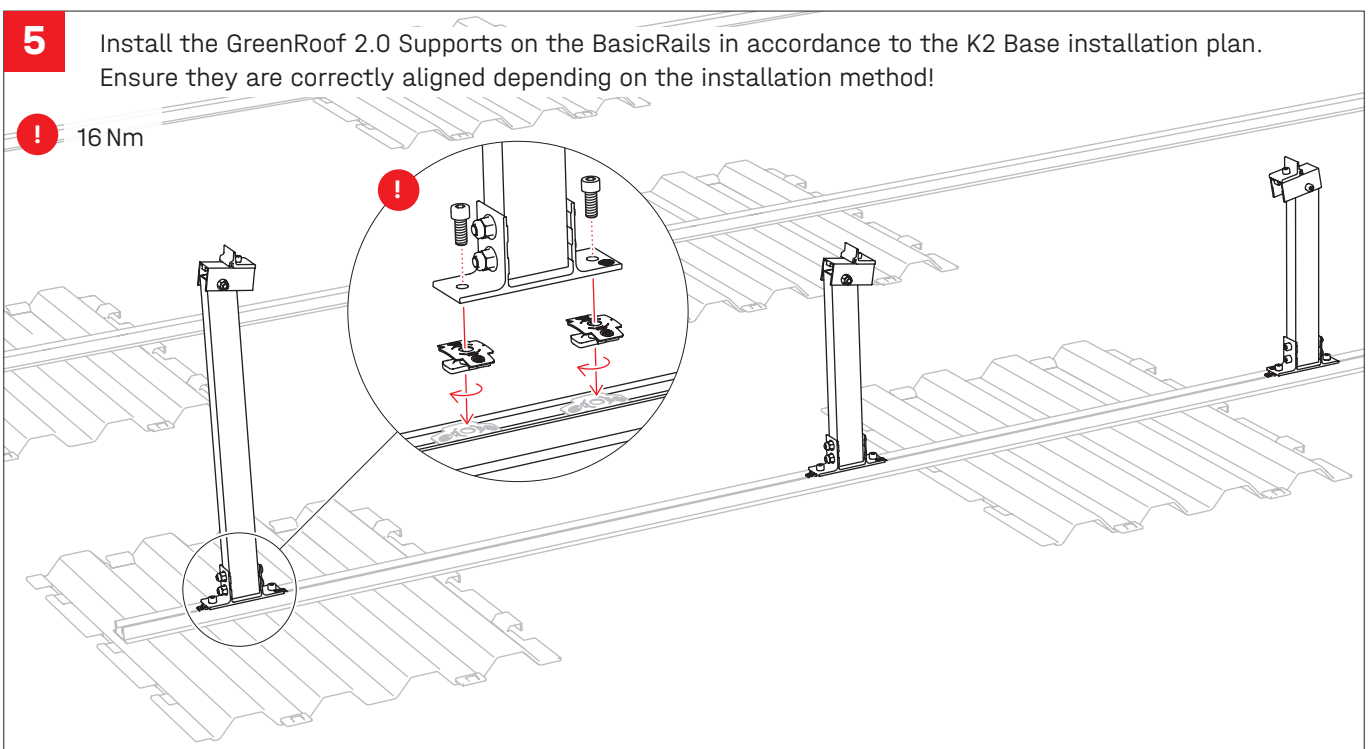
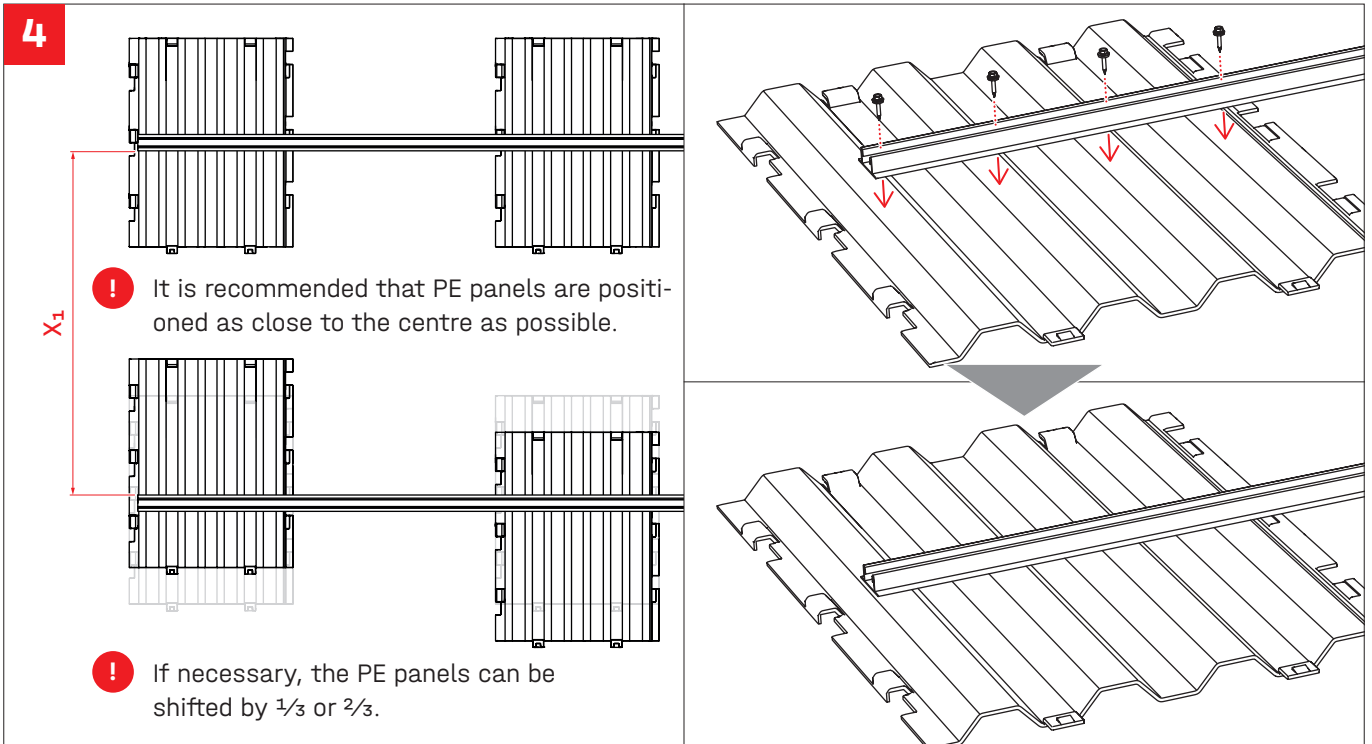
3

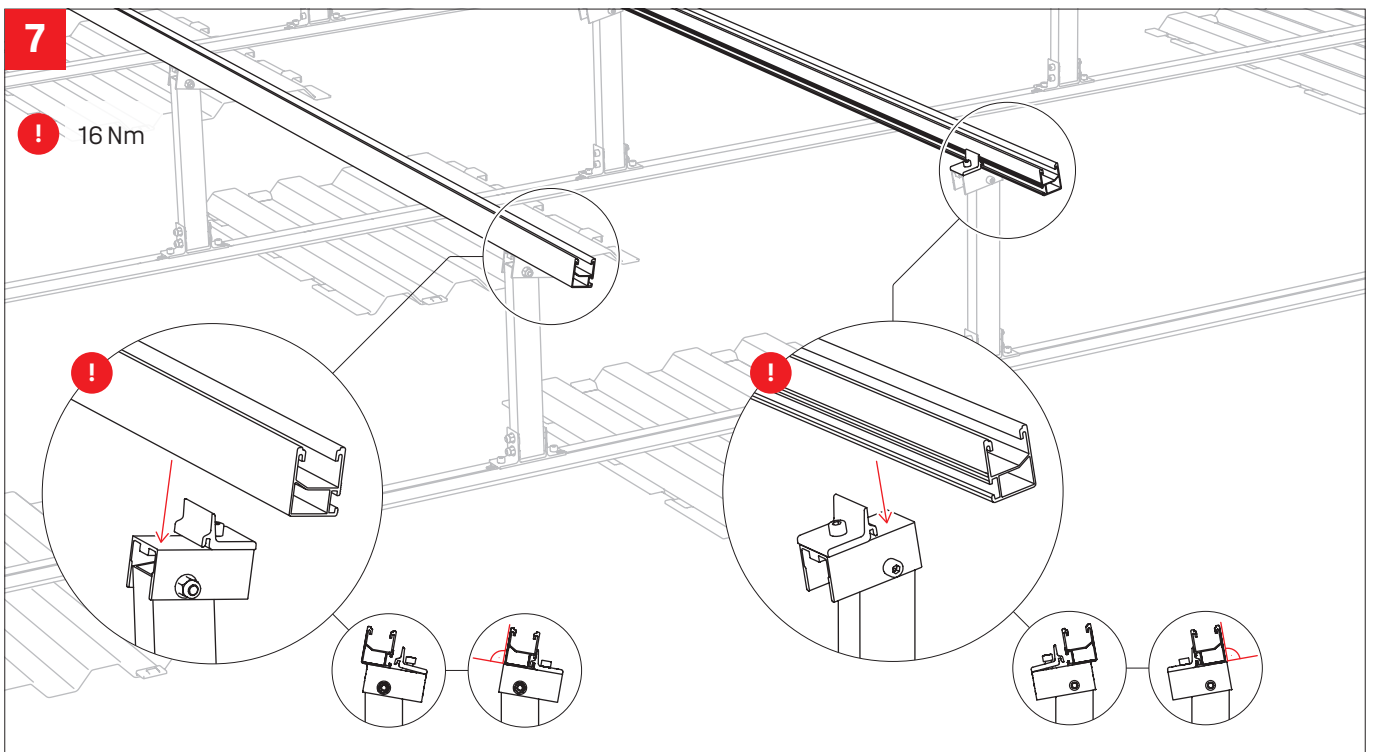
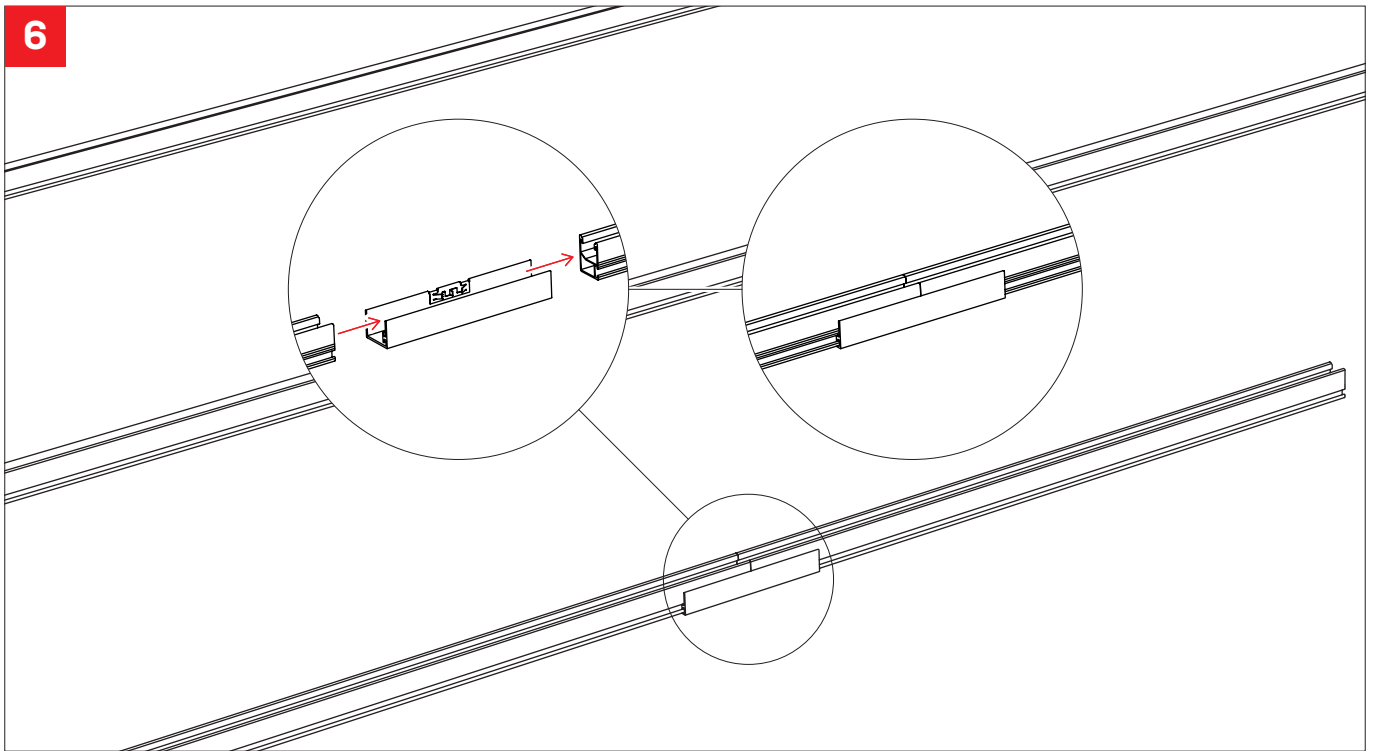
The Dome Speed Spacer (2004129) can be used as distance template.

!

Measuring is done with the wide ends of the measuring clamps

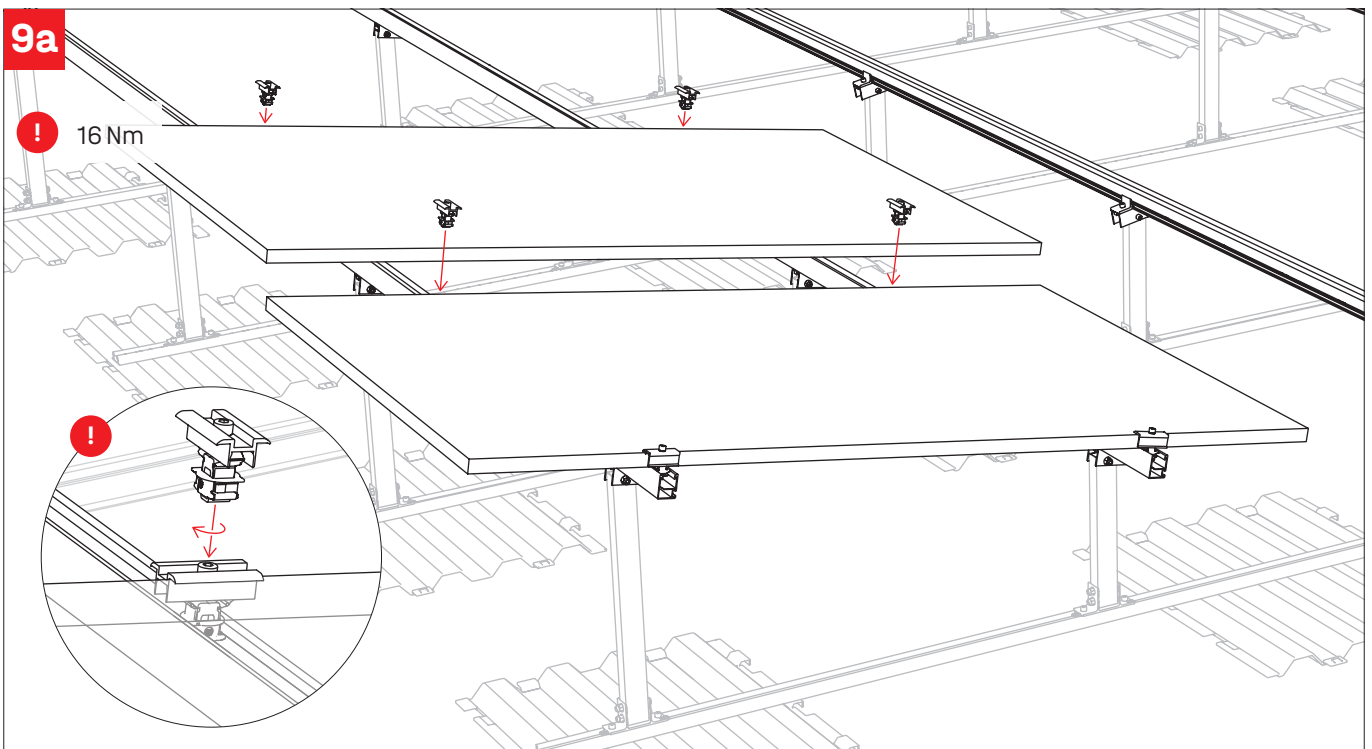
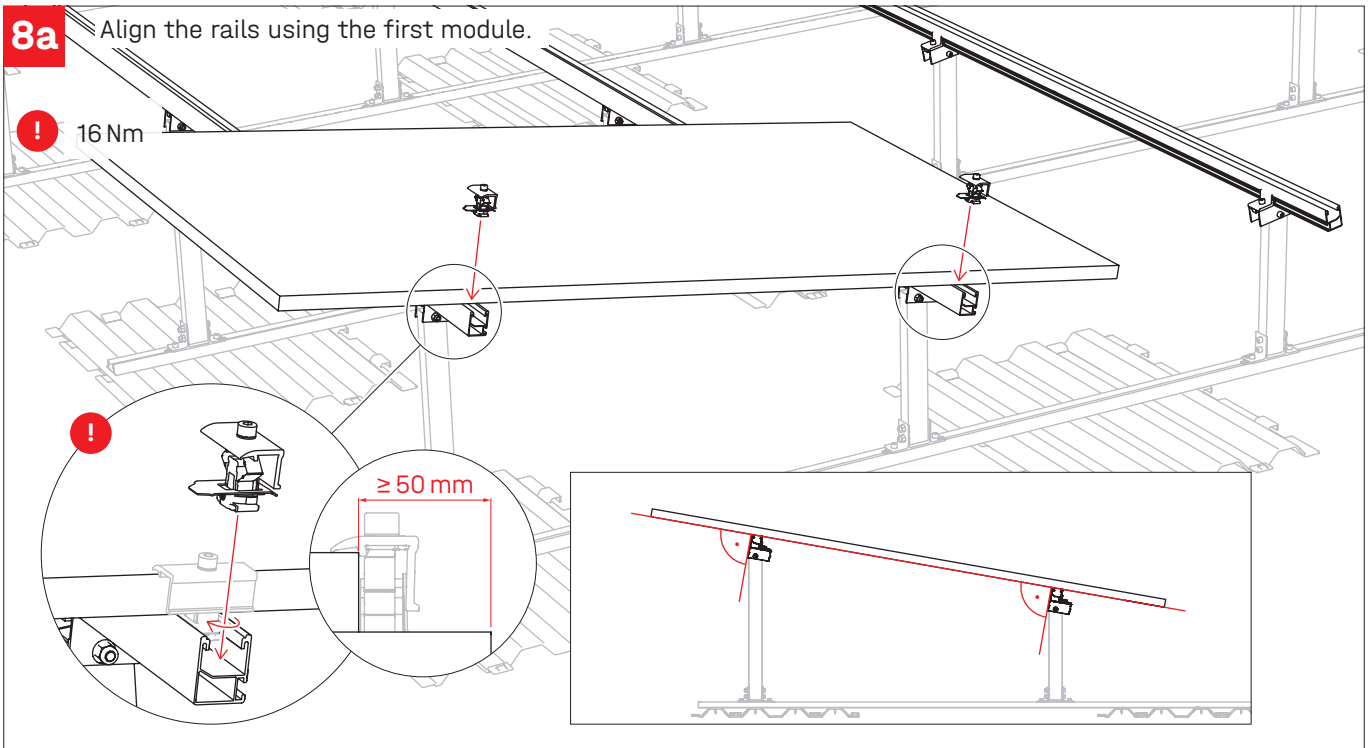






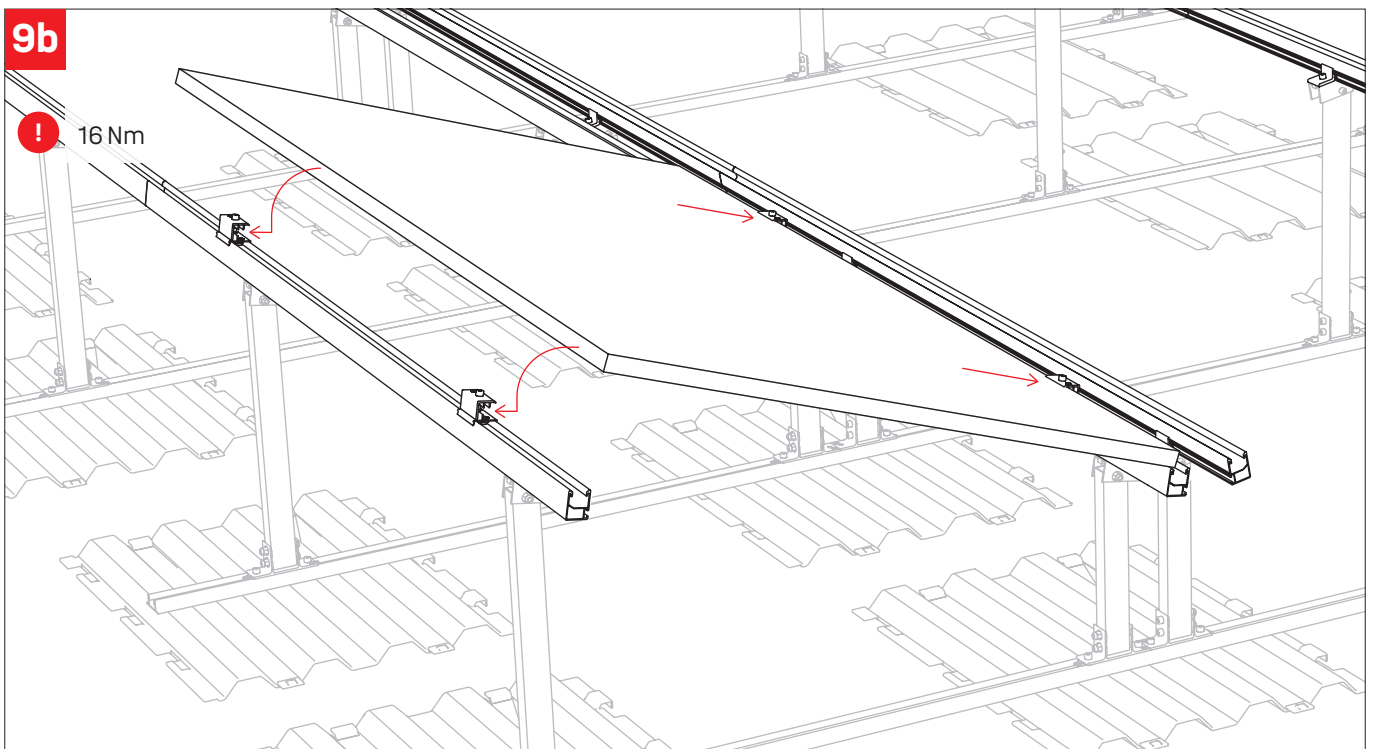
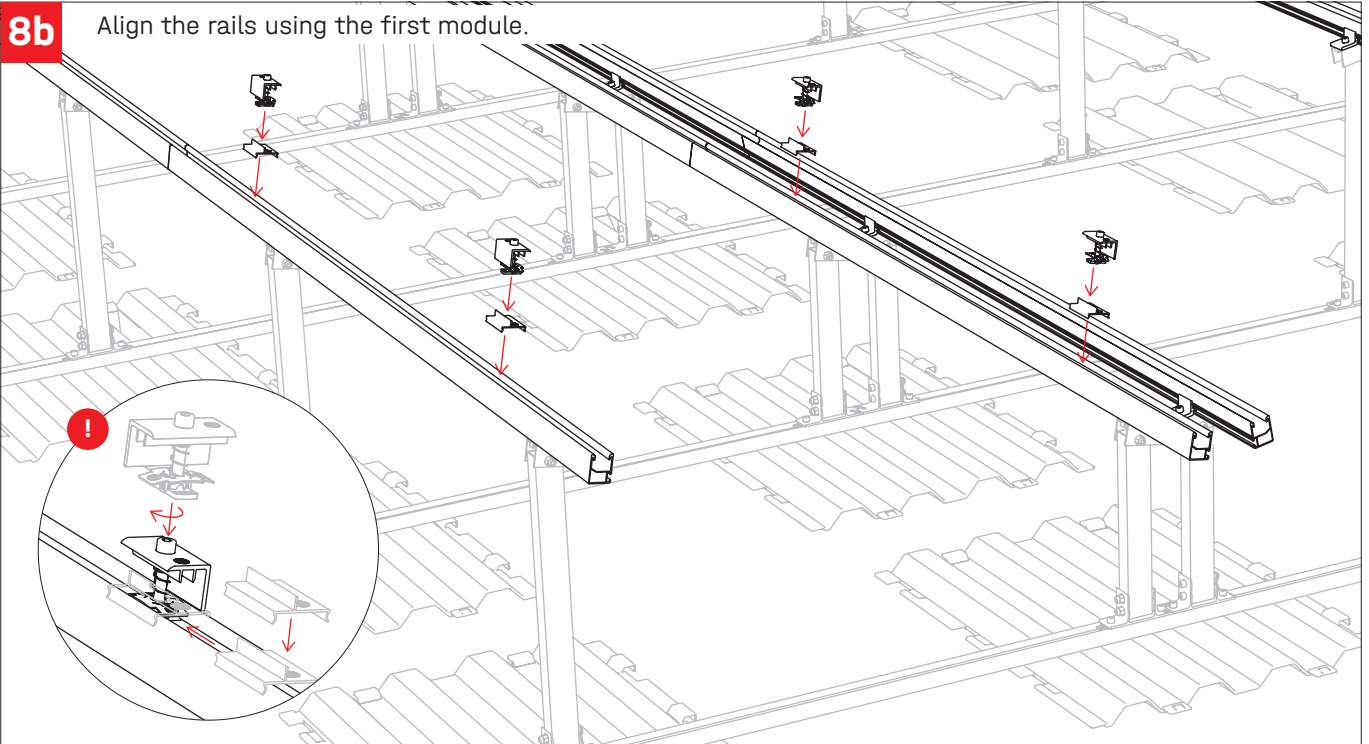


Modul assembly portrait with K2 Clamp or XS-Clamp

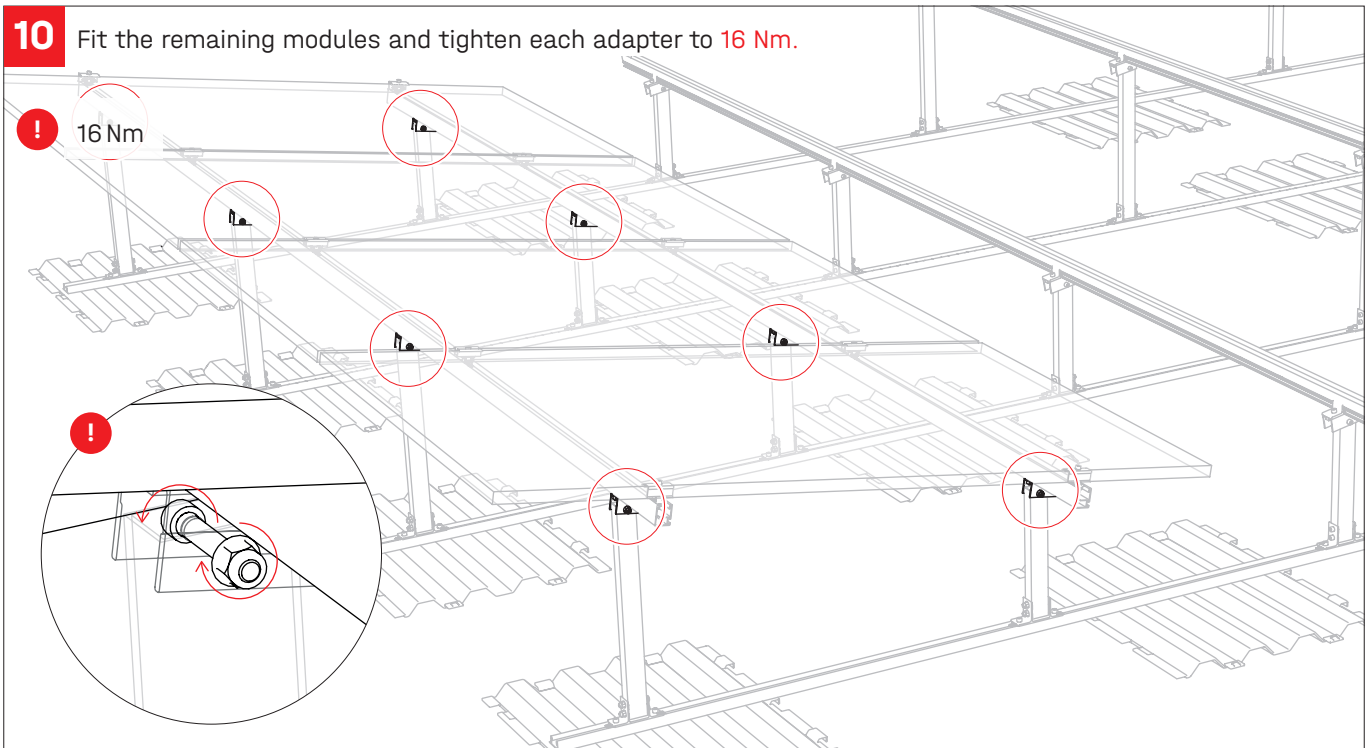




Modul assembly landscape with XS-Clamp and AddOn XS

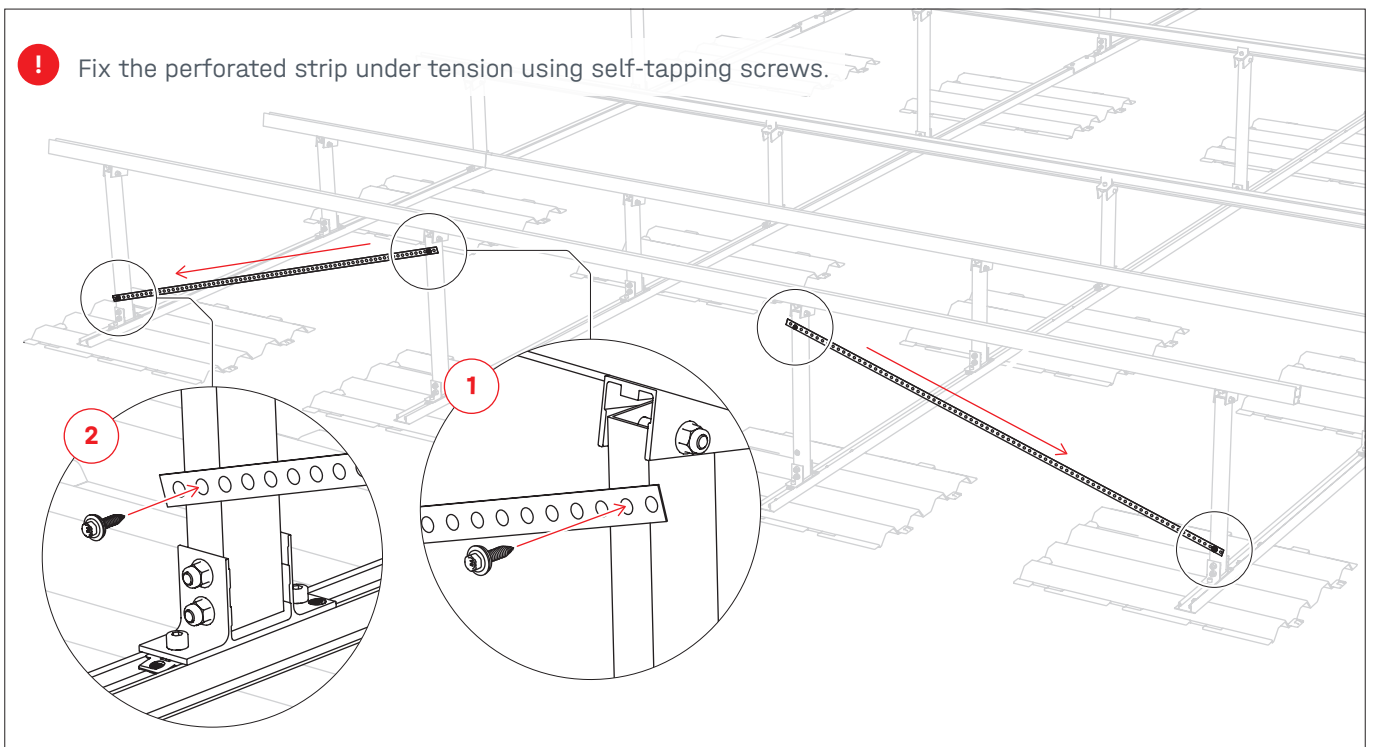


10 Fit the remaining modules and tighten each adapter to **16 Nm**.



Wind bracing

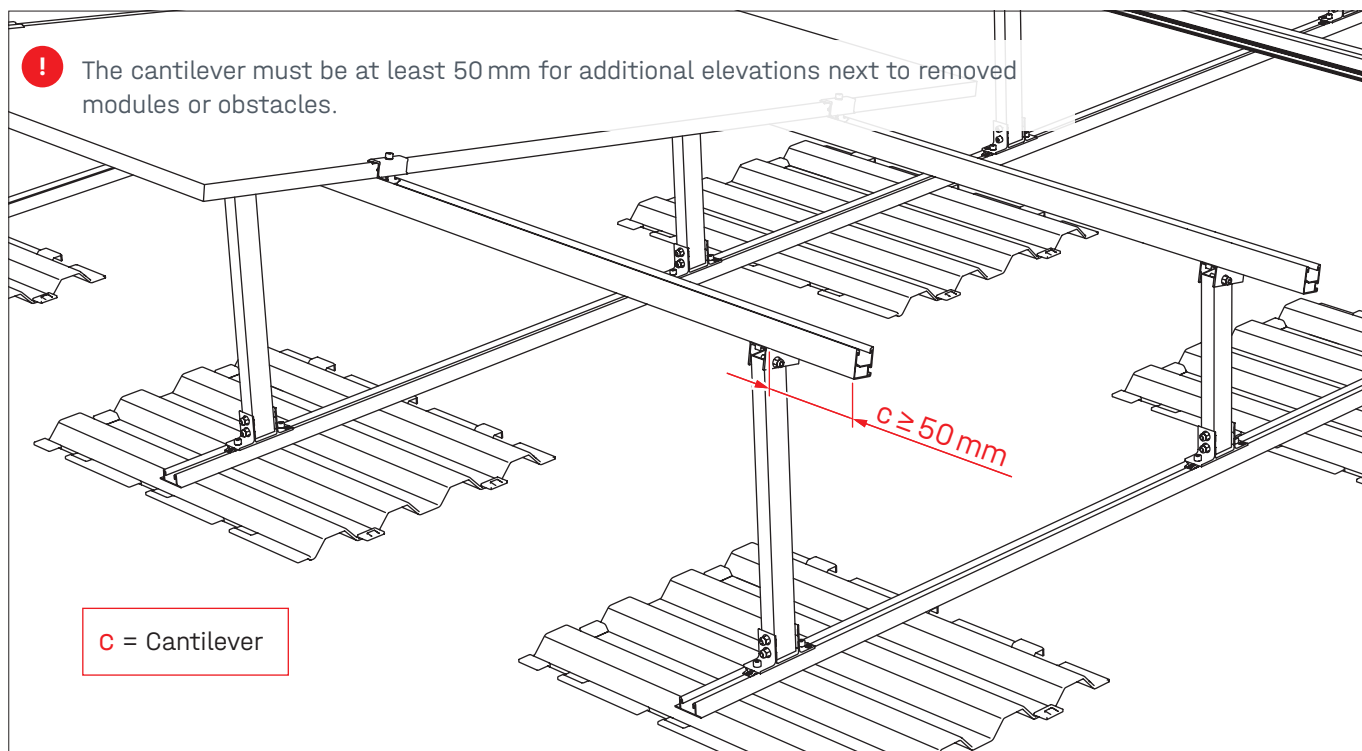
! Fix the perforated strip under tension using self-tapping screws.



Cantilever

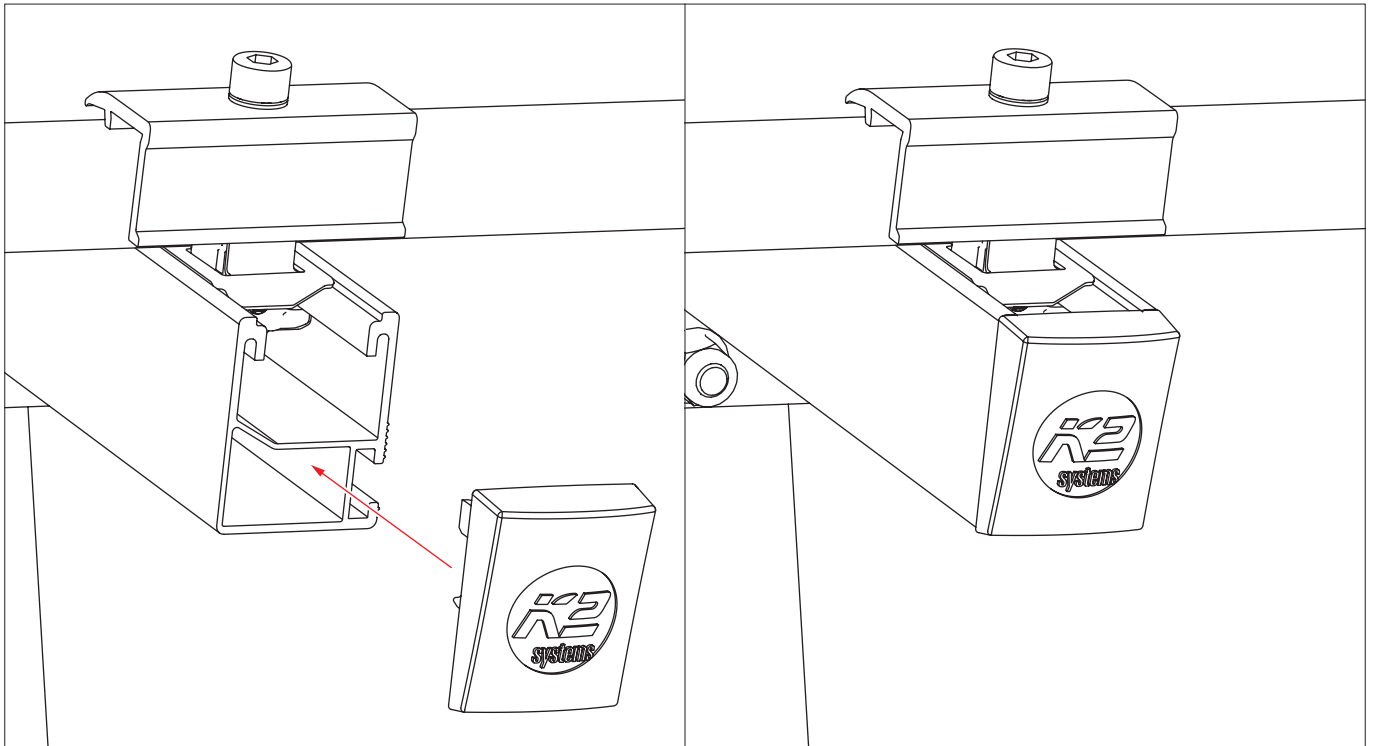


The cantilever must be at least 50 mm for additional elevations next to removed modules or obstacles.

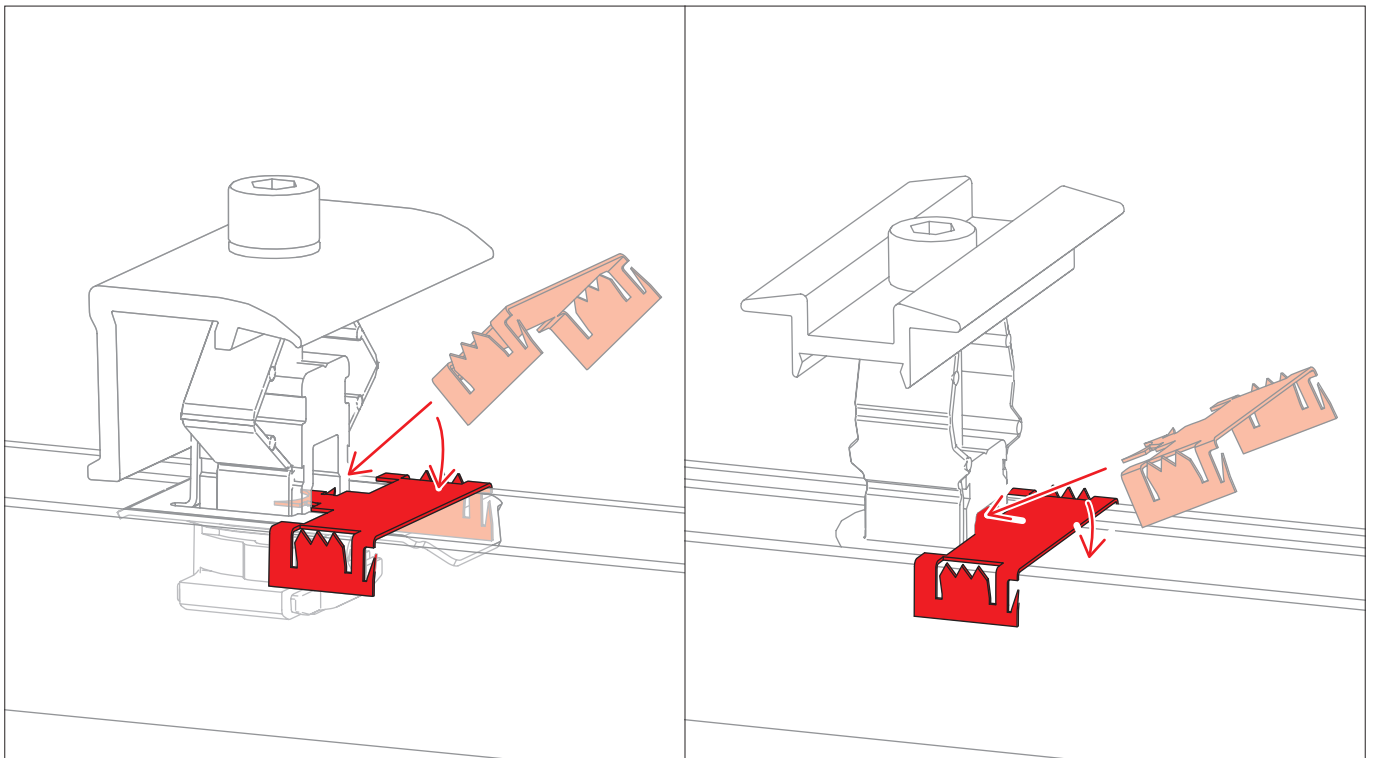


Optional assembly steps

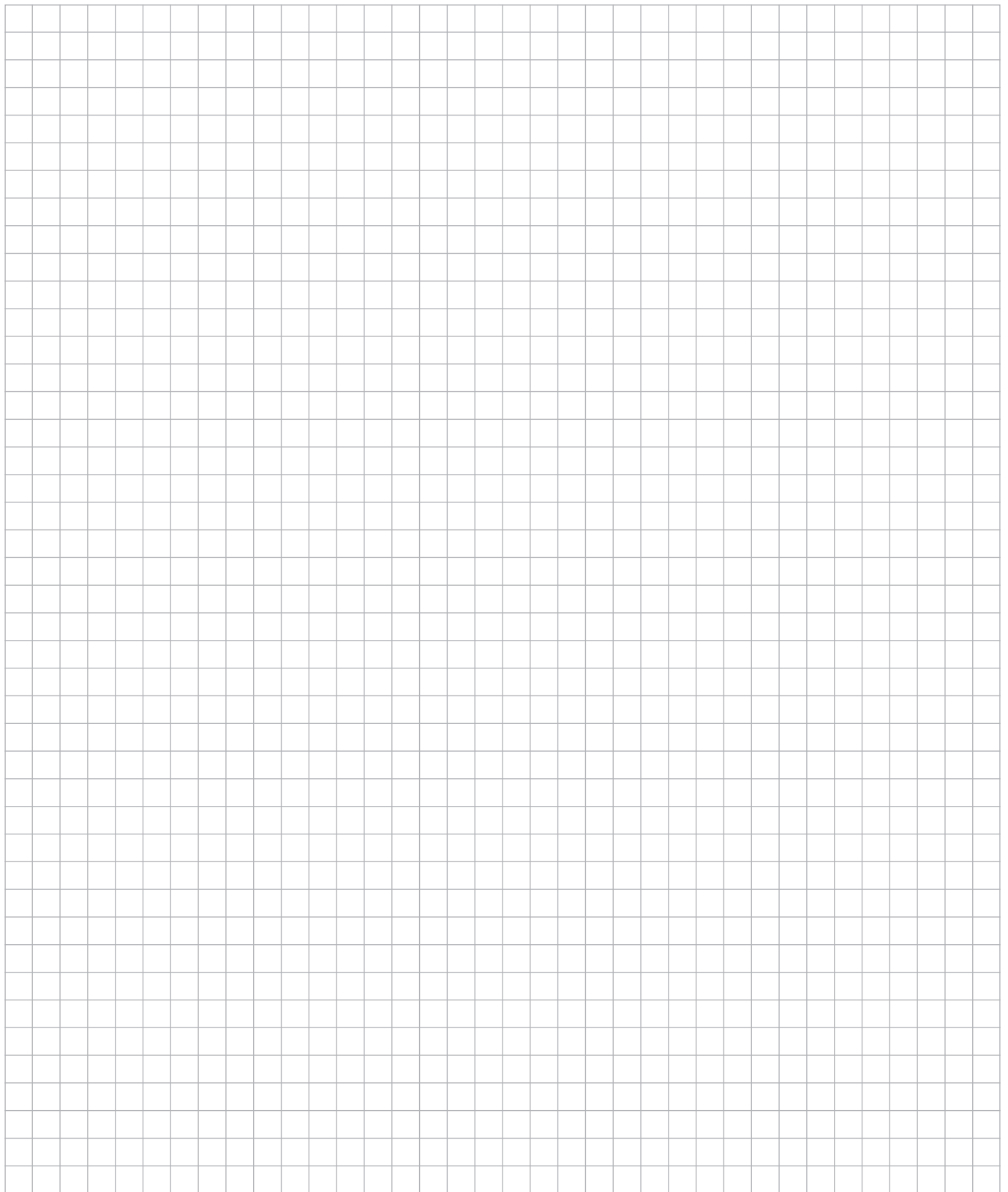
EndCap



TerraGrif QL



Notes







Connecting Strength

Thank you for choosing a K2 mounting system.

Mounting systems from K2 Systems are quick and easy to install. We hope these instructions have helped. Please contact us with any questions or suggestions for improvement. Our contact data:

- k2-systems.com/en/contact
- **Service Hotline: +49 (0)7159 42059-0**

Our General Terms of Business apply. Please refer:
k2-systems.com

K2 Systems GmbH

Haldenstraße 1 · 71272 Renningen · Germany
+49 (0) 7159 - 42059 - 0 · info@k2-systems.com · k2-systems.com

GreenRoof 2.0 Assembly EN V1 | 0626 · Subject to change · Product illustrations are exemplary and may differ from the original.