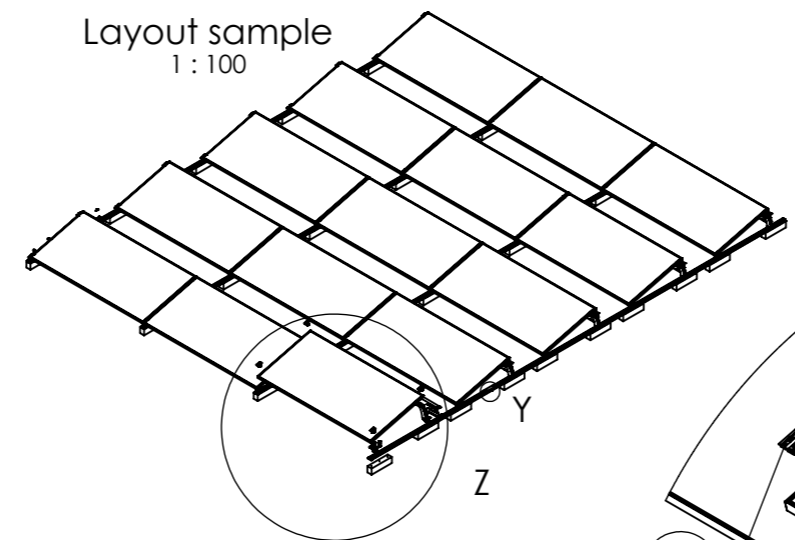
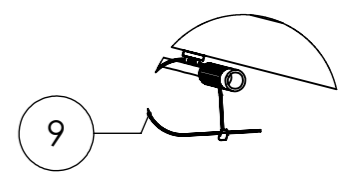


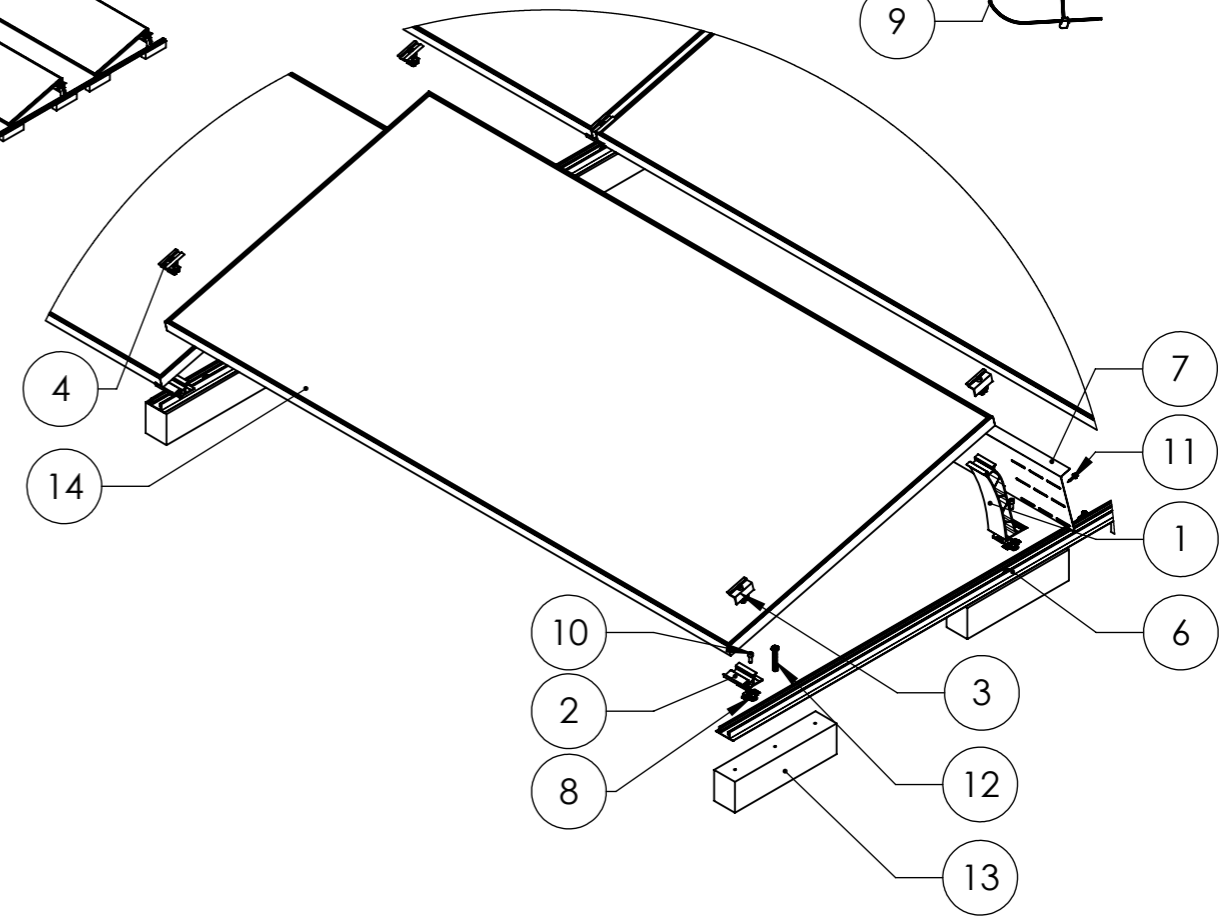
Layout sample
1 : 100



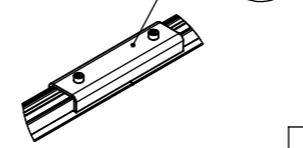
Detail Y
1 : 5




Detail Z



Detail Y
1 : 10



| Pos.No. | Designation | optional |
|---------|--|----------|
| 1 | Dome 6.15 Peak | |
| 2 | Dome 6.15 SD | |
| 3 | DomeClamp EC Set | |
| 4 | DomeClamp MC Set | |
| 5 | Dome FlatConnector Set | x |
| 6 | BasicRail 22 | |
| 7 | S-Dome 6.15 Windbreaker | |
| 8 | MK2 | |
| 9 | CableManager | x |
| 10 | Socket haed bolt serrated similar ISO 4762 - M8x20 | |
| 11 | Self tapping screw | |
| 12 | MultiMonti | |
| 13 | Concrete block | |
| 14 | Module | |



K2 Systems GmbH
Industriestr. 18
71272 Renningen
Germany
+49 7159 42059-0

Designation:

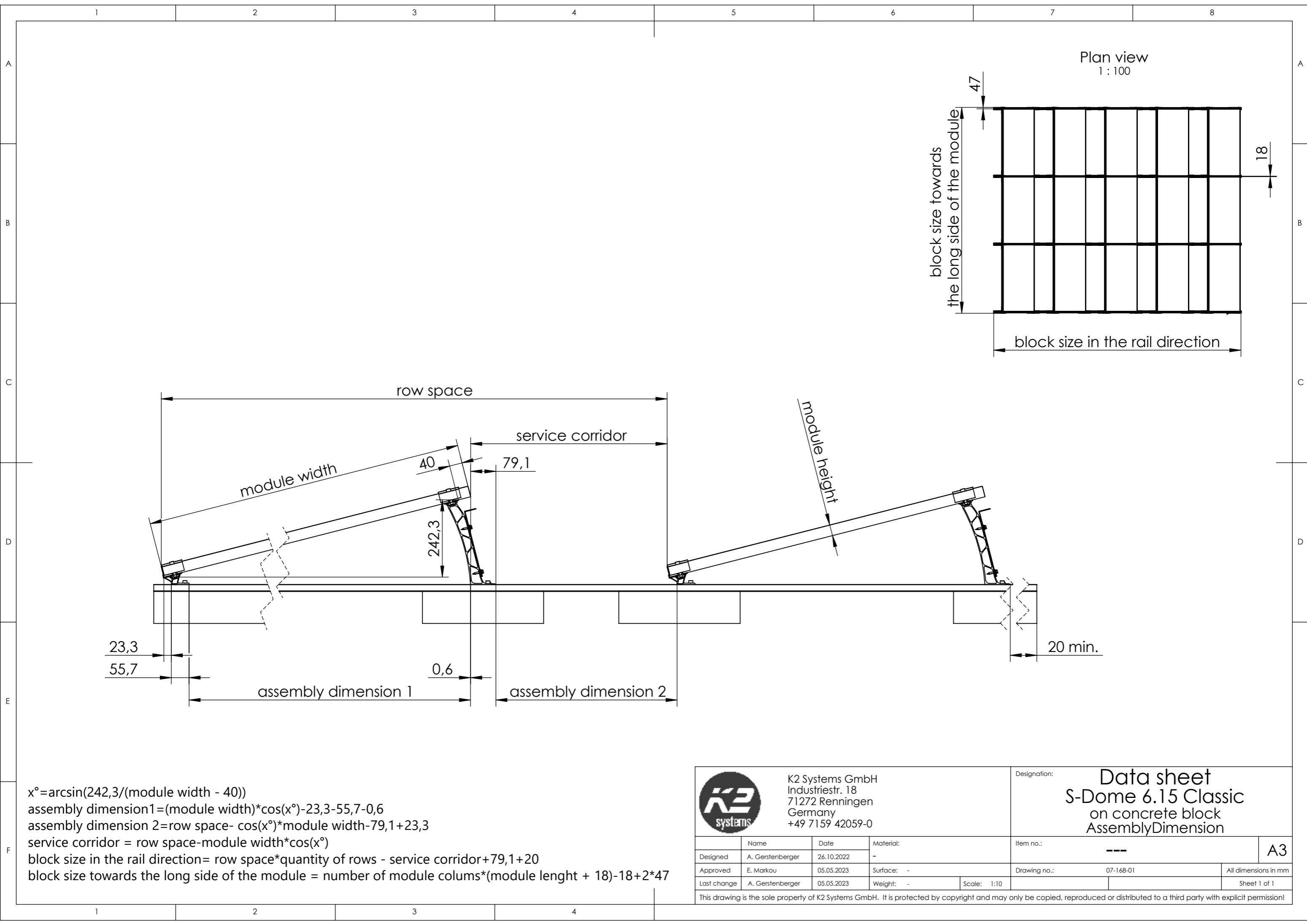
Data sheet

S-Dome 6.15 Classic

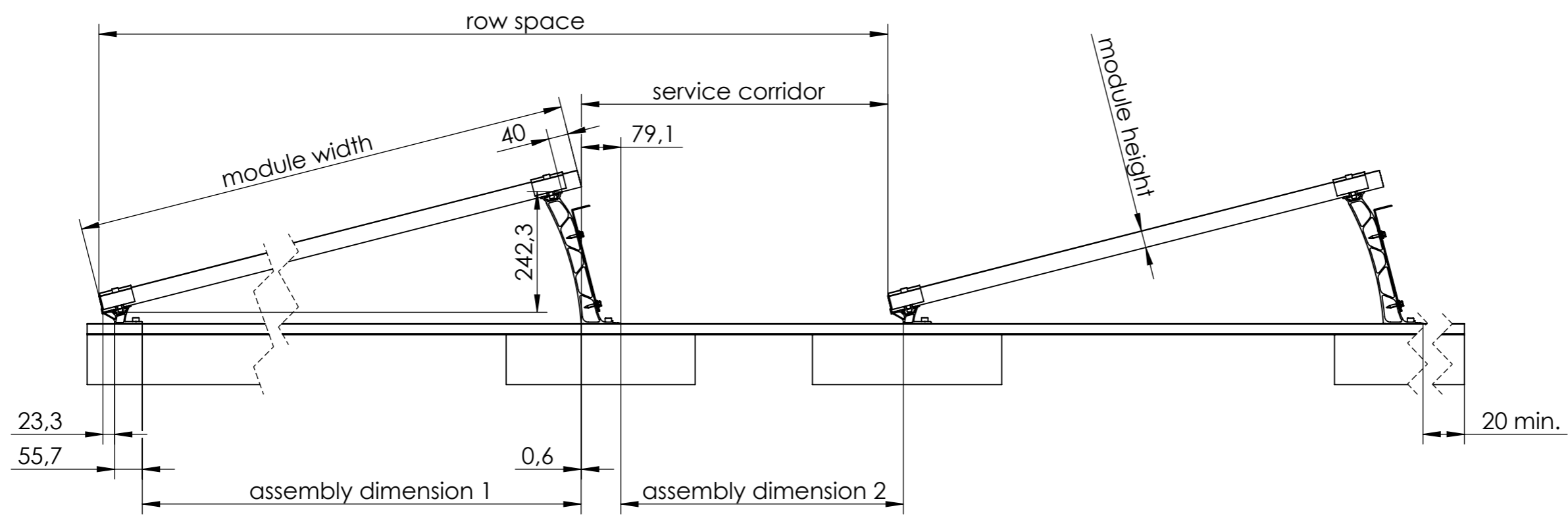
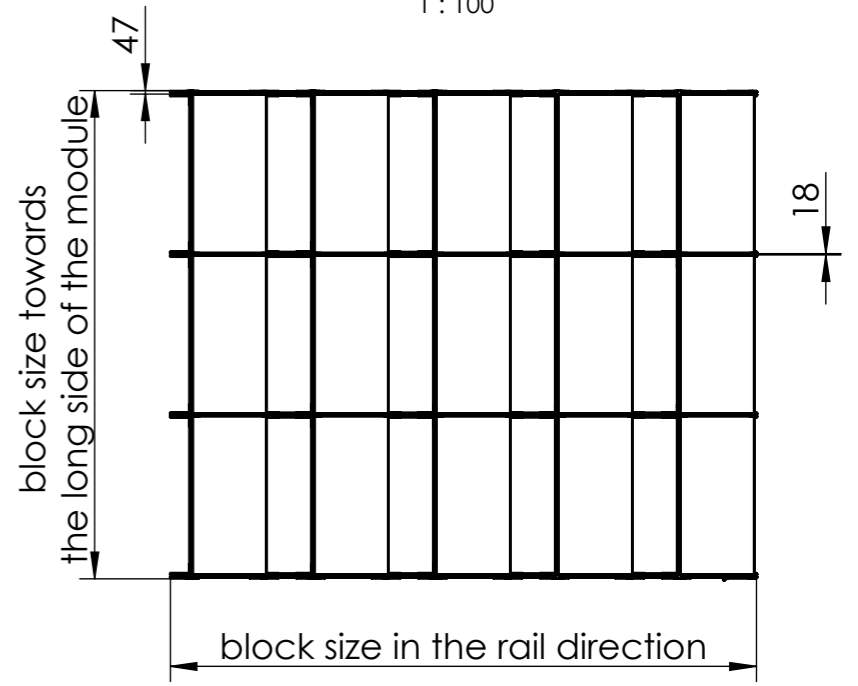
on concrete block

| | | | | | |
|-------------|------------------|------------|-------------|--------------|----------------------|
| | Name | Date | Material: | Item no.: | A3 |
| Designed | A. Gerstenberger | 26.10.2022 | - | --- | |
| Approved | E. Markou | 05.05.2023 | Surface: - | Drawing no.: | All dimensions in mm |
| Last change | A. Gerstenberger | 05.05.2023 | Weight: - | 07-168-01 | Sheet 1 of 1 |
| | | | Scale: 1:20 | | |


This drawing is the sole property of K2 Systems GmbH. It is protected by copyright and may only be copied, reproduced or distributed to a third party with explicit permission!



Plan view
1 : 100



$x^\circ = \arcsin(242,3 / (\text{module width} - 40))$
 assembly dimension 1 = $(\text{module width}) * \cos(x^\circ) - 23,3 - 55,7 - 0,6$
 assembly dimension 2 = $\text{row space} - \cos(x^\circ) * \text{module width} - 79,1 + 23,3$
 service corridor = $\text{row space} - \text{module width} * \cos(x^\circ)$
 block size in the rail direction = $\text{row space} * \text{quantity of rows} - \text{service corridor} + 79,1 + 20$
 block size towards the long side of the module = $\text{number of module columns} * (\text{module length} + 18) - 18 + 2 * 47$

|  | K2 Systems GmbH Industriestr. 18 71272 Renningen Germany +49 7159 42059-0 | | | Designation: Data sheet S-Dome 6.15 Classic on concrete block AssemblyDimension | | | | | | | | | | | | | | | |
|---|---|------------|------|--|---------------------------|------------|---|--------------------|------------|------------|------------------------------|------------|-----------|---|------|--------|------------|------|---|
| | <table border="1"> <thead> <tr> <th>Name</th> <th>Date</th> <th>Material:</th> </tr> </thead> <tbody> <tr> <td>Designed A. Gerstenberger</td> <td>26.10.2022</td> <td>-</td> </tr> <tr> <td>Approved E. Markou</td> <td>05.05.2023</td> <td>Surface: -</td> </tr> <tr> <td>Last change A. Gerstenberger</td> <td>05.05.2023</td> <td>Weight: -</td> </tr> </tbody> </table> | Name | Date | Material: | Designed A. Gerstenberger | 26.10.2022 | - | Approved E. Markou | 05.05.2023 | Surface: - | Last change A. Gerstenberger | 05.05.2023 | Weight: - | <table border="1"> <thead> <tr> <th>Date</th> <th>Scale:</th> </tr> </thead> <tbody> <tr> <td>05.05.2023</td> <td>1:10</td> </tr> </tbody> </table> | Date | Scale: | 05.05.2023 | 1:10 | Item no.: --- Drawing no.: 07-168-01 |
| Name | Date | Material: | | | | | | | | | | | | | | | | | |
| Designed A. Gerstenberger | 26.10.2022 | - | | | | | | | | | | | | | | | | | |
| Approved E. Markou | 05.05.2023 | Surface: - | | | | | | | | | | | | | | | | | |
| Last change A. Gerstenberger | 05.05.2023 | Weight: - | | | | | | | | | | | | | | | | | |
| Date | Scale: | | | | | | | | | | | | | | | | | | |
| 05.05.2023 | 1:10 | | | | | | | | | | | | | | | | | | |
| This drawing is the sole property of K2 Systems GmbH. It is protected by copyright and may only be copied, reproduced or distributed to a third party with explicit permission! | | | | | | | | | | | | | | | | | | | |