

# CHECKLIST

## TRAPEZOIDAL SHEET METAL / SANDWICH PANEL

Please complete this form and send it by Mail to info@k2-systems.de or by fax to +49 (0) 7159 42059-209

BASICRAIL

MULTIRAIL

MINIRAIL

### Building project

NAME OF COSTUMER

-----  
NAME OF PROJECT

Location

-----  
STREET / NO.

-----  
POSTCODE / CITY / COUNTRY

-----  
TELEPHONE NO. FOR DELIVERY NOTIFICATION (ANNOUNCEMENT OF DELIVERY)

### Location details

ALTITUDE m

----- m/s ----- kN/m<sup>2</sup>  
WIND LOAD

----- kN/m<sup>2</sup>  
SNOW LOAD ON THE GROUND (S<sub>k</sub>)

### Topographic situation

**CATEGORY 0**  
LAKESIDE OR COASTAL AREA



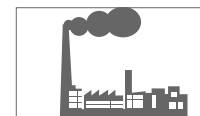
**CATEGORY 1**  
FLAT FIELD WITH AND WITHOUT , FEW OBSTACLES



**CATEGORY 2**  
FLAT FIELD, WITH ISOLATED OBSTACLES



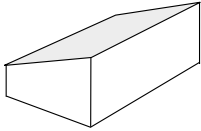
**CATEGORY 3**  
URBAN ZONE INDUSTRIAL AREA



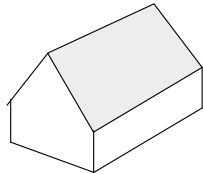
**CATEGORY 4**  
URBAN AREA



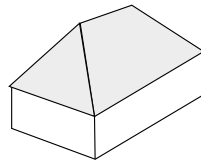
### Roof type



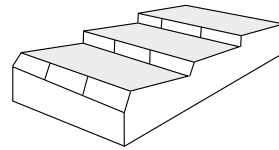
PENT ROOF



DOUBLE PITCHED



HIPPED ROOF



SHED ROOF

-----

### Obstacles

SKYLIGHTS

VENT/CHIMNEY

AERIAL

VOIDS

-----

LENGTH

m

WIDTH

m

HEIGHT

m

### Building data

-----m  
a BUILDING WIDTH

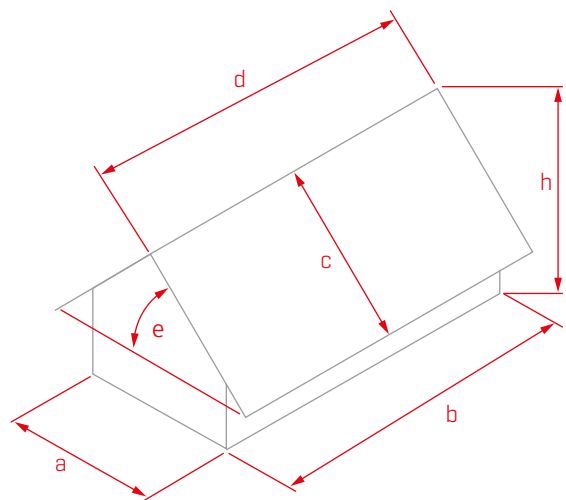
-----m  
b BUILDING LENGTH

-----m  
c ROOF WIDTH

-----m  
d ROOF LENGTH

-----°  
e ROOF PITCH

-----m  
h BUILDING HEIGHT



## Sheet Metal Roof

Trapezoidal | Sandwich

MATERIAL: ALUMINIUM STEEL

----- mm  
A TOTAL HEIGHT INCL. (F) PROFILE HEIGHT

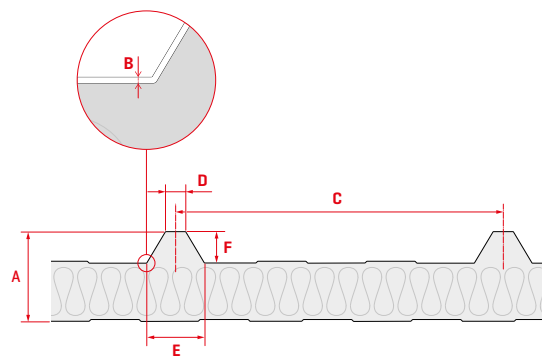
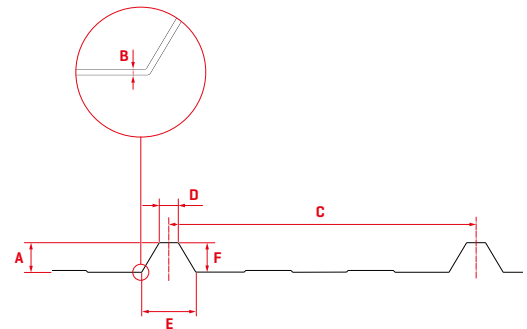
----- mm  
B STRENGTH

----- mm  
C CREST DISTANCE

----- mm  
D TOP CHORD WIDTH

----- mm  
E LOWER CHORD WIDTH

----- mm  
F Height of profile



## Module types / data

-----  
MODULE TYPE

----- WP  
MODULE OUTPUT

KG

MODULE WEIGHT

MODULE CLAMPING

LONG SIDE

SHORT SIDE

----- / ----- / ----- mm  
MODULE DIMENSIONS

----- ST.  
NO. OF MODULES (project-based)

MODULE ORIENTATION

LANDSCAPE

PORTRAIT

