


Pos.No.	Designation	optional
1	Dome 6.10 Peak	
2	Dome 6.10 SD	
3	DomeClamp EC Set	
4	DomeClamp MC Set	
5	Dome FlatConnector Set	X
6	BasicRail 22	
7	S-Dome 6.10 Windbreaker	
8	MK2	
9	CableManager	X
10	Socket head bolt serrated ISO 4762 - M8x20	
11	Self tapping screw	
12	PE-Plate	
13	Module	



K2 Systems GmbH
Industriestr. 18
71272 Renningen
Germany
+49 7159 42059-0

Designation: **S-Dome 6.10 Classic on PE-Plate**

Name	Date	Material:	Item no.:
Designed A. Gerstenberger	07.10.2022	-	---
Approved E. Markou	05.05.2023	Surface: -	Drawing no.: 07-173-02
Last change A. Gerstenberger	05.05.2023	Weight: -	Scale: 1:20

All dimensions in mm
Sheet 1 of 2

This drawing is the sole property of K2 Systems GmbH. It is protected by copyright and may only be copied, reproduced or distributed to a third party with explicit permission!

1 2 3 4 5 6 7 8

A

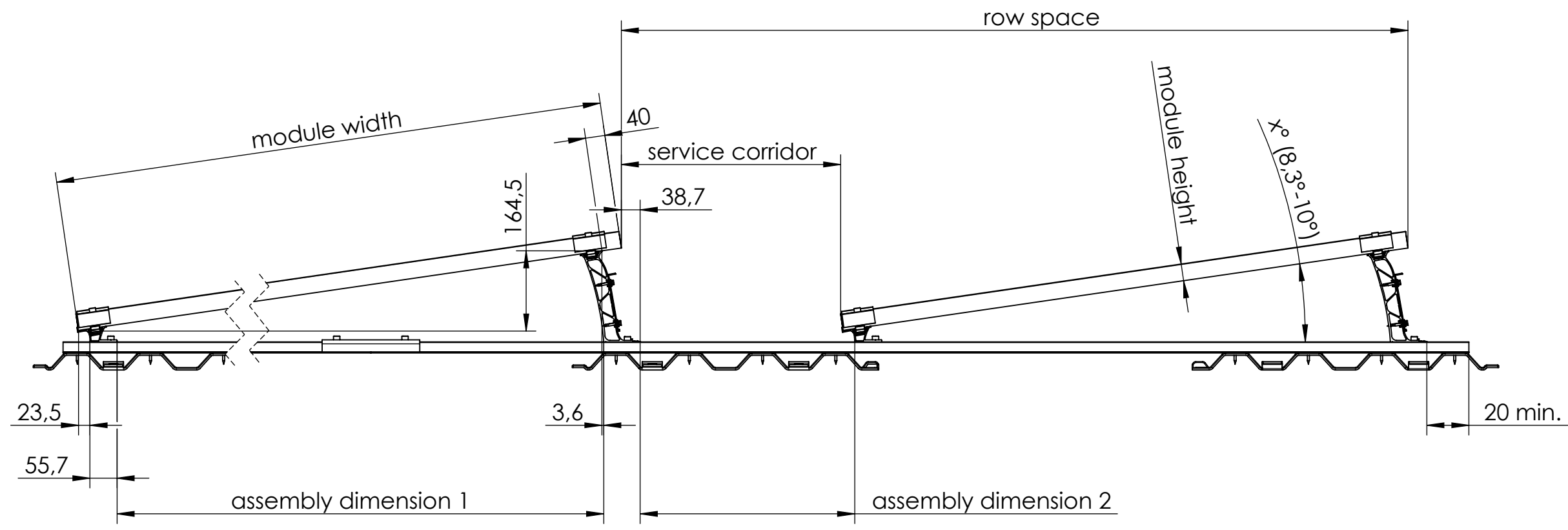
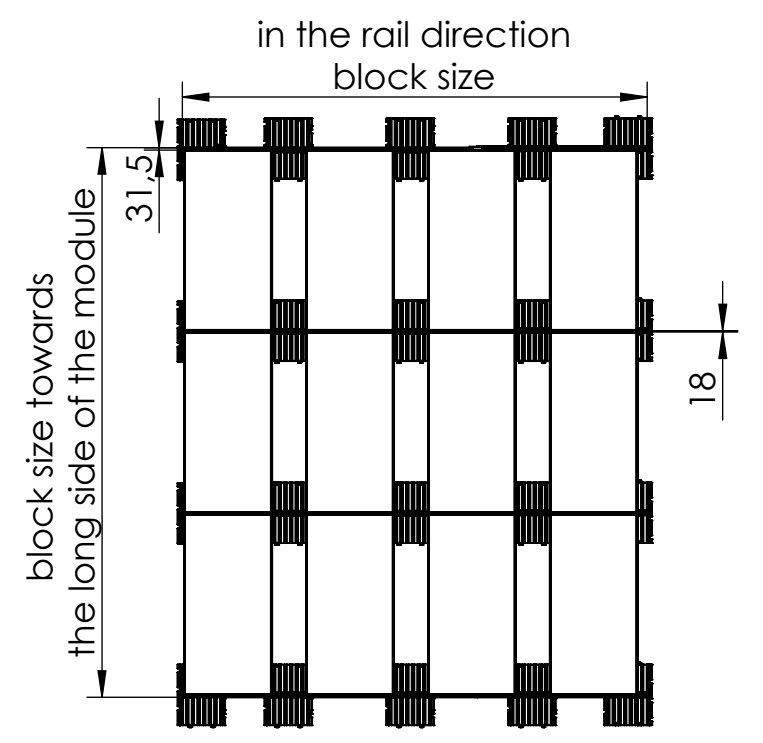
B

C


D

E

F



$x^\circ = \arcsin(164,5) / (\text{module width} - 40)$
 $\text{assembly dimension 1} = (\text{module width} - 40) * \cos(x^\circ) - 23,5 - 55,7 + 3,6$
 $\text{assembly dimension 2} = \text{row space} - \cos(x^\circ) * (\text{module width}) - 38,7 + 23,5$
 $\text{service corridor} = \text{row space} - \text{module width} * \cos(x^\circ)$
 $\text{block size in the rail direction} = \text{row space} * \text{quantity of rows} - \text{service corridor} + 38,7 + 20$
 $\text{block size towards the long side of the module} = (\text{module length} + 18) * \text{number of the columns} - 18 + 2 * 31,5$

 K2 Systems GmbH Industriestr. 18 71272 Renningen Germany +49 7159 42059-0				Designation: Data sheet S-Dome 6.10 Classic on PE-Plate AssemblyDimension	
Name		Date		Material:	
Designed A. Gerstenberger		07.10.2022		-	
Approved E. Markou		05.05.2023		Surface: -	
Last change A. Gerstenberger		05.05.2023		Weight: - Scale: 1:10	
Item no.: ---				A3	
Drawing no.: 07-173-02				All dimensions in mm	
Sheet 2 of 2					
This drawing is the sole property of K2 Systems GmbH. It is protected by copyright and may only be copied, reproduced or distributed to a third party with explicit permission!					

1 2 3 4