

Pos.No.	Designation	optional		
1	MultiRail 25			
2	DomeClamp EC Set			
3	MK2			
4	Dome 6.10 SD/Dome 6.15 SD *			
5	Dome 6.15 Peak			
6	S-Dome 6.15 Windbreaker LS	x		
7	CabelManager	x		
8	Self tapping screw		*	Module
9	Socket head bolt serrated -sim. ISO 4762 - M8x20		Dome 6.15 SD	950-1170
10	Module		Dome 6.10 SD	1171-1305

**K2 systems**  
 K2 Systems GmbH  
 Industriestr. 18  
 71272 Renningen  
 Germany  
 +49 7159 42059-0

Name	Date	Material:
Designed A. Gerstenberger	20.01.2023	-
Approved E. Markou	05.05.2023	Surface: -
Last change A. Gerstenberger	05.05.2023	Weight: -

Scale: 1:20

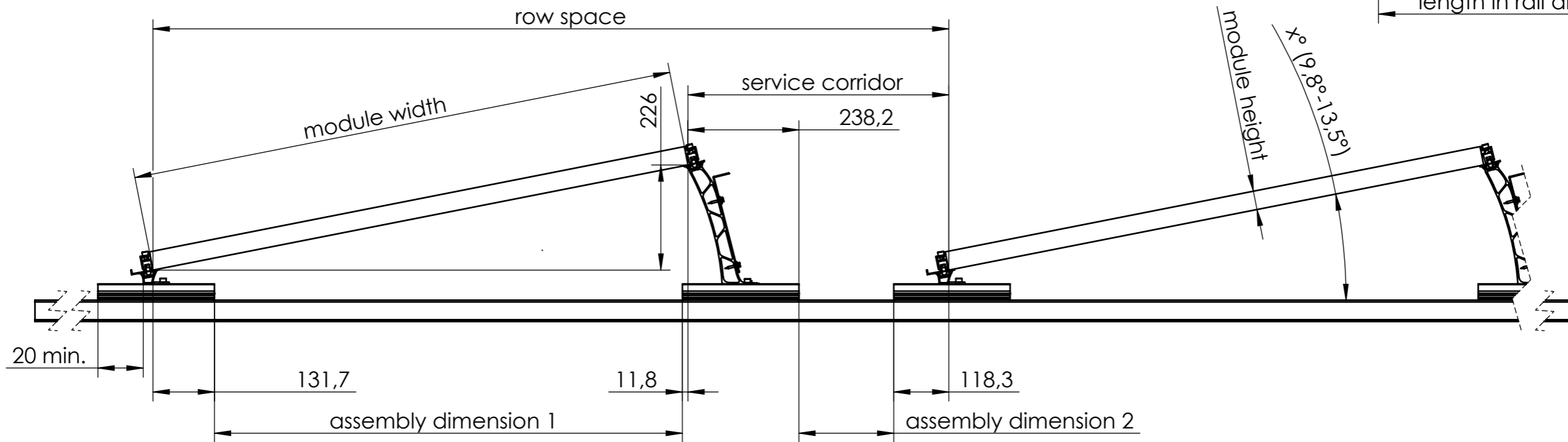
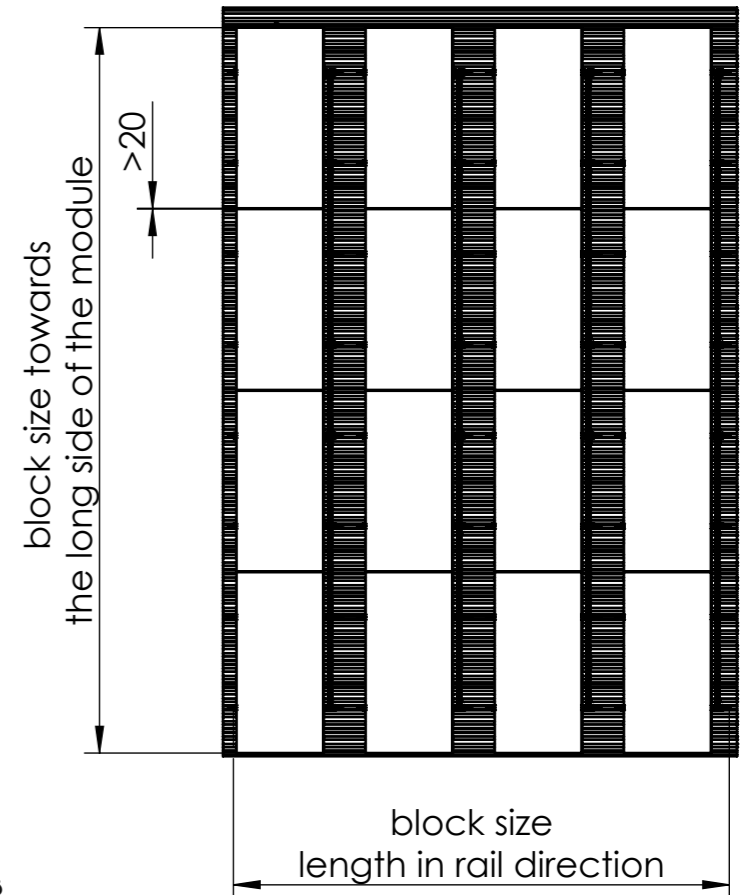
Designation:  
**Data sheet**  
**S-Dome 6.15 Classic LS**  
**on MultiRail**

Item no.: ---  
 Drawing no.: 07-192-01  
 All dimensions in mm  
 Sheet 1 of 2

A3

This drawing is the sole property of K2 Systems GmbH. It is protected by copyright and may only be copied, reproduced or distributed to a third party with explicit permission!

Plan view  
1:100



$x^\circ = \arcsin(226/\text{modulwidth})$

assembly dimension 1 = module width \* cos(x°) - 131,7 + 11,8

assembly dimension 2 = row space - module width \* cos(x°) - 131,7 - 238,2 - 118,3

service corridor = row space - module width \* cos(x°)

block size towards the long side of the module = (module length + 20) \* number of rows

block size length in rail direction = row spacing \* number of row - service corridor + 2(46,3 + 20)



K2 Systems GmbH  
Industriestr. 18  
71272 Renningen  
Germany  
+49 7159 42059-0

Designation: **Data sheet**  
**S-Dome 6.15 Classic LS**  
AssemblyDimension

	Name	Date	Material:	Item no.:	A3
Designed	A. Gerstenberger	20.01.2023	-	---	
Approved	E. Markou	05.05.2023	Surface: -	Drawing no.: 07-192-01	All dimensions in mm
Last change	A. Gerstenberger	05.05.2023	Weight: -	Scale: 1:10	Sheet 1 of 2

This drawing is the sole property of K2 Systems GmbH. It is protected by copyright and may only be copied, reproduced or distributed to a third party with explicit permission!