

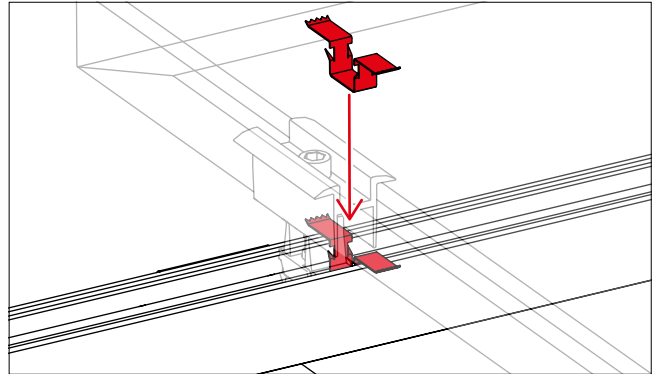
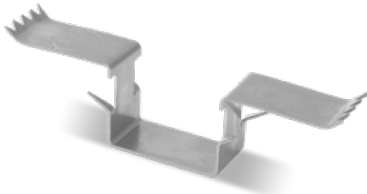


TerraGrif Applications

Equipotential bonding in K2 mounting systems

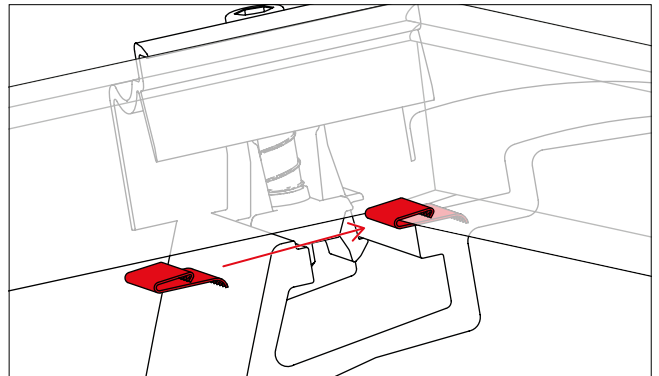
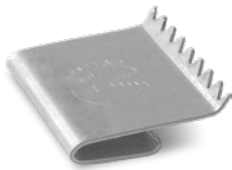
TerraGrif K2SZ: For most K2 pitched roof systems

- / Simple fixation to the K2 mounting rail
- / Position in the lower edge area of the module frame
- / Not compatible with SpeedRail in landscape orientation



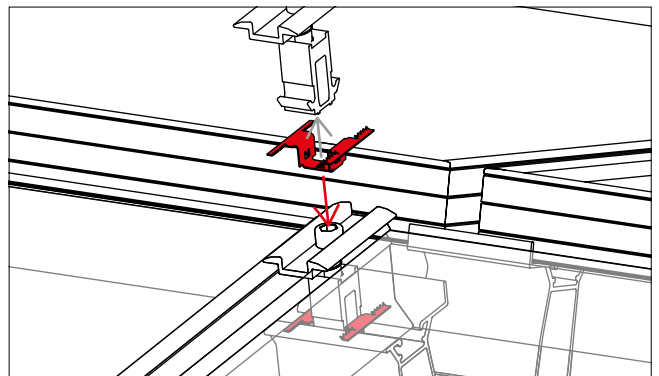
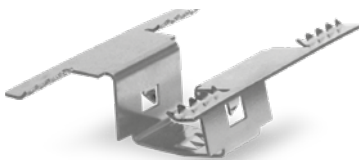
TerraGrif U17

- / Easy fixation to the lower edge of the module frame and compatible with most module types
- / Position in the adjacent elevation area or mounting system component



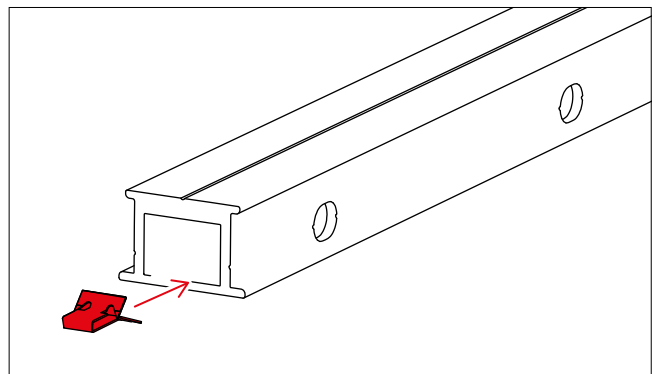
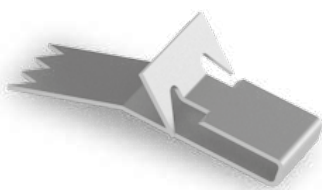
TerraGrif K2MI: The MiniClamp Solution

- / Direct attachment to the module clamp MiniClamp
- / K2MI connects 2 modules and is suitable for both portrait and landscape mounting
- / Compatible with Dome V and Dome 6



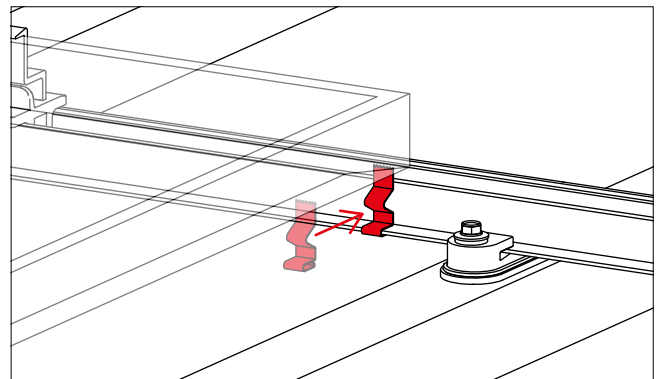
TerraGrif PL: Recommendation for Dome 6

- / Easy fixation to the Dome 6 Connector.
- / Potential equalisation according to VDE



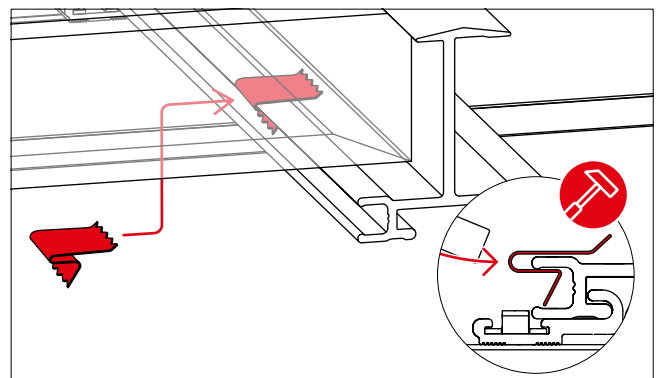
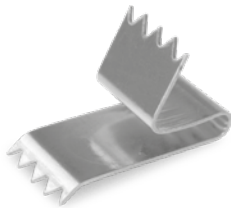
TerraGrif K2PA: For SpeedRail systems in landscape orientation

- / Quick fixation to the lower strut of the SpeedRail
- / Free placement in the lower edge area of the module



TerraGrif S: Recommendation for the K2 Insertion System

- / Fast fixation at the lower bar of the insertion rail
- / Free positioning in the area of the module frame edge



Compatibility and technical data

	K2SZ	U17	K2MI	PL	K2PA	S Insertionsystem
Image						
Compatibility						
SingleRail	●	○	○	○	○	○
SolidRail	●	○	○	○	○	○
Insertionsystem	○	○	○	○	○	●
SpeedRail	●	○	○	○	●*	○
MiniRail	●	○	○	○	○	○
MultiRail	●	○	○	○	○	○
D-/S-Dome	●	○	○	○	○	○
D-/S-Dome V	○	○	●	○	○	○
D-/S-Dome 6	○	○	●	●	○	○
Item number	2001881	2000056	2002649	2004102	2000055	2002397
Std. tolerance value	Norm DIN 2095 grade 2					
Material	Stainless steel 301 TA					
Norm	NFA 35573					
Weight [g]	3,2	1,8	3,6	1,15	2,4	1,5
Dim. W × H × D [mm]	10 × 16 × 60	20 × 5,8 × 17	40 × 11,7 × 36	22 × 10 × 8	10 × 31,7 × 12	10 × 13,5 × 21
Thickness [mm]	0,5					

● Compatible ○ Not tested ○ Not compatible

* Only for landscape orientation with AddOn.