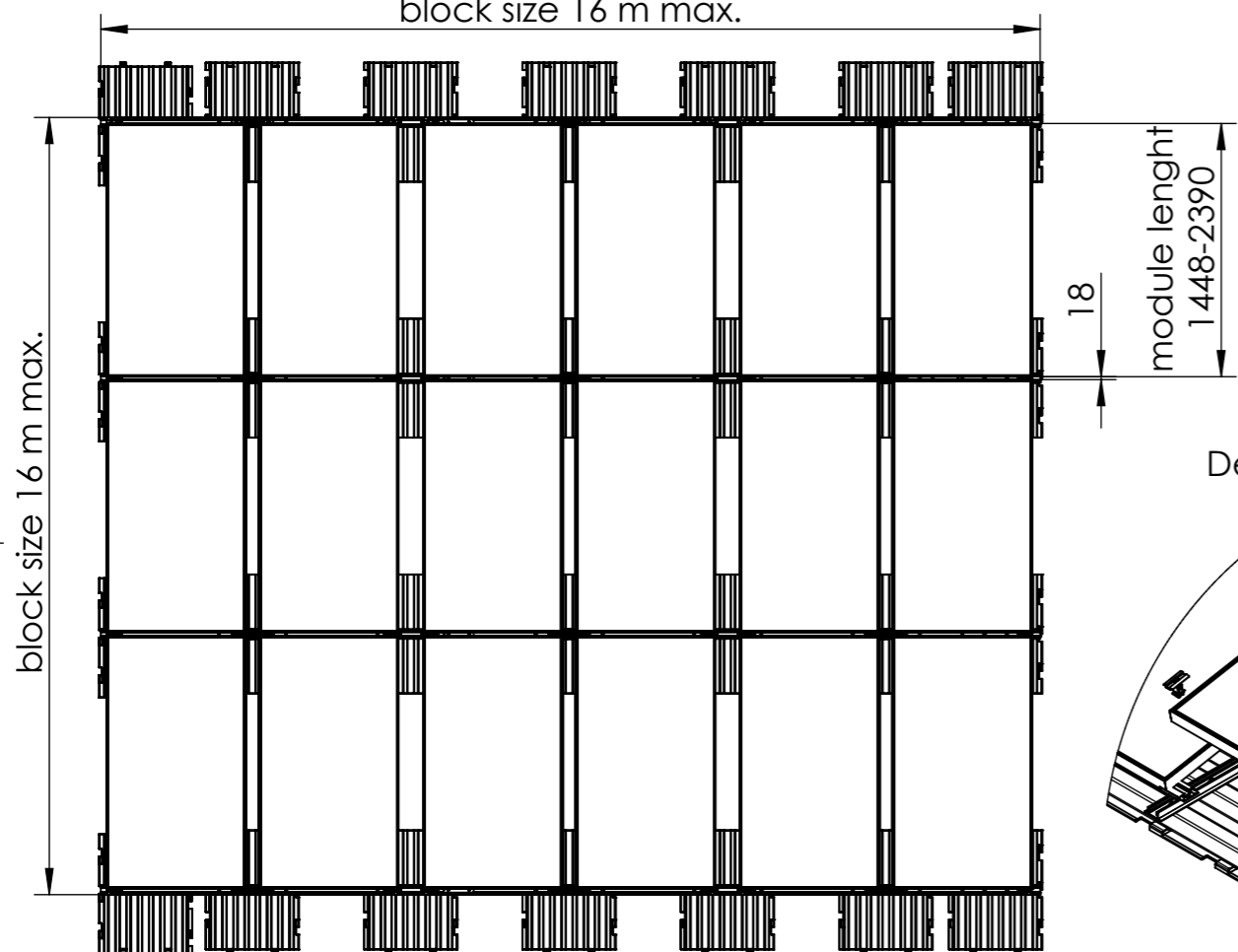
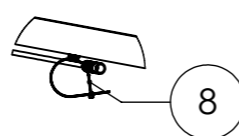


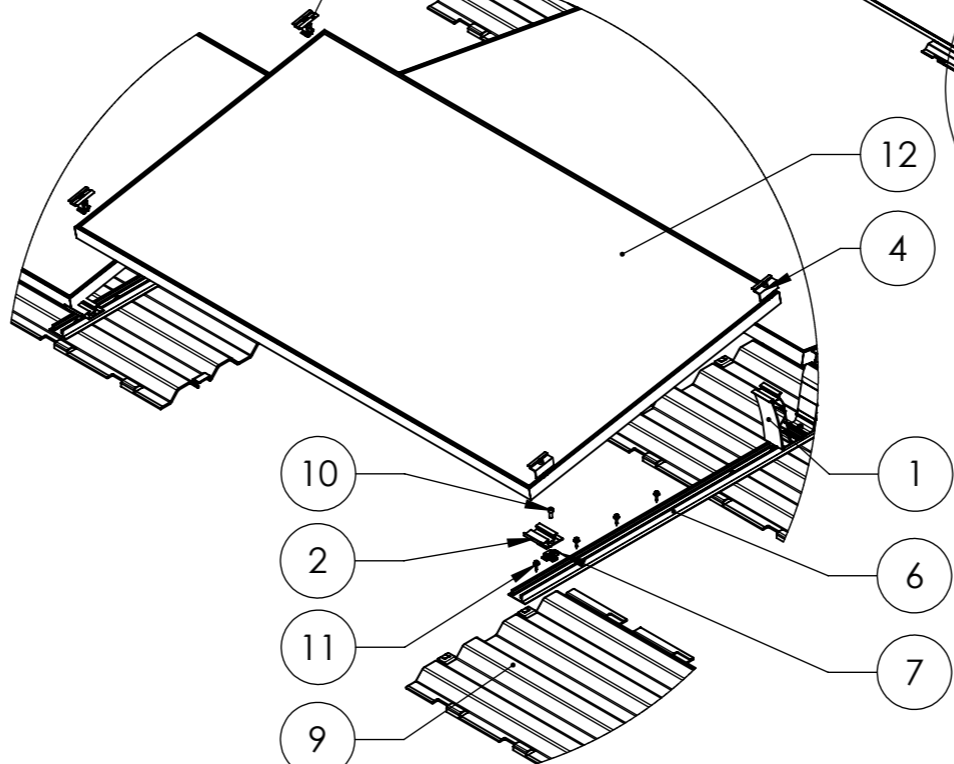
Plan view  
1:50



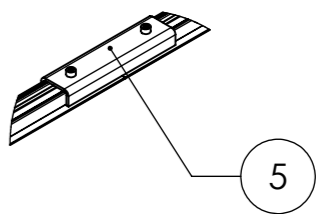
Detail W  
1:10



Detail Z



Detail X  
1:10



Pos.No.	Designation	optional
1	Dome 6.10 Peak	
2	Dome 6.10 SD	
3	DomeClamp MC Set	
4	DomeClamp EC Set	
5	Dome FlatConnector Set	X
6	BasicRail 22	
7	MK2	
8	CableManager	X
9	PE-Plate	
10	Socket head bolt serrated ISO 4762 - M8x20	
11	Self tapping screw	
12	Module	



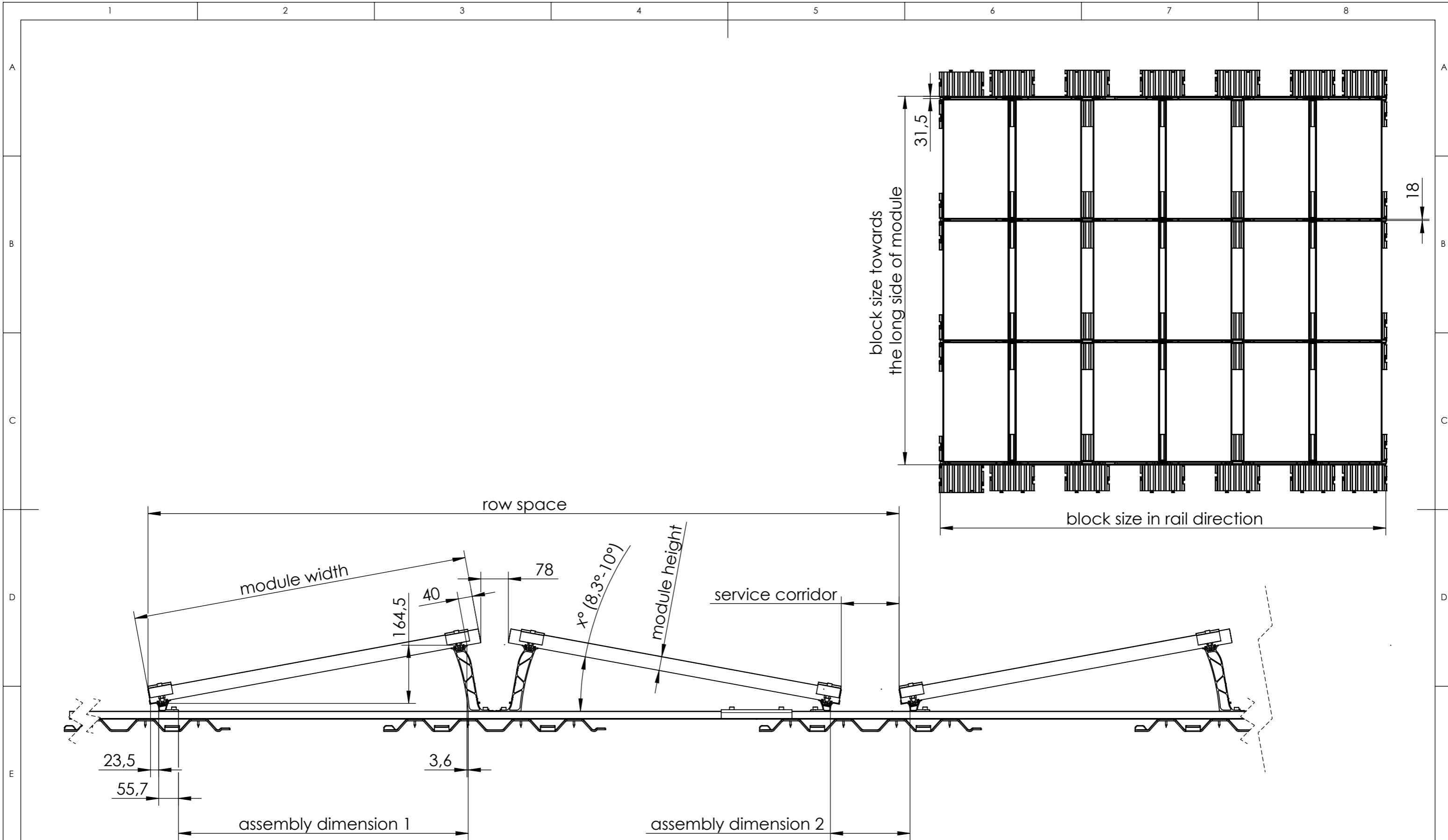
K2 Systems GmbH  
Industriestr. 18  
71272 Renningen  
Germany  
+49 7159 42059-0

Designation: **Data sheet  
D-Dome 6.10 Classic  
on PE-Plate**

Name	Date	Material:	Item no.:	A3
Designed	A. Gerstenberger	07.10.2022	-	
Approved	E. Markou	05.05.2023	Surface: -	Drawing no.: 07-172-01
Last change	A. Gerstenberger	05.05.2023	Weight: -	Scale: 1:20

All dimensions in mm  
Sheet 1 of 2

This drawing is the sole property of K2 Systems GmbH. It is protected by copyright and may only be copied, reproduced or distributed to a third party with explicit permission!



$x^\circ = \arcsin((164,5) / (\text{module width} - 40))$   
 $\text{assembly dimension 1} = (\text{module width} - 40) * \cos(x^\circ) - 23,5 - 55,7 + 3,6$   
 $\text{assembly dimension 2} = \text{row space} - 2 * (\text{module width} * \cos(x^\circ) - 23,5) - 78$   
 $\text{service corridor} = \text{assembly dimension 2} - 2 * 23,5$   
 $\text{block size in rail direction} = \text{row space} * \text{quantity of rows} - \text{service corridor}$   
 $\text{block size towards the long side of module} = (\text{module length} + 18) * \text{number of rows} - 18 + 2 * 31,5$



K2 Systems GmbH  
 Industriestr. 18  
 71272 Renningen  
 Germany  
 +49 7159 42059-0

Designation: **Data sheet**  
**D-Dome 6.10 Classic**  
**on PE-Plate**  
**AssemblyDimension**

	Name	Date	Material:	Item no.:	A3		
Designed	A. Gerstenberger	07.10.2022	-	---	A3		
Approved	E. Markou	05.05.2023	Surface: -			Drawing no.: 07-172-01	All dimensions in mm
Last change	A. Gerstenberger	05.05.2023	Weight: -			Scale: 1:10	Sheet 2 of 2

This drawing is the sole property of K2 Systems GmbH. It is protected by copyright and may only be copied, reproduced or distributed to a third party with explicit permission!