

k =cantilever
e =span widht

the dimensions can be found in
the static report for your project

Pos.No.	Designation
2	TiltUp Vento Beam 1300/1600
3	TiltUp Vento Foot
4	SingleRail 36/50
5	Climber 36/50
6	OneEnd Set / Standard Set
7	OneMid Set / Standard XS Set
8	SingleRail 36/50 Connecot Set
9	TiltUp Vento Pin

Pos.No.	Designation	Lenght (mm) with Beam 1300	Lenght (mm) with Beam 1600	Angle α
1	TiltUp Vento Brace	446	558	20°
		558	679	25°
		679	856	30°

10	TiltUp Vento Clip
11	MultiMonti 7,5x60
12	Beton
13	Modul

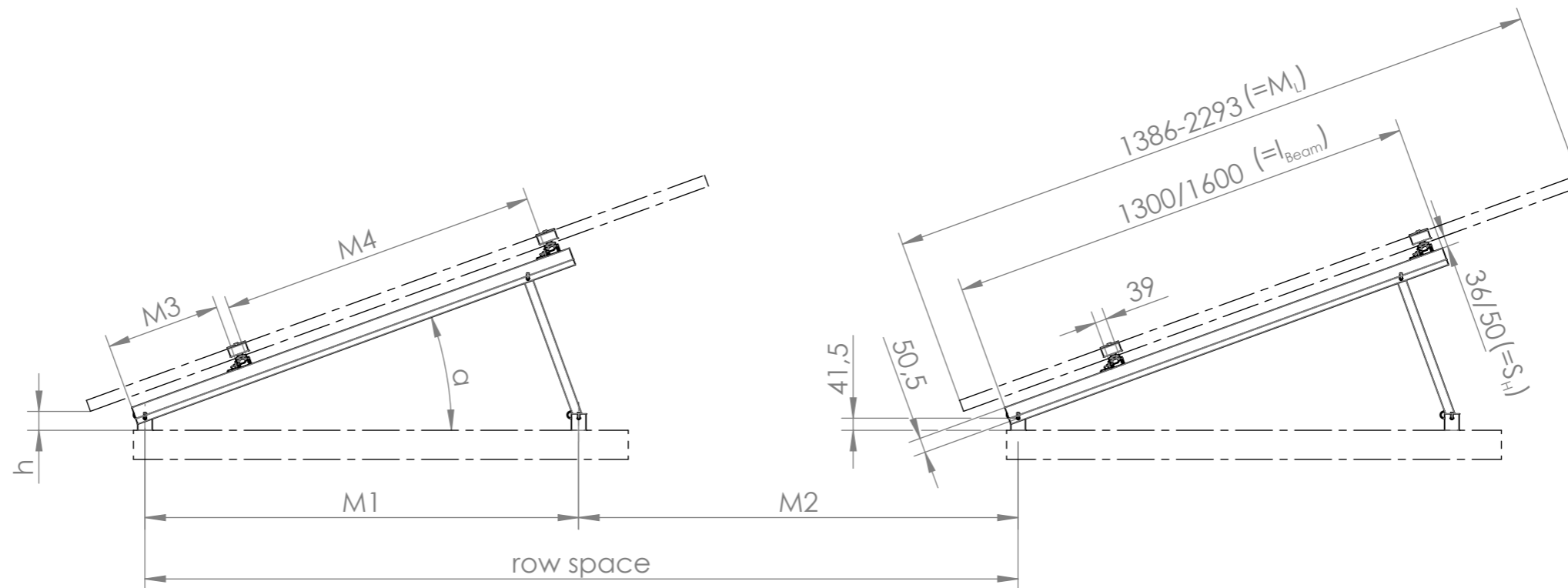


K2 Systems GmbH
Industriestr. 18
71272 Renningen
Germany
+49 7159 42059-0

Designation:
**Data sheet
TiltUp Vento Portrait**

Name	Date	Material:	Item no.:	A3
Designed A. Gerstenberger	11.01.2022	-	---	
Approved J. Sen	17.01.2022	Surface: -	Drawing no.: 07-286-01	All dimensions in mm
Last change E. Markou	29.11.2022	Weight: -	Scale: 1:50	Sheet 1 of 1

This drawing is the sole property of K2 Systems GmbH. It is protected by copyright and may only be copied, reproduced or distributed to a third party with explicit permission!



$$h_{def} = 41,5 + (0,5 * l_{Beam} - 30) * \sin(\alpha) + (50,5 + 36) * \cos(\alpha) - 0,5 * M_L * \sin(\alpha)$$

$$h_{max} = 41,5 + (l_{Beam} - 30 - 0,5 * 39) * \sin(\alpha) + (50,5 + 36) * \cos(\alpha) - 0,75 * M_L * \sin(\alpha)$$

Angle α		20°	25°	30°
h_{min}		30		
M1	with Beam 1300	1164	1207	1262
	with Beam 1600	1491	1536	1616
M2		row space - M1		
M3		$\frac{h_{neu} + 0,25 * M_L * \sin(\alpha) - (S_H + 50,5) * \cos(\alpha) - 41,5}{\sin(\alpha)} + 30 - 39/2$		
M4		$0,5 * M_L - 39$		
row space min-max		2530-4180	2610-4320	2580-4280



K2 Systems GmbH
 Industriestr. 18
 71272 Renningen
 Germany
 +49 7159 42059-0

Designation:		Data sheet TiltUp Vento Portrait	
Name	Date	Material:	Item no.: ---
Designed	A. Gerstenberger	11.01.2022	-
Approved	J. Sen	17.01.2022	Surface: -
Last change	A. Gerstenberger	17.06.2022	Weight: - Scale: 1:20
Drawing no.: 07-286-01		A3	
All dimensions in mm		Sheet 1 of 1	

This drawing is the sole property of K2 Systems GmbH. It is protected by copyright and may only be copied, reproduced or distributed to a third party with explicit permission!