

| Pos.No. | Designation                                      | optional |
|---------|--|----------|
| 1       | Dome 6.15 Peak                                   |          |
| 2       | Dome 6.15 SD                                     |          |
| 3       | DomeClamp EC Set                                 |          |
| 4       | DomeClamp MC Set                                 |          |
| 5       | Dome FlatConnector Set                           | x        |
| 6       | BasicRail 22                                     |          |
| 7       | BasicClip  |          |
| 8       | BasicLock 22 Set                                 |          |
| 9       | S-Dome 6.15 Windbreaker                          |          |
| 10      | MK2  |          |
| 11      | CableManager                                     | x        |
| 12      | Self tapping screw                               |          |
| 13      | Socket head bolt serrated- sim. ISO 4762 - M8x20 |          |
| 14      | Module   |          |

**K2 systems**  
 K2 Systems GmbH  
 Industriestr. 18  
 71272 Renningen  
 Germany  
 +49 7159 42059-0

| Name                         | Date       | Material:  |
|------------------------------|------------|------------|
| Designed A. Gerstenberger    | 20.01.2023 | -          |
| Approved E. Markou           | 05.05.2023 | Surface: - |
| Last change A. Gerstenberger | 05.05.2023 | Weight: -  |

Scale: 1:20

Designation: **Data sheet S-Dome 6.15 Classic on trapezoidal roofing**

|              |           |                      |
|--------------|-----------|----------------------|
| Item no.:    | ---       | A3                   |
| Drawing no.: | 07-180-01 | All dimensions in mm |
|              |           | Sheet 1 of 2         |

This drawing is the sole property of K2 Systems GmbH. It is protected by copyright and may only be copied, reproduced or distributed to a third party with explicit permission!

1 2 3 4 5 6 7 8

A

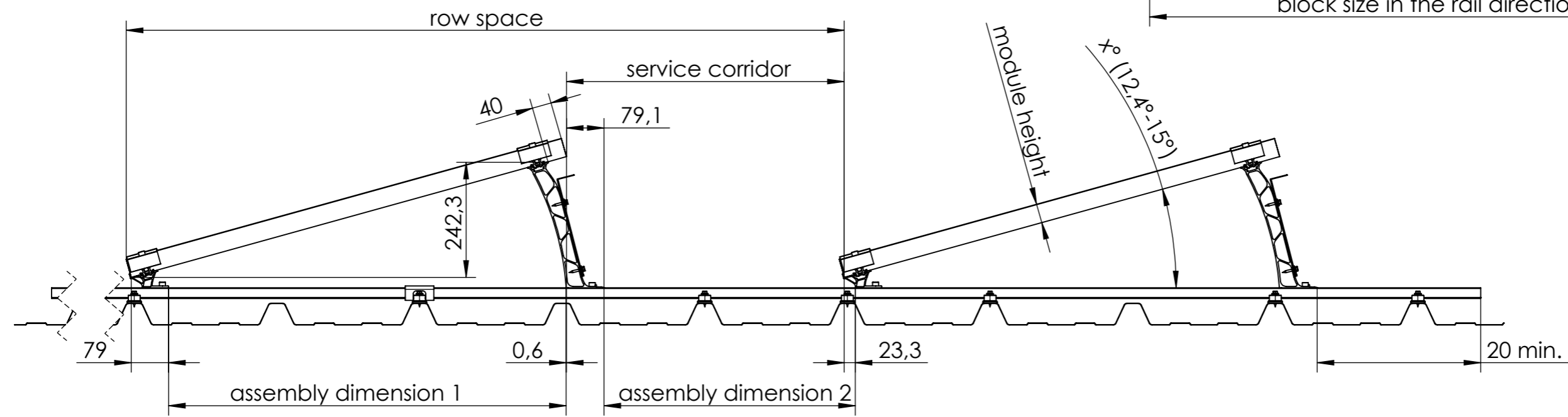
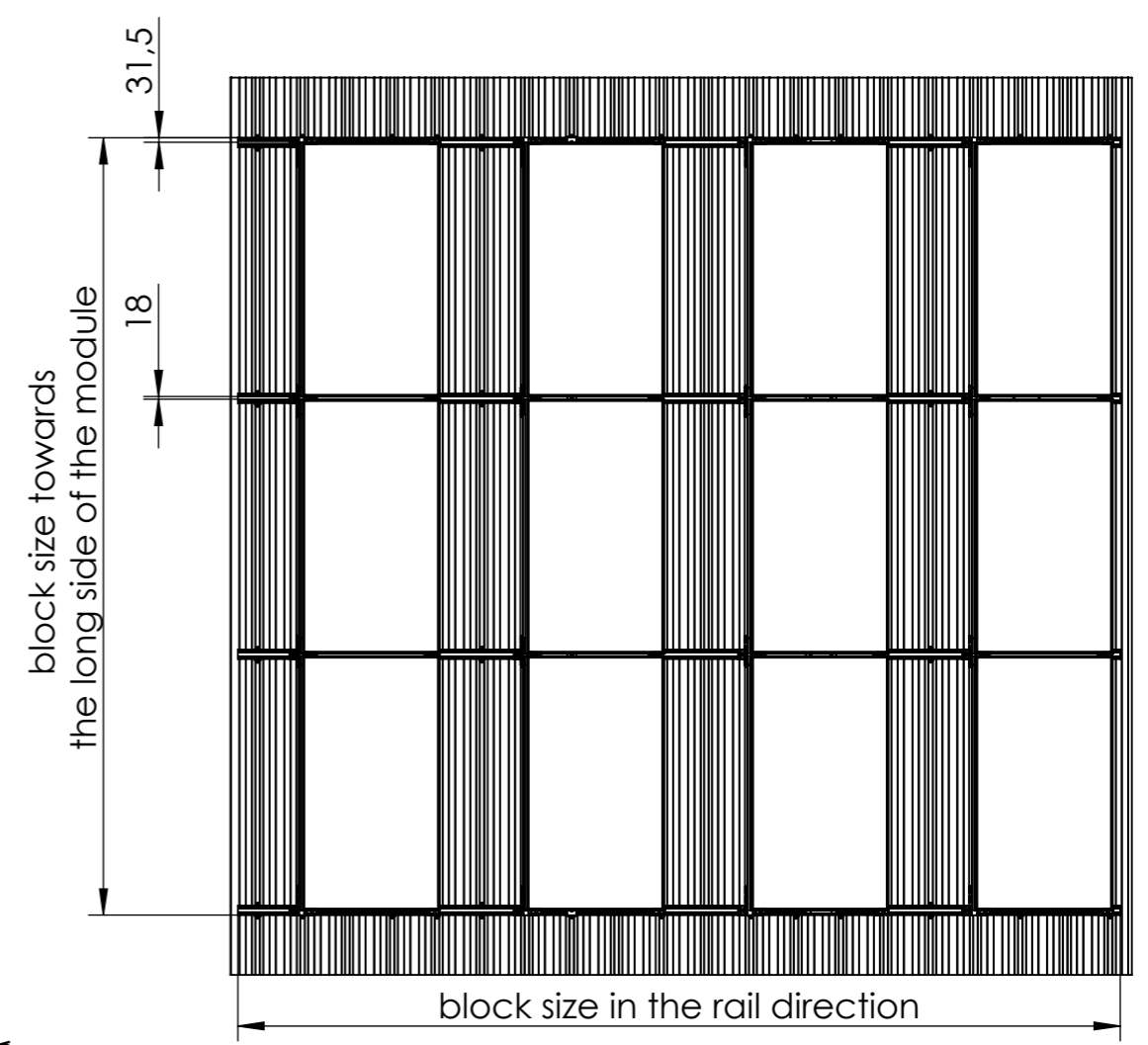
B

C


D

E

F



$x^\circ = \arcsin(242,3) / (\text{module width} - 40)$   
 $\text{assembly dimension 1} = (\text{module width}) * \cos(x^\circ) - 79 - 0,6$   
 $\text{assembly dimension 2} = \text{row space} - \cos(x^\circ) * (\text{module width}) - 79,1 + 23,5$   
 $\text{service corridor} = \text{row space} - \text{module width} * \cos(x^\circ)$   
 $\text{block size in the rail direction} = \text{row space} * \text{quantity of rows} - \text{service corridor} + 79,1 + 20$   
 $\text{block size towards the long side of the module} = (\text{module length} + 18) * \text{number of the columns} - 18 + 2 * 31,5$

|    | K2 Systems GmbH<br>Industriestr. 18<br>71272 Renningen<br>Germany<br>+49 7159 42059-0   |            |                        | Designation: <b>S-Dome 6.15 Classic</b><br>on trapezoidal roofing |                           |            |   |                    |            |            |                              |            |           |               |
|---|---|------------|------------------------|---|---------------------------|------------|---|--------------------|------------|------------|------------------------------|------------|-----------|---------------|
|   | <table border="1"> <thead> <tr> <th>Name</th> <th>Date</th> <th>Material:</th> </tr> </thead> <tbody> <tr> <td>Designed A. Gerstenberger</td> <td>20.01.2023</td> <td>-</td> </tr> <tr> <td>Approved E. Markou</td> <td>05.05.2023</td> <td>Surface: -</td> </tr> <tr> <td>Last change A. Gerstenberger</td> <td>05.05.2023</td> <td>Weight: -</td> </tr> </tbody> </table> | Name       | Date                   | Material:   | Designed A. Gerstenberger | 20.01.2023 | - | Approved E. Markou | 05.05.2023 | Surface: - | Last change A. Gerstenberger | 05.05.2023 | Weight: - | Item no.: --- |
| Name  | Date  | Material:  |                        |   |                           |            |   |                    |            |            |                              |            |           |               |
| Designed A. Gerstenberger   | 20.01.2023  | -          |                        |   |                           |            |   |                    |            |            |                              |            |           |               |
| Approved E. Markou  | 05.05.2023  | Surface: - |                        |   |                           |            |   |                    |            |            |                              |            |           |               |
| Last change A. Gerstenberger  | 05.05.2023  | Weight: -  |                        |   |                           |            |   |                    |            |            |                              |            |           |               |
| Scale: 1:10   |   |            | Drawing no.: 07-180-01 | All dimensions in mm<br>Sheet 2 of 2                              |                           |            |   |                    |            |            |                              |            |           |               |
| This drawing is the sole property of K2 Systems GmbH. It is protected by copyright and may only be copied, reproduced or distributed to a third party with explicit permission! |   |            |                        |   |                           |            |   |                    |            |            |                              |            |           |               |

1 2 3 4