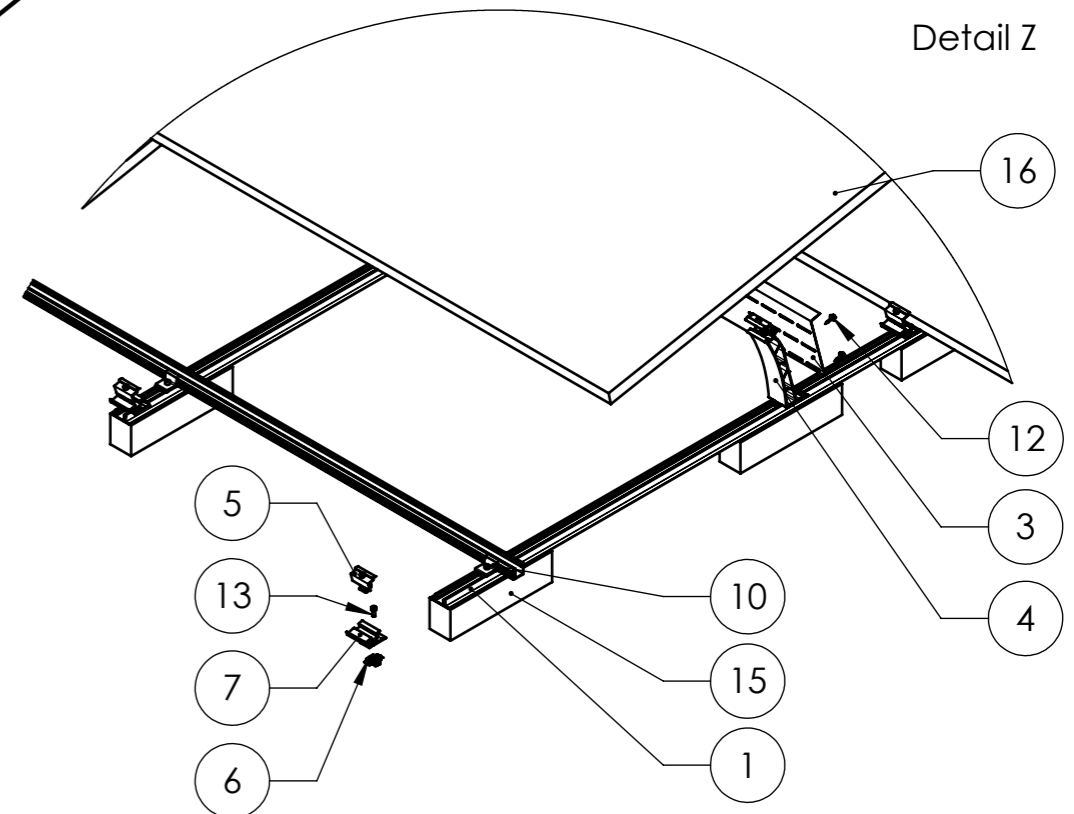
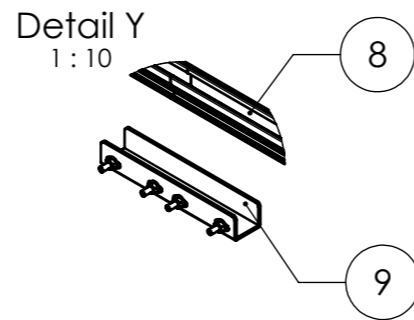


Pos.No.	Designation	optional
1	BasicRail 22	
2	Dome Flat Connector Set	X
3	S-Dome 6.15 Windbreaker LS	
4	Dome 6.15 Peak	
5	DomeClamp EC Set	
6	MK2	
7	Dome 6.10 SD/Dome 6.15 SD *	
8	SingleRail 36 light	
9	SingleRail 36 Connector Set	X
10	Climber Set	
11	CabelManager	X
12	Self tapping screw	
13	Socket head bolt serrated ISO 4762 - M8x20	
14	MultiMonti	
15	Concrete block	
16	Module	



K2 Systems GmbH  
 Industriestr. 18  
 71272 Renningen  
 Germany  
 +49 7159 42059-0

Designation:  
**Data sheet**  
**S-Dome 6.15 Classic LS**  
 on concrete block

Name	Date	Material:	Item no.:	A3
Designed	A. Gerstenberger	07.10.2022	-	
Approved	E. Markou	05.05.2023	Surface: -	Drawing no.: 07-171-02
Last change	A. Gerstenberger	05.05.2023	Weight: -	Scale: 1:20

All dimensions in mm  
Sheet 1 of 1

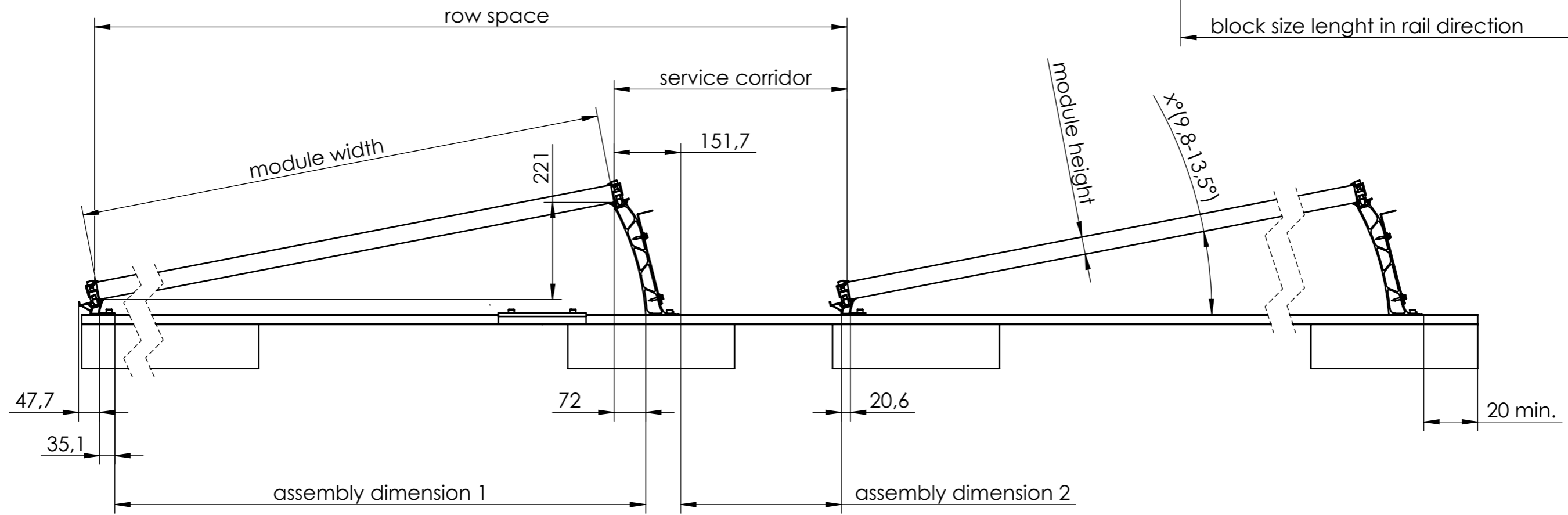
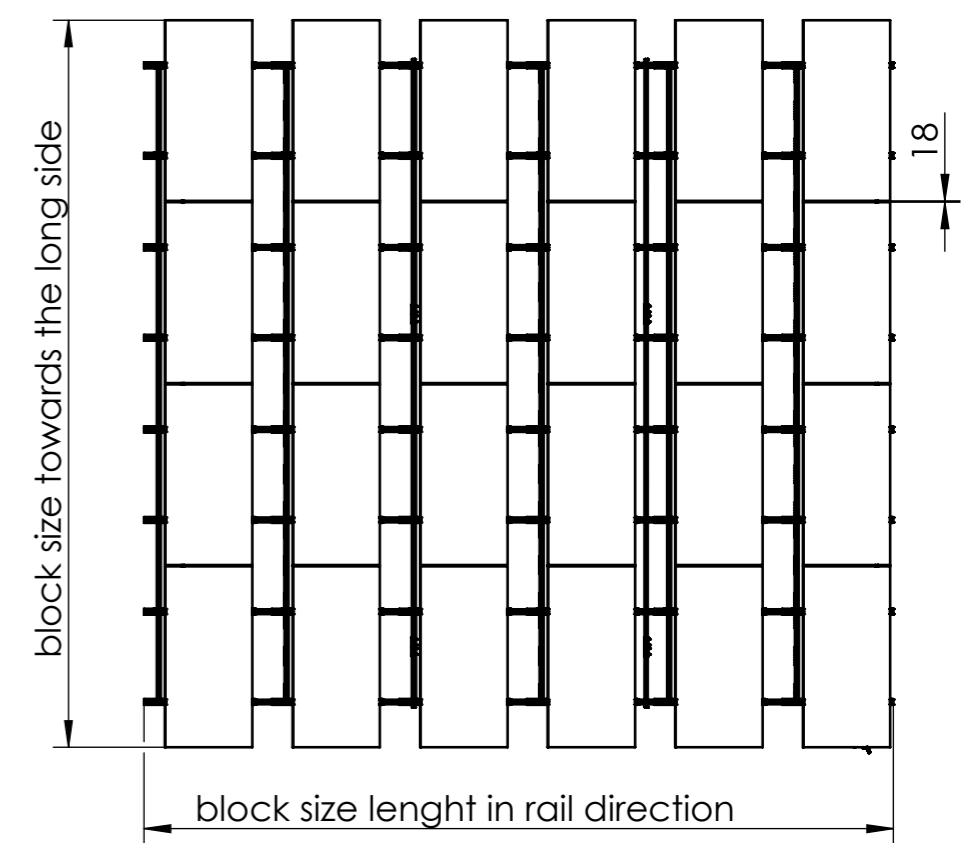
*	Module
Dome 6.15 SD	950-1170
Dome 6.10 SD	1171-1305

This drawing is the sole property of K2 Systems GmbH. It is protected by copyright and may only be copied, reproduced or distributed to a third party with explicit permission!


1 2 3 4 5 6 7 8

A B C D E F

Plan view  
1 : 100



$x^\circ = \arcsin(221/\text{modulwidth})$   
 assembly dimension 1 =  $\text{module width} \cdot \cos(x) + 72 - 35,1$   
 assembly dimension 2 =  $\text{row space} - \text{module width} \cdot \cos(x) - 151,7 - 20,6$   
 service corridor =  $\text{row space} - \text{module width} \cdot \cos(x)$   
 block size length in rail direction =  
 $\text{row space} \cdot \text{number of row} - 1 \cdot \text{service corridor} + 151,7 + 20 + 47,7$   
 block size towards the long side of the module =  $(\text{module length} + 18) \cdot \text{number of columns} - 18$

	K2 Systems GmbH Industriestr. 18 71272 Renningen Germany +49 7159 42059-0			Designation: <b>S-Dome 6.15 Classic LS</b> AssemblyDimension												
	<table border="1"> <thead> <tr> <th>Name</th> <th>Date</th> <th>Material:</th> </tr> </thead> <tbody> <tr> <td>Designed A. Gerstenberger</td> <td>07.10.2022</td> <td>-</td> </tr> <tr> <td>Approved E. Markou</td> <td>05.05.2023</td> <td>Surface: -</td> </tr> <tr> <td>Last change A. Gerstenberger</td> <td>05.05.2023</td> <td>Weight: -</td> </tr> </tbody> </table>	Name	Date	Material:	Designed A. Gerstenberger	07.10.2022	-	Approved E. Markou	05.05.2023	Surface: -	Last change A. Gerstenberger	05.05.2023	Weight: -	Item no.: ---	A3	Drawing no.: 07-171-02
Name	Date	Material:														
Designed A. Gerstenberger	07.10.2022	-														
Approved E. Markou	05.05.2023	Surface: -														
Last change A. Gerstenberger	05.05.2023	Weight: -														
Scale: 1:10			Sheet 2 of 2													
This drawing is the sole property of K2 Systems GmbH. It is protected by copyright and may only be copied, reproduced or distributed to a third party with explicit permission!																

1 2 3 4