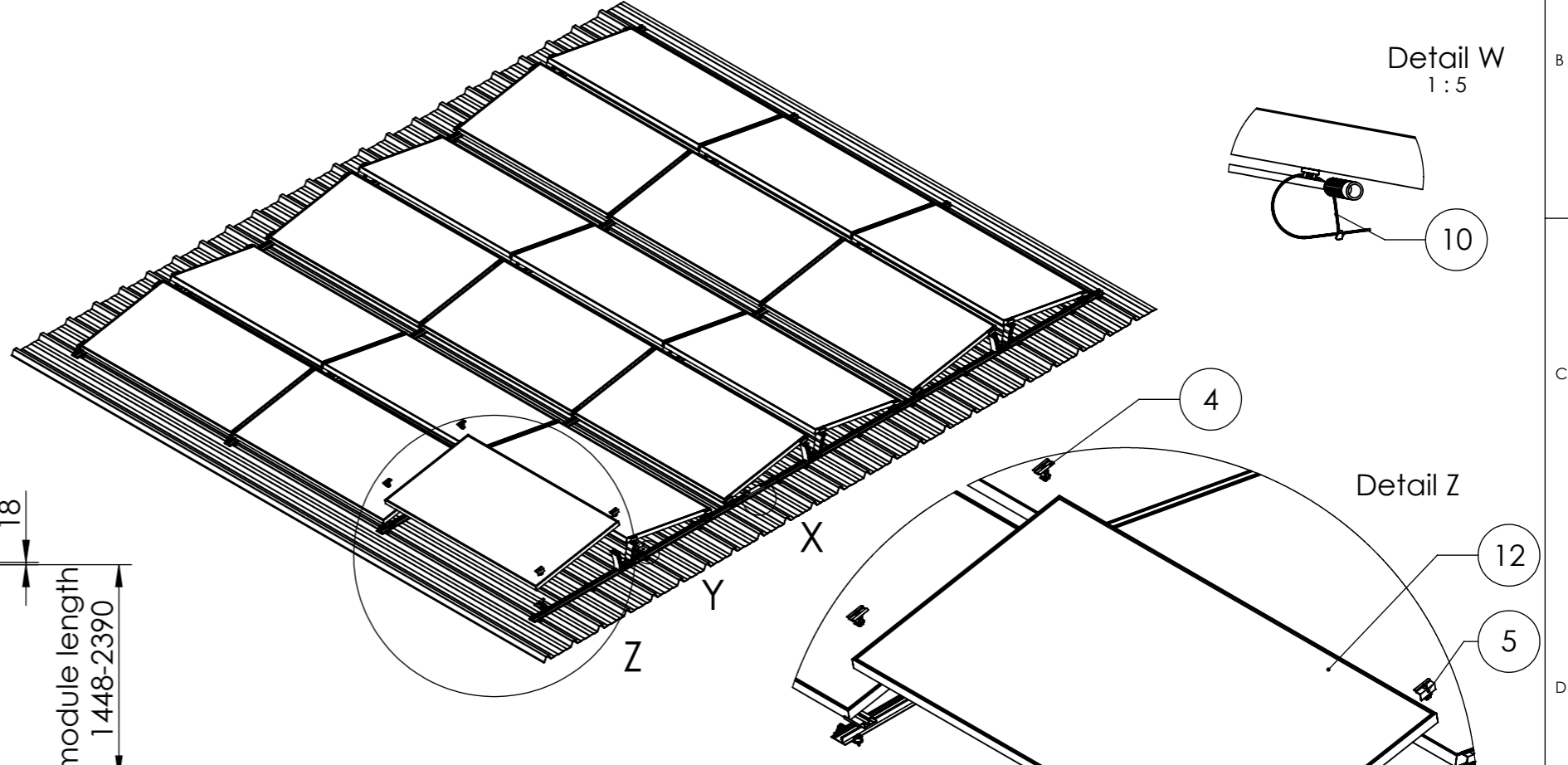
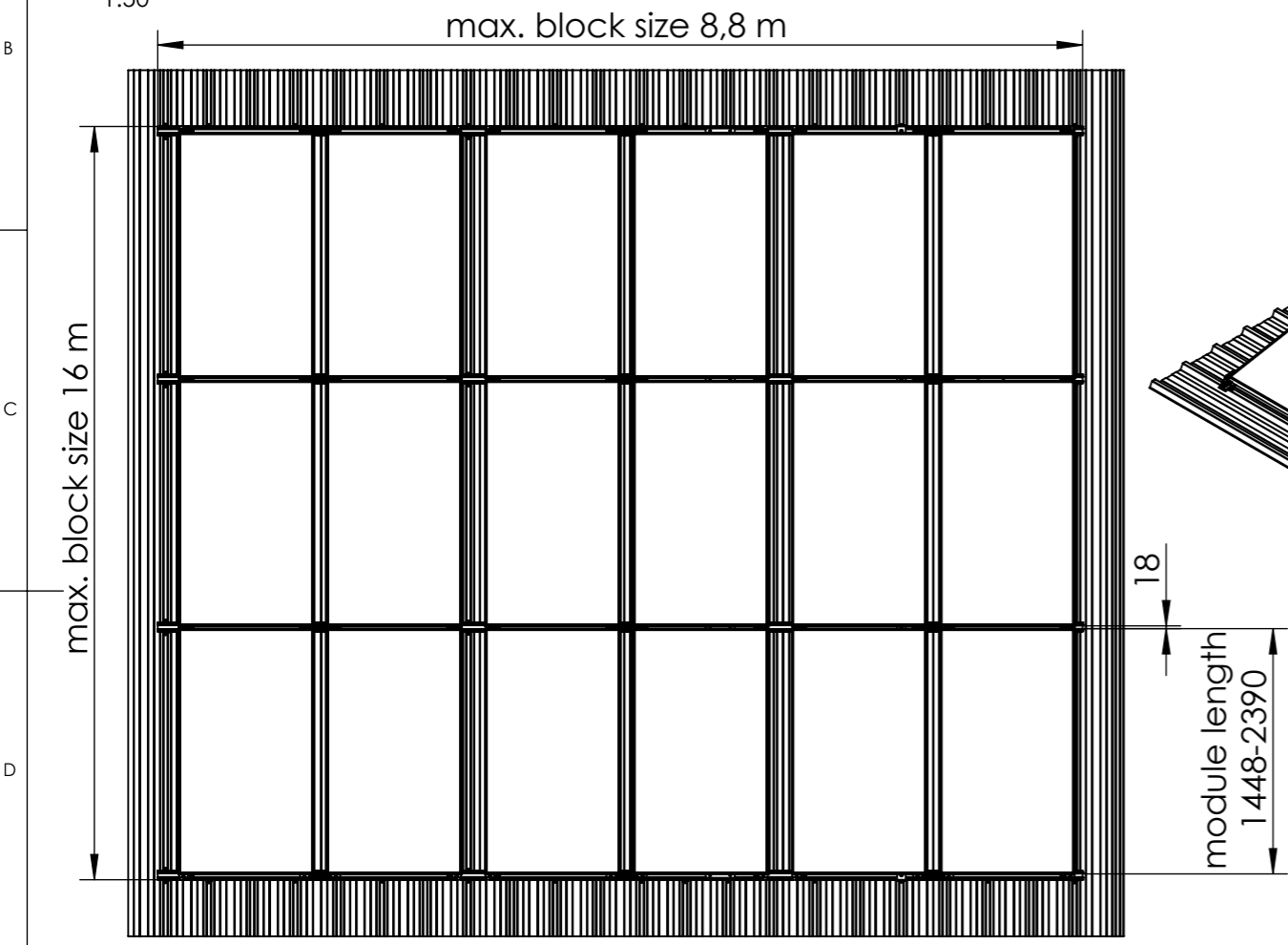


Plan view
1:50



Detail W
1:5

Detail Z

Detail Y
1:5

Detail X
1:10

Pos.No.	Designation	optional
1	Dome 6.10 Peak	
2	Dome 6.10 SD	
3	BasicRail 22	
4	DomeClamp MC Set	
5	DomeClamp EC Set	
6	BasicClip	
7	BasicLock 22 Set	
8	Dome FlatConnector Set	X
9	MK2	
10	CableManager	X
11	Socket head bolt serrated - sim. ISO 4762 - M8x20	
12	Module	

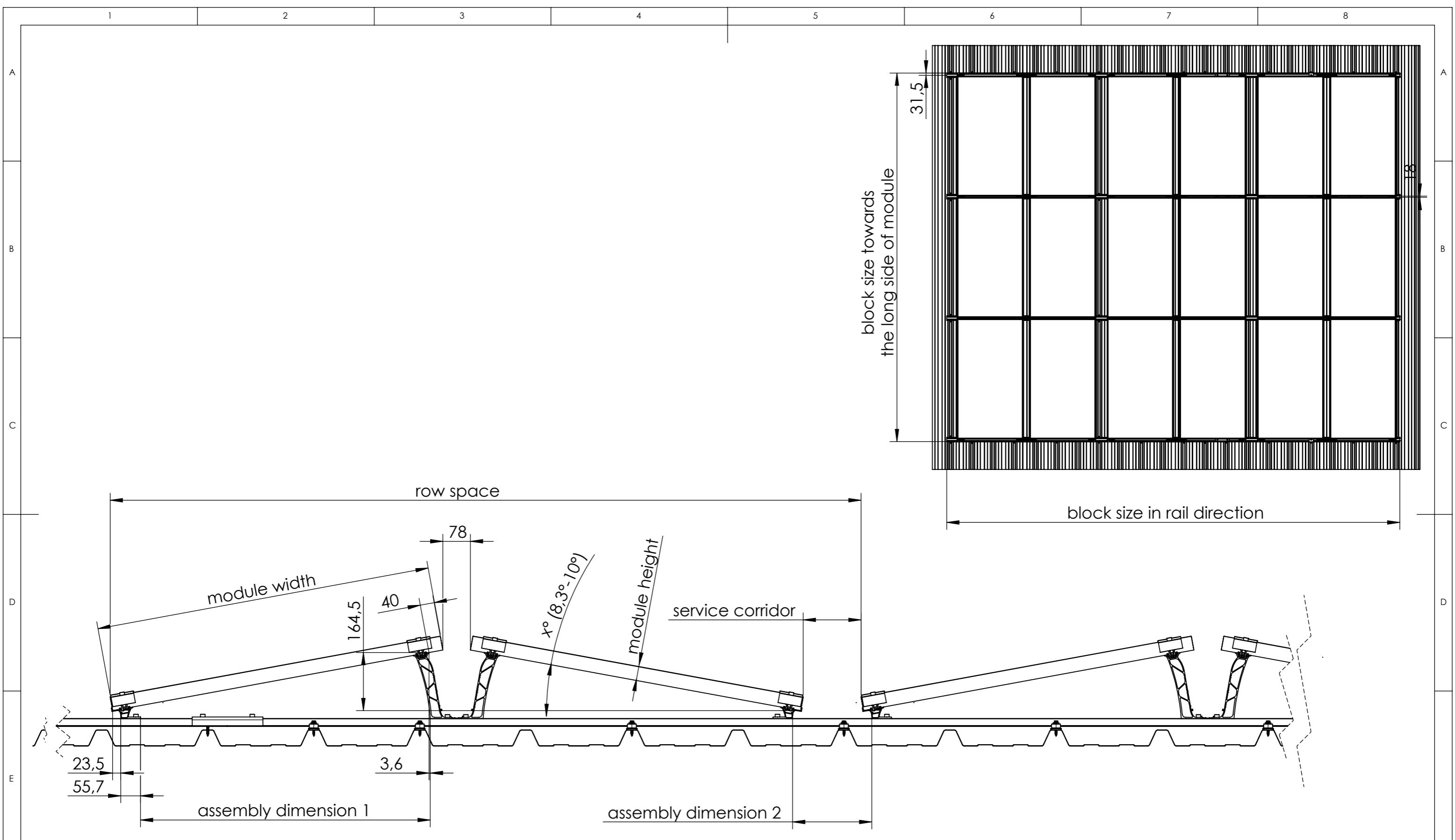


K2 Systems GmbH
Industriestr. 18
71272 Renningen
Germany
+49 7159 42059-0


Designation:
**Data sheet
D-Dome 6.10 Classic
trapezoidal roof**

Designed	A. Gerstenberger	Date	26.10.2022	Material:	-	Item no.:	---	A3
Approved	E. Markou	Date	05.05.2023	Surface:	-	Drawing no.:	07-178-01	All dimensions in mm
Last change	A. Gerstenberger	Date	05.05.2023	Weight:	-	Scale:	1:20	Sheet 1 of 2

This drawing is the sole property of K2 Systems GmbH. It is protected by copyright and may only be copied, reproduced or distributed to a third party with explicit permission!



$x^\circ = \arcsin((164,5) / (\text{module width} - 40))$
 assembly dimension 1 = $(\text{module width} - 40) * \cos(x^\circ) - 23,5 - 55,7 + 3,6$
 assembly dimension 2 = $\text{row space} - 2 * (\text{module width} * \cos(x^\circ) - 23,5) - 78$
 service corridor = $\text{assembly dimension 2} - 2 * 23,5$
 block size in rail direction = $\text{row space} * \text{quantity of rows} - \text{service corridor}$
 block size towards the long side of module = $(\text{module length} + 18) * \text{number of columns} - 18 + 2 * 31,5$

	K2 Systems GmbH Industriestr. 18 71272 Renningen Germany +49 7159 42059-0			Designation: Data sheet D-Dome 6.10 Classic trapezoidal roof										
	<table border="1"> <thead> <tr> <th>Name</th> <th>Date</th> <th>Material:</th> </tr> </thead> <tbody> <tr> <td>Designed A. Gerstenberger</td> <td>26.10.2022</td> <td>-</td> </tr> <tr> <td>Approved E. Markou</td> <td>05.05.2023</td> <td>Surface: -</td> </tr> <tr> <td>Last change A. Gerstenberger</td> <td>05.05.2023</td> <td>Weight: -</td> </tr> </tbody> </table>	Name	Date	Material:	Designed A. Gerstenberger	26.10.2022	-	Approved E. Markou	05.05.2023	Surface: -	Last change A. Gerstenberger	05.05.2023	Weight: -	Item no.: ---
Name	Date	Material:												
Designed A. Gerstenberger	26.10.2022	-												
Approved E. Markou	05.05.2023	Surface: -												
Last change A. Gerstenberger	05.05.2023	Weight: -												
Drawing no.: 07-178-01			All dimensions in mm											
Scale: 1:10			Sheet 2 of 2											
This drawing is the sole property of K2 Systems GmbH. It is protected by copyright and may only be copied, reproduced or distributed to a third party with explicit permission!														