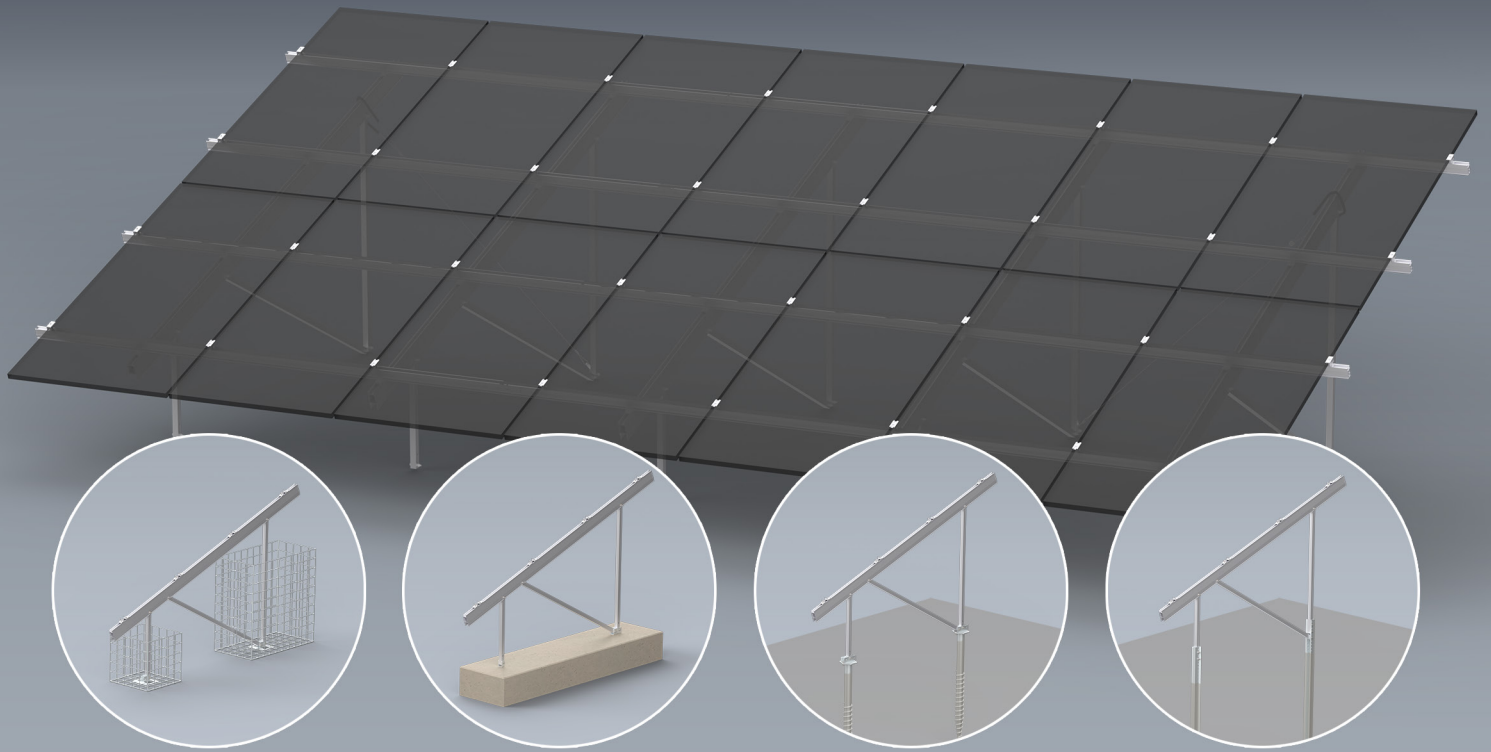




Connecting Strength



 Assembly instructions

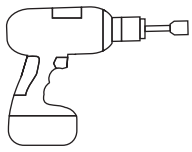
# N-Rack Kit

Gabions, Concrete, Ground Screws  
and Pile-driven Foundations

# Content

<b>Main tools</b>	<b>3</b>	<b>Ground screw foundations</b>	<b>26</b>
		• General guidelines	26
<b>General safety information</b>	<b>4</b>	• Additional tools	26
		• Components	27
<b>The following guidelines apply</b>	<b>5</b>	• Installation	28
• Important assembly instructions	5	• Foundation work and spacing	28
• Static information	5	• Connecting supports	29
<b>Overview of the main components</b>	<b>6</b>	<b>Pile-driven foundations</b>	<b>30</b>
• N-Rack Top Kits	6	• General guidelines	30
• N-Rack Ground Kits	6	• Additional tools	30
• Gabions	6	• Components	31
• Concrete foundations	6	• Installation	32
• Ground Screw foundations	7	• Foundation work	32
• Pile-driven foundations	7	• Spacing	32
		• Connecting supports	33
<b>List of articles</b>	<b>8</b>	<b>8 Installing mounting rails and modules</b>	<b>34</b>
• N-Rack Top Kits	8	• Components from the N-Rack Top Kit	34
• Small parts	9	• Installation	35
• N-Rack Ground Kits	10	• Connecting the CrossRail mounting rail	36
• Gabion	10	• Module installation	36
• Concrete	10		
• Ground screw	11		
• Pile	11	<b>Setting up wind bracing</b>	<b>38</b>
<b>Pre-assembly of module supports</b>	<b>12</b>	<b>12 System data sheets</b>	<b>40</b>
• Components from the N-Rack Top Kit and N-Rack Ground Kit	12	• Gabions	40
• Supports	13	• Gabion Kit 2×7 S	40
		• Gabion Kit 2×7 L	42
<b>Gabions</b>	<b>14</b>	• Gabion Kit 2×12 S	44
• General guidelines	14	• Gabion Kit 2×12 L	46
• Additional tools	14	• Concrete foundations	<b>48</b>
• Components	14	• Concrete Kit 2×7 S	48
• Installation	15	• Concrete Kit 2×7 L	50
• Preparing gabions	16	• Concrete Kit 2×12 S	52
• Spacing	16	• Concrete Kit 2×12 L	54
• Positioning gabions	16	• Ground screw foundations	<b>56</b>
• Connecting supports	17	• Groundscrew Kit 2×7 S	56
• Adding bulk material	18	• Groundscrew Kit 2×7 L	58
	19	• Groundscrew Kit 2×12 S	60
		• Groundscrew Kit 2×12 L	62
<b>Concrete foundations</b>	<b>20</b>	• Pile-driven foundations	<b>64</b>
• General guidelines	20	• Pile Kit 2×7 S	64
• Additional tools	20	• Pile Kit 2×7 L	66
• Components	21	• Pile Kit 2×12 S	68
• Installation	22	• Pile Kit 2×12 L	70
• Dimensions	22		
• Spacing	22		
• Pre-drilled anchor holes	23		
• Fixing the anchors and connection	23		
• Connecting supports	24		

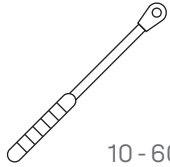
# Main tools



6 mm



8 mm



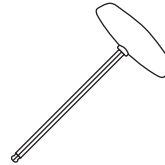
10 - 60 Nm  
(7.4 - 44.2 lb-ft)



6 mm



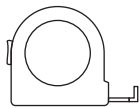
16, 17, 18, 19 mm



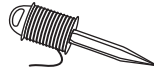
6 mm



16, 17, 18, 19 mm



≥ 3.0 m



## Quality tested - several certifications

K2 Systems stands for secure connections, highest quality and precision. Our customers and business partners have known that for a long time. Independent institutes have tested, confirmed and certified our capabilities and components.

Please find our quality and product certificates under:

[k2-systems.com](http://k2-systems.com).

# General safety information

Please note that our general mounting instructions must be followed at all times and can be viewed online at [k2-systems.com](https://www.k2-systems.com)

- The equipment may only be installed and operated by qualified and adequately trained installers.
- Prior to installation, ensure that the product complies with on-site static loading requirements. For roof-mounted systems, the roof load-bearing capacity must always be checked.
- National and local building regulations and environmental requirements must be adhered to.
- Compliance with health and safety regulations, accident prevention guidelines and applicable standards is required.
  - Protective equipment such as safety helmet, boots and gloves must be worn.
  - Roofing works must be in accordance with roofing regulations utilising fall protection safeguards when eaves height exceeds 3 m.
  - At least two people must be present for the duration of the installation work in order to provide rapid assistance in the event of an emergency.
- K2 mounting systems are continuously developed and improved and the installation process may thereby change at any time. Prior to installation consult our website at [www.k2-systems.com/en/technical-information](https://www.k2-systems.com/en/technical-information) for up-to-date instructions. We can send you the latest version on request.
- The assembly instructions of the module manufacturer must be adhered to.
- Equipotential bonding/grounding/earthing between individual parts is to be performed according to country specific standards, as well as national laws and regulations.
- At least one copy of the assembly instructions should be available on site throughout the duration of the installation.
- Failure to adhere to our general safety and assembly instructions and not using all system components, K2 is not liable for any resulting defects or damages. We do not accept liability for any damage resulting in the use of competitor's parts. Warranty is excluded in such cases.
- K2 Systems GmbH reserves the right to exclude liability in case of disregard of our General Safety Instructions as well as in case of installation or mounting of components of a competitor.
- If all safety instructions are adhered to and the system is correctly installed, there is a product warranty entitlement of 12 years! We strongly recommend reviewing our terms of guarantee, which can be viewed at [k2-systems.com/en/warranty-terms-and-conditions](https://www.k2-systems.com/en/warranty-terms-and-conditions) We will also send this information on request.
- Dismantling of the system is performed in reverse order to the assembly.
- K2 stainless steel components are available in different corrosion resistance classes. Each structure or component must be carefully checked for possible corrosion exposure.

# The following guidelines apply

This system can be used without further testing by K2 systems under the following standard conditions. It is also suitable for higher requirements, however if a value exceeds the standard conditions, please contact K2 Systems.



## Important assembly instructions

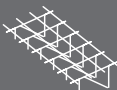


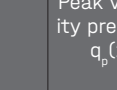
- The general standards and regulations for lightning protection must be observed on site and, where appropriate, a specialist must be consulted in order to draw up a lightning protection concept (use a lightning protection clamp if necessary). Country-specific regulations must be observed.
- Observe the permissible clamping range according to the module manufacturers installation manuals.
- Module frame heights: 25 - 40 mm



## Static information

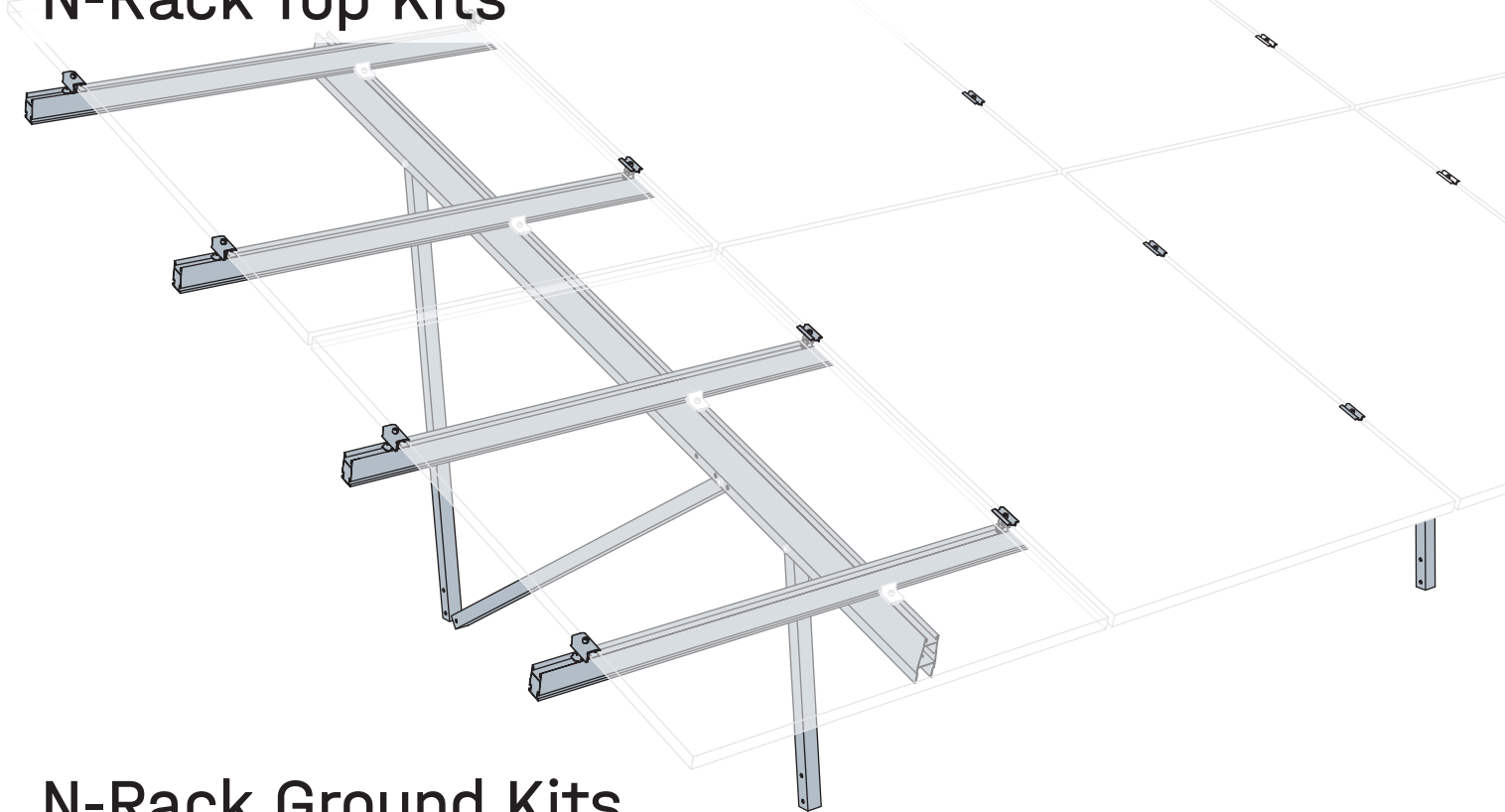
Different static specifications apply depending on the foundations of the N-Rack Kits. This information can be found in the respective section:

- Gabions Page 14
- Concrete foundations Page 20
- Ground Screw foundations Page 26
- Pile-driven foundations Page 30

N-Rack Top Kit	Number of modules	Module sizes		Permissible loads		Lifting support forces	Vertical support forces	Horizontal support forces
		Length [mm]	Width [mm]	Peak velocity pressure $q_p(z)$ kN/m <sup>2</sup>	Snow load on ground level $s_k$ kN/m <sup>2</sup>	kN	kN	kN
	14	1,722 - 1,905	≤ 1,150	0.67	1.75	-6.27	12.17	0.97
	14	1,906 - 2,384	≤ 1,150	0.67	1.75	-6.29	11.92	0.96
	24	1,722 - 1,905	≤ 1,150	0.67	1.75	-7.03	13.63	1.09
	24	1,906 - 2,384	≤ 1,150	0.67	1.75	-6.66	12.63	1.02

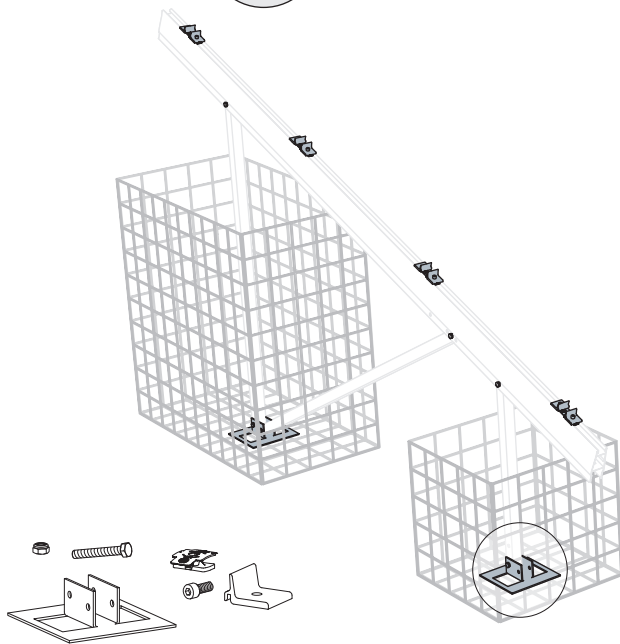
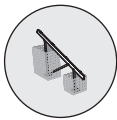
# Overview of the main components

## N-Rack Top Kits



## N-Rack Ground Kits

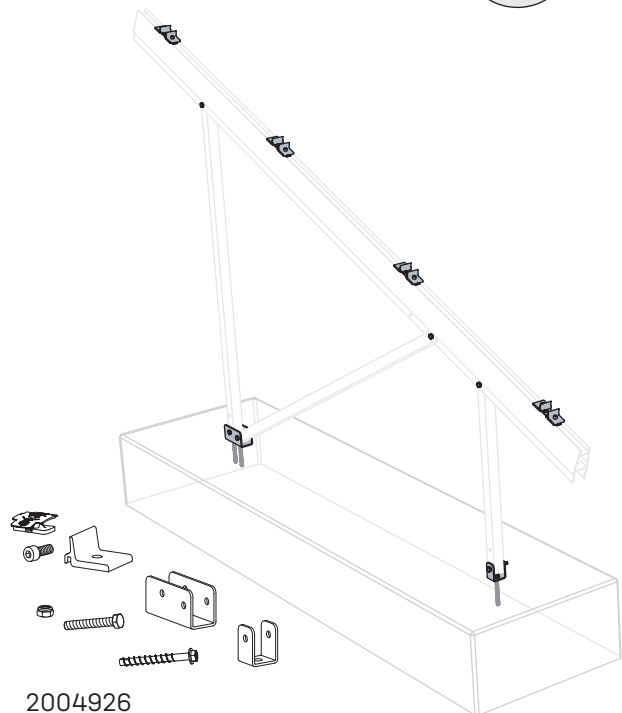
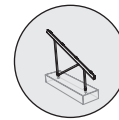
### Gabions



2005110  
**N-Rack Ground Kit Gabion**  
See page 14!

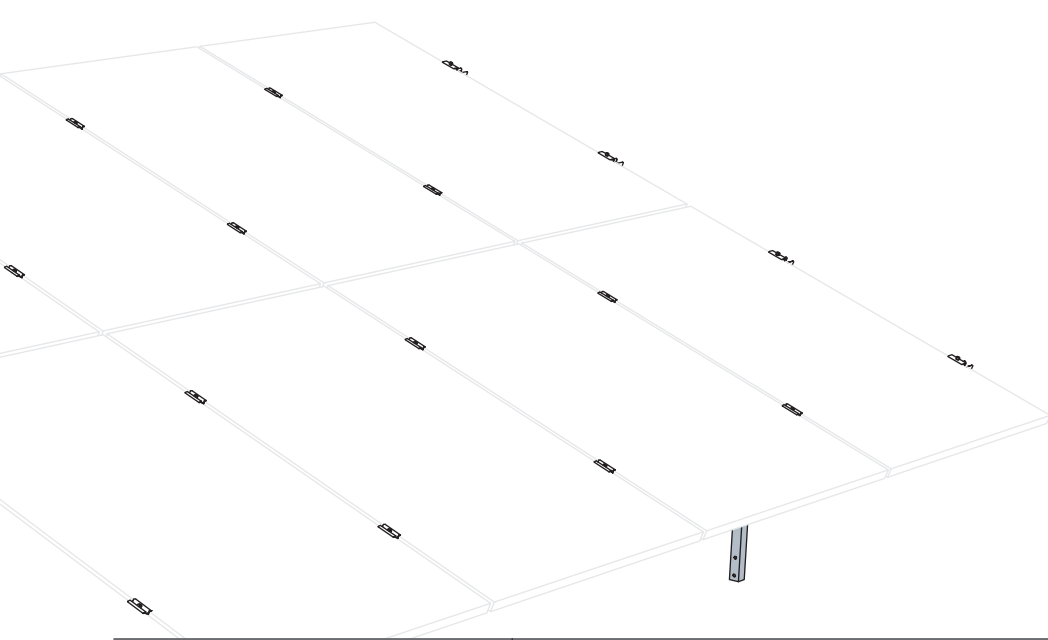
Note: Gabions have to be sourced separately.

### Concrete foundations



2004926  
**N-Rack Ground Kit Concrete**  
See page 20!

Note: Concrete foundations have to be sourced separately.

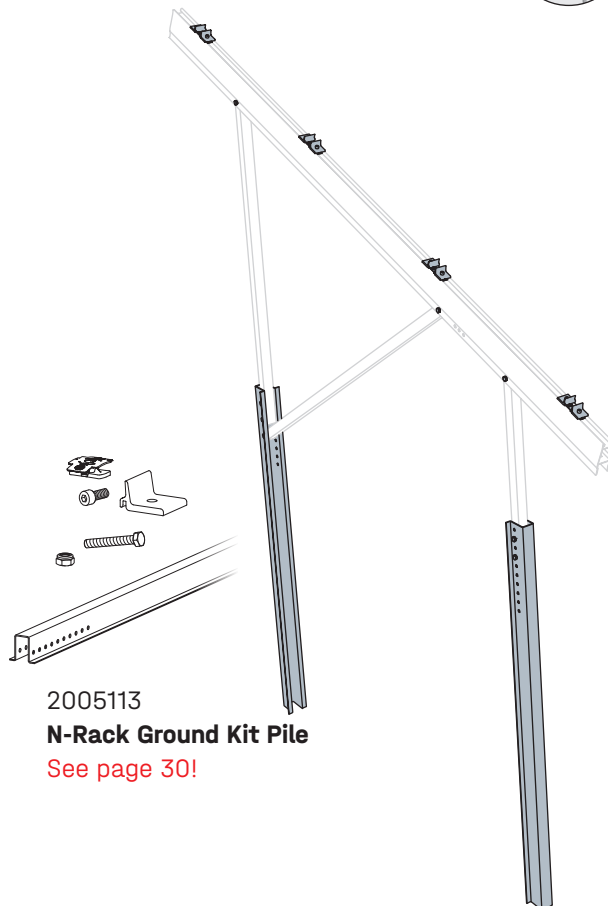
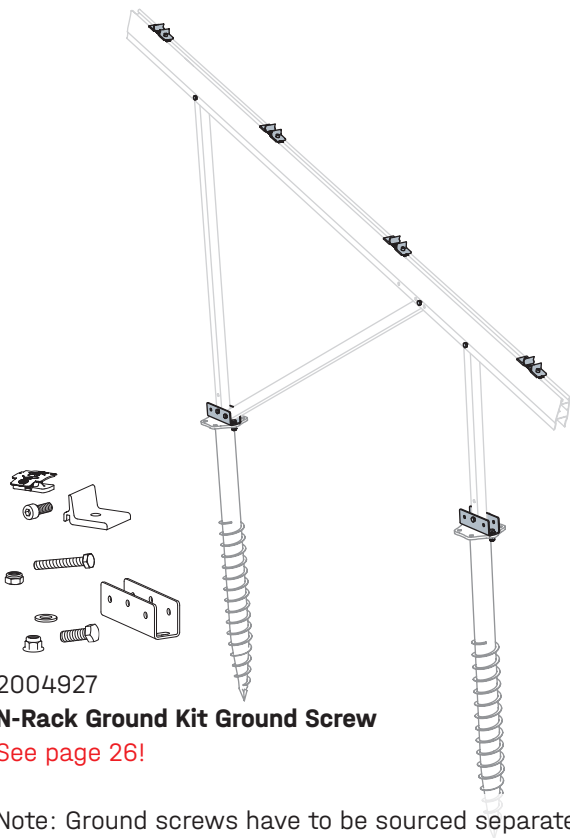


N-Rack Ground Kit		N-Rack Top Kit			
		2×7		2×12	
		S	L	S	L
<b>Module lengths</b> <b>S:</b> 1,722 - 1,905 mm <b>L:</b> 1,906 - 2,384 mm <b>Module widths</b> <b>S/L:</b> ≤1,150 mm		 1× 2004925	 1× 2004924	 1× 2005048	 1× 2005047
Foundation type	Article no.	Required quantity of N-Rack Ground Kits per N-Rack Top Kit			
Gabions	2005110				
Concrete foundations	2004926				
Ground Screw foundations	2004927	4×	5×	6×	8×
Pile-driven foundations	2005113				

## Ground Screw foundations



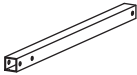
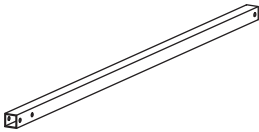
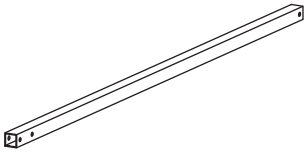
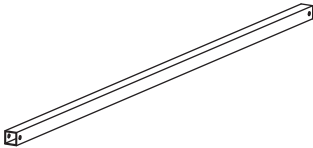
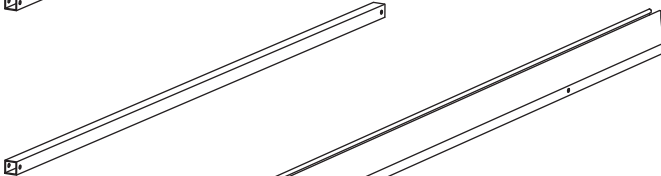
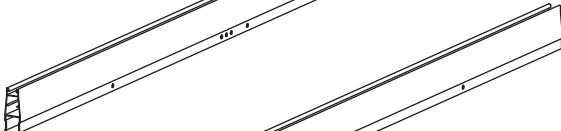
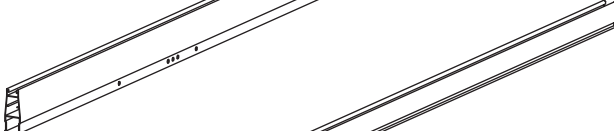
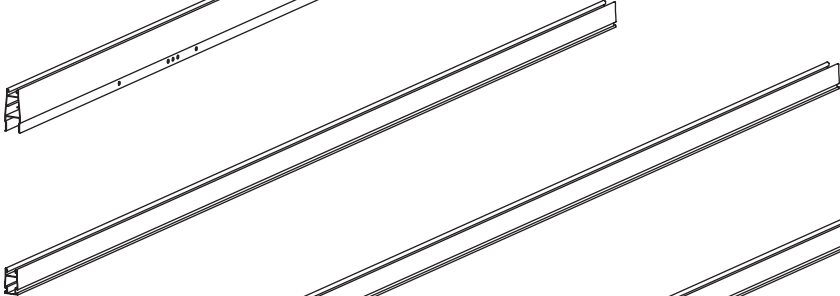
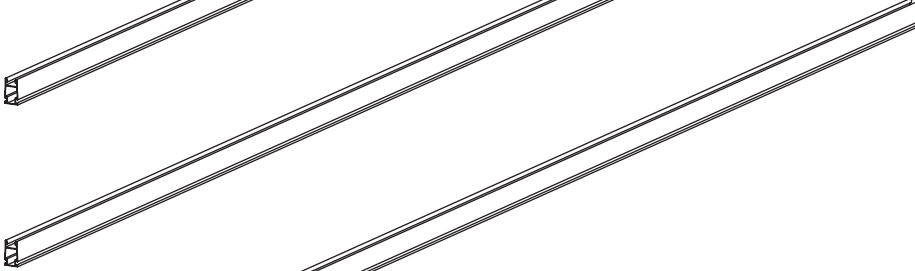

## Pile-driven foundations



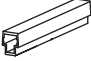

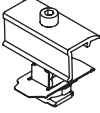
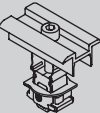
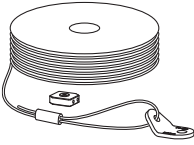
Note: Ground screws have to be sourced separately.

# List of articles

## N-Rack Top Kits

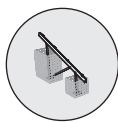
Article quantity				Article	
2x7		2x12			
S	L	S	L		
4x	5x	6x	8x	2004401 <b>3-Hole Brace</b> <b>N-Rack 715</b>	
4x		6x		2004402 <b>3-Hole Brace</b> <b>N-Rack 1370</b>	
	5x	8x		2004403 <b>3-Hole Brace</b> <b>N-Rack 1625</b>	
4x		6x		2004404 <b>2-Hole Brace</b> <b>N-Rack 1696</b>	
	5x	8x		2004411 <b>2-Hole Brace</b> <b>N-Rack 2072</b>	
	5x	8x		2004399 <b>Beam N-Rack</b> <b>3750</b>	
4x		6x		2004400 <b>Beam N-Rack</b> <b>3020</b>	
4x	4x			2005064 <b>CrossRail 73</b> <b>3.3 m</b>	
		8x	8x	2004460 <b>CrossRail 73</b> <b>4.55 m</b>	
4x	4x	4x	4x	2004461 <b>CrossRail 73</b> <b>5 m</b>	

## Small parts

Article quantity				Article	
2×7		2×12			
S	L	S	L		
4×	4×	8×	8×	2004409 <b>CrossRail 73 Connector</b>	
20×	20×	40×	40×	1001051 <b>Drilling Screw 5.5 × 25 A2</b>	
8×	8×	8×	8×	2004543 <b>K2 Clamp EC 25 - 40</b>	
24×	24×	44×	44×	2004146 <b>K2 Clamp MC 25 - 40</b>	
2×	2×	2×	2×	2004410 <b>Wind Bracing Set</b>	

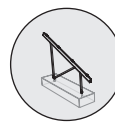
# N-Rack Ground Kits

## Gabion



Article quantity	Article	
2×	2005109 <b>N-Rack Gabion Foot</b>	
7×	2004408 <b>Hexagon Head Screw M10 × 70</b>	
7×	1002849 <b>Hexagon Locking Nut M10</b>	
8×	2003145 <b>Climber 36/50 Set</b>	

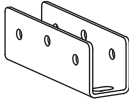





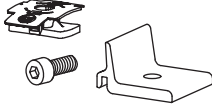
## Concrete



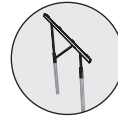
Article quantity	Article	
1×	2004391 <b>N-Rack Foot Front</b>	
1×	2004392 <b>N-Rack Foot Back</b>	
3×	2004407 <b>Heco Multi-Monti 12 × 105</b>	
7×	2004408 <b>Hexagon Head Screw M10 × 70</b>	
7×	1002849 <b>Hexagon Locking Nut M10</b>	
8×	2003145 <b>Climber 36/50 Set</b>	

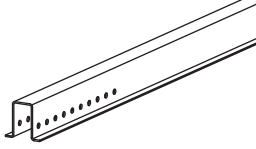



## Ground screw



Article quantity	Article	
2×	2004896 <b>N-Rack GS Foot</b>	
4×	2004902 <b>Hexagon Head Screw M12 × 35</b>	
4×	2004910 <b>Washer M12</b>	
4×	2004903 <b>Hexagon Nut M12</b>	
9×	2004408 <b>Hexagon Head Screw M10 × 70</b>	
9×	1002849 <b>Hexagon Lock- ing Nut M10</b>	
8×	82003145 <b>Climber 36/50 Set</b>	

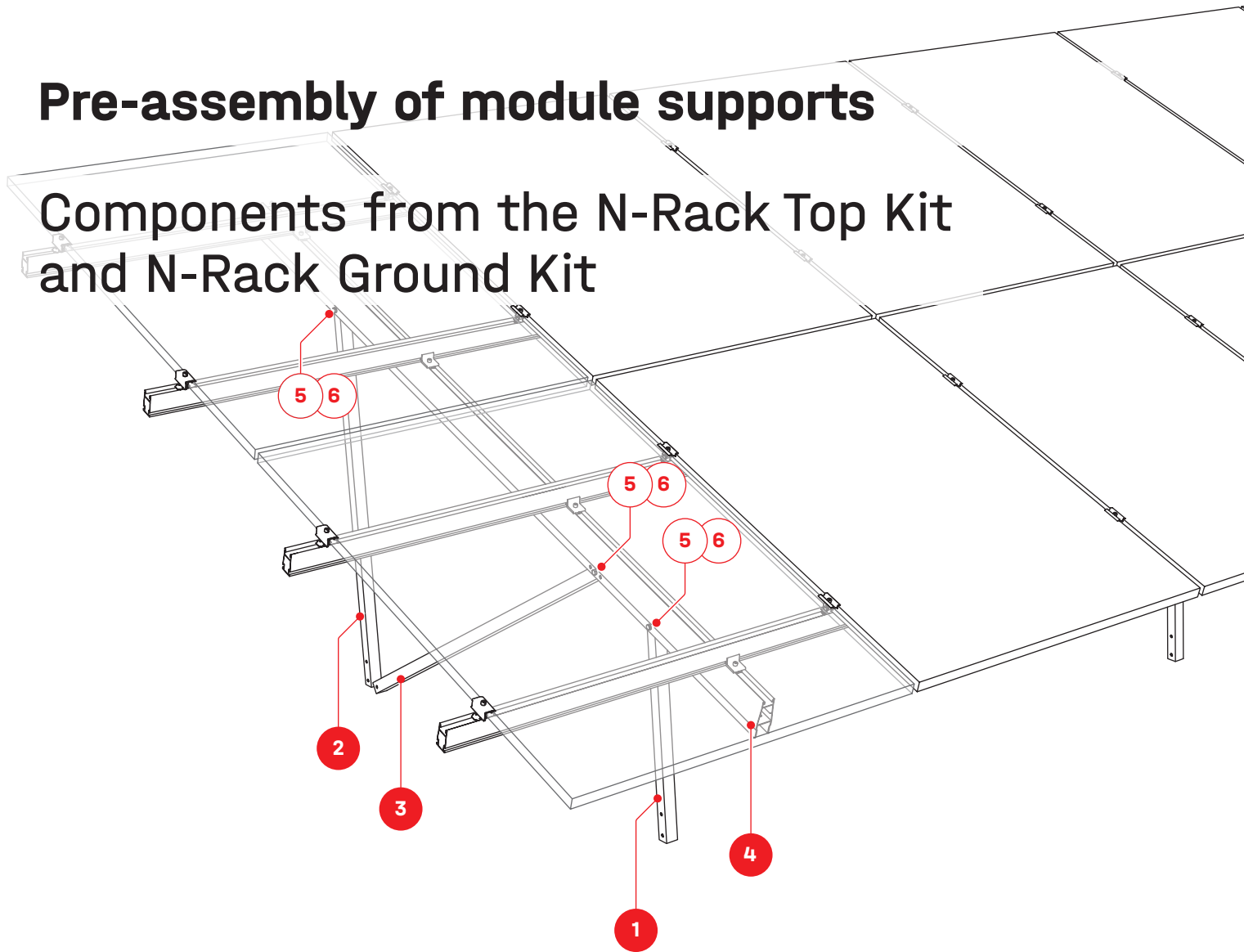
## Pile



Article quantity	Article	
2×	2005112 <b>Cap Profile N-Rack 2,3 m</b>	
7×	2004408 <b>Hexagon Head Screw M10 × 70</b>	
7×	1002849 <b>Hexagon Lock- ing Nut M10</b>	
8×	2003145 <b>Climber 36/50 Set</b>	

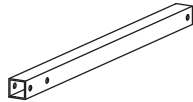
# Pre-assembly of module supports

## Components from the N-Rack Top Kit and N-Rack Ground Kit

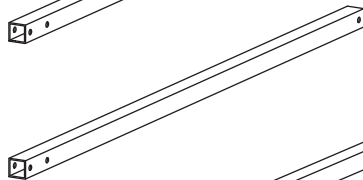


N-Rack Top Kit

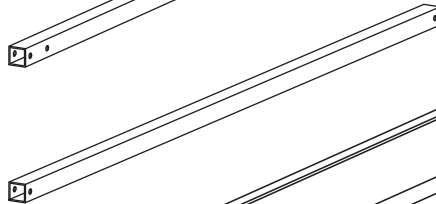
1 3-Hole Brace N-Rack



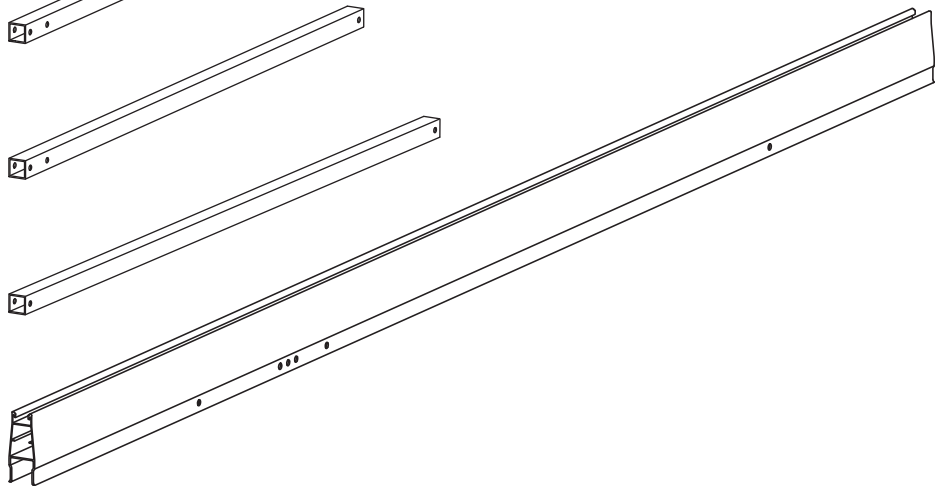
2 3-Hole Brace N-Rack



3 2-Hole Brace N-Rack



4 Beam N-Rack



N-Rack Ground Kit

5 Hexagon Head Screw with Shank M10 × 70



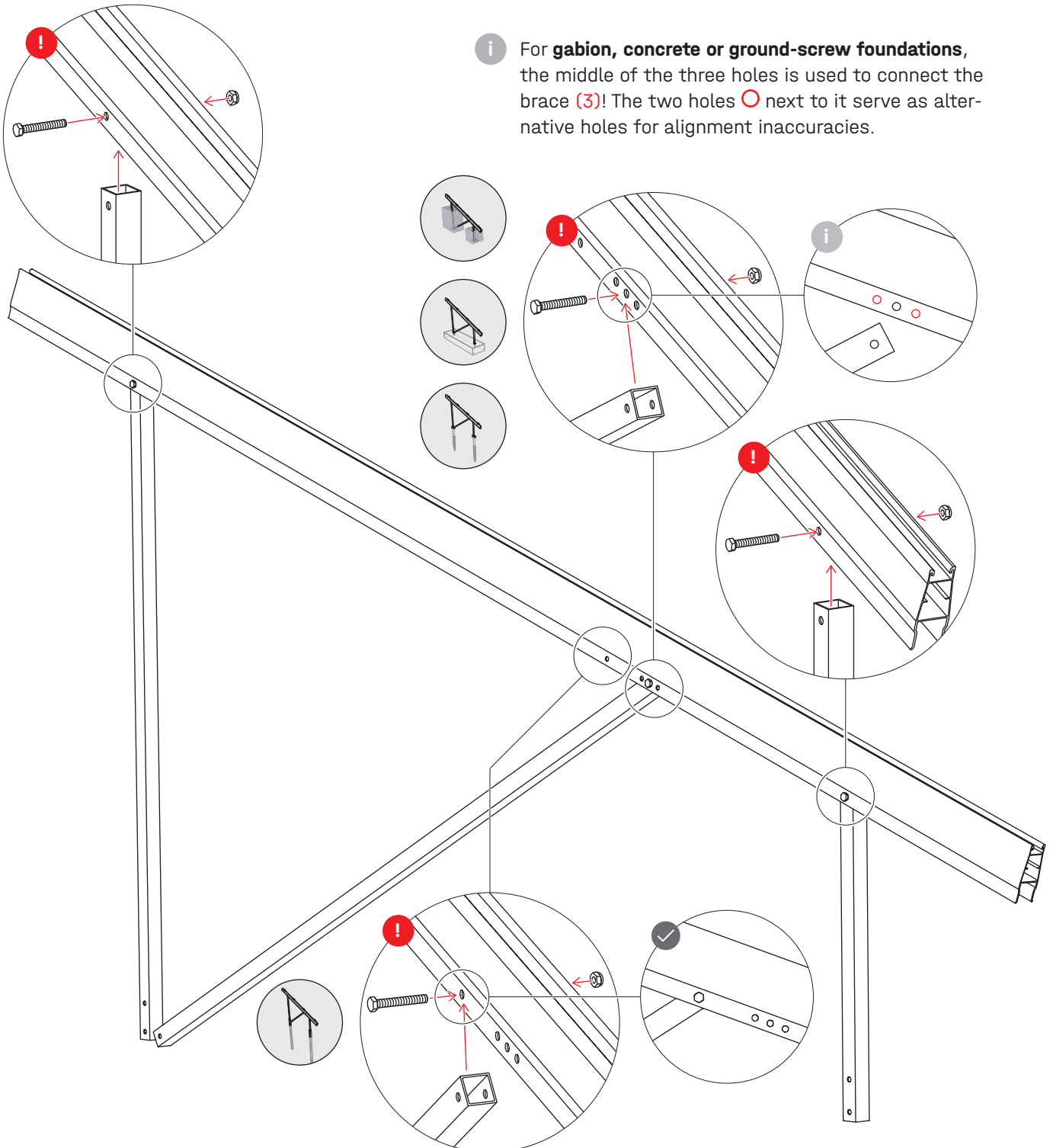
6 Hexagon Locking Nut M10



# Supports

1

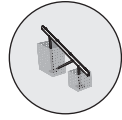
! Tighten screws only by hand.



i For **gabion, concrete or ground-screw foundations**, the middle of the three holes is used to connect the brace (3)! The two holes ○ next to it serve as alternative holes for alignment inaccuracies.

For **pile-driven foundations**, the brace (3) must be connected to the individual hole!

# Gabions



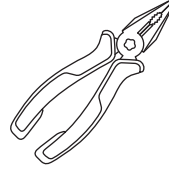
## General guidelines

## Additional tools

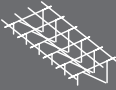





### Soil requirements

The substrate must be compressed and non-skid in accordance with the recognised rules of engineering (in particular: DIN EN 1997-1-Eurocode7-Geotechnical Design) to guarantee the permanent positional safety of the structure.



### Structural requirements

N-Rack Top Kit	Number of modules	Filling weight	
		kg	kg
			
<b>2×7 S</b>	<b>14</b>	220	700
<b>2×7 L</b>	<b>14</b>	230	700
<b>2×12 S</b>	<b>24</b>	240	790
<b>2×12 L</b>	<b>24</b>	240	740

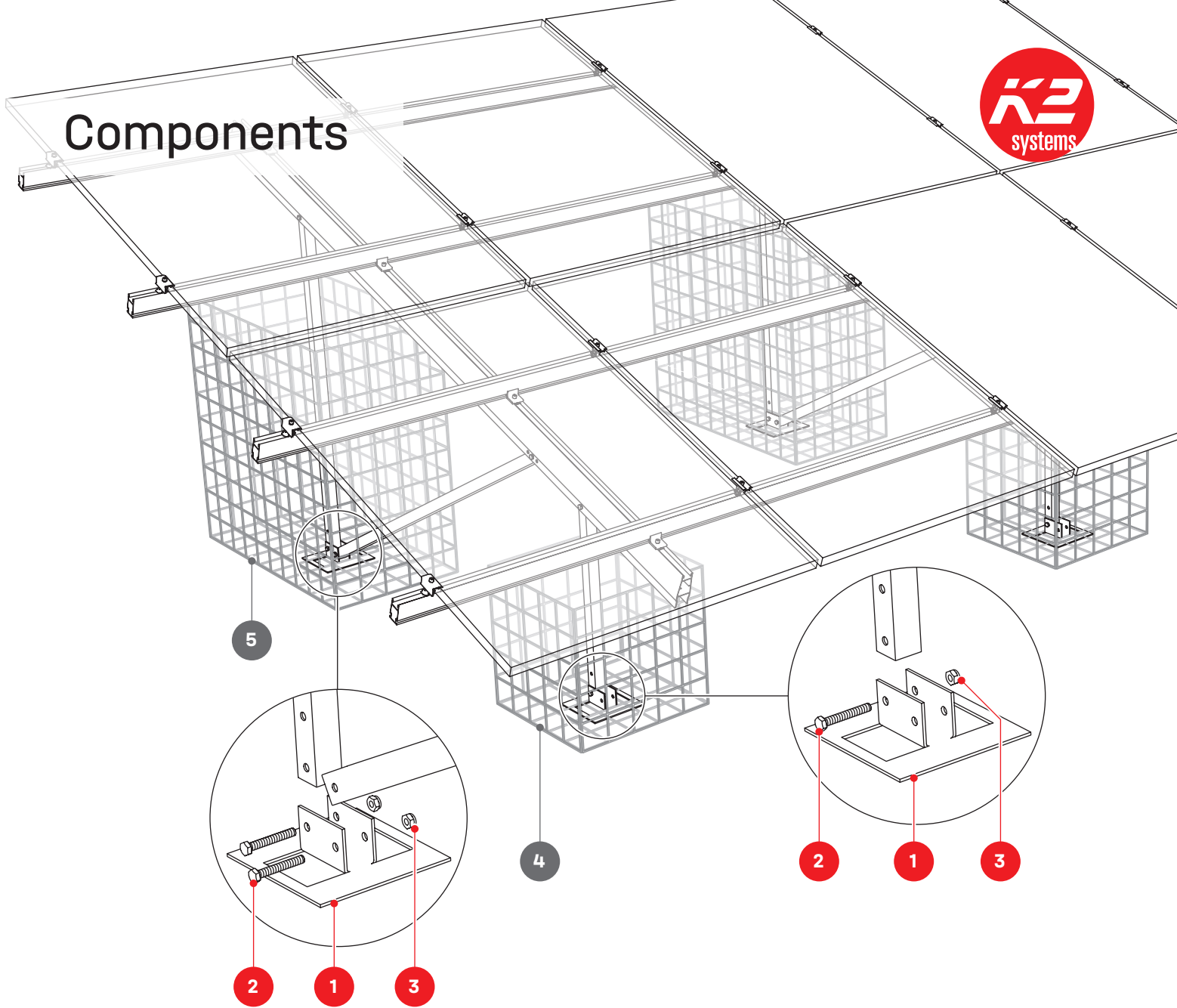
### Important notes

Gabions shall be filled with stones / aggregate that is frost- & weather-resistant, sufficiently pressure-resistant and has minimal voids.

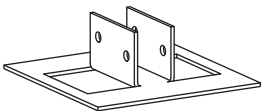
The information from the gabion manufacturer must be observed

The assembly instructions for the gabions (item no. 2005184 Gabion 50×50×50 and item no. 2005185 Gabion 100×50×100) are available here: [www.rothfuss-bestgabion.de/wp-content/uploads/2025/02/Assembly-instructions-ROKO-EN.pdf](http://www.rothfuss-bestgabion.de/wp-content/uploads/2025/02/Assembly-instructions-ROKO-EN.pdf)

# Components



## N-Rack Ground Kit Gabion



**1** 2005109  
N-Rack Gabion Foot

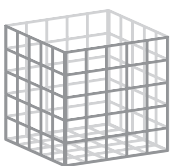


**2** 2004408  
Hexagon Head Screw  
with Shank M10 x 70

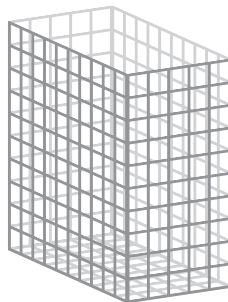


**3** 1002849  
Hexagon Locking Nut  
M10

## Required - not included



**4** 2005184  
Gabion 50x50x50  
To be sourced separately



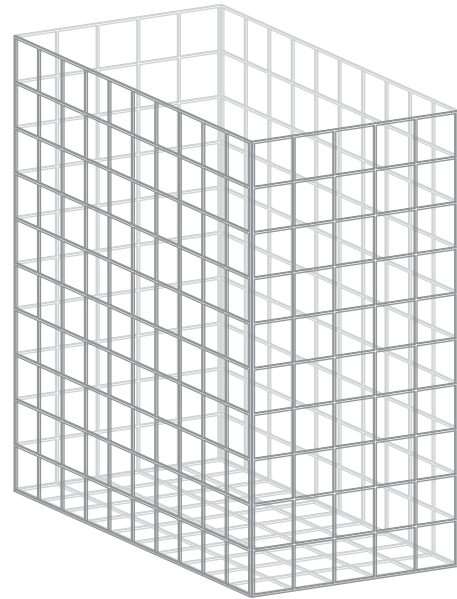
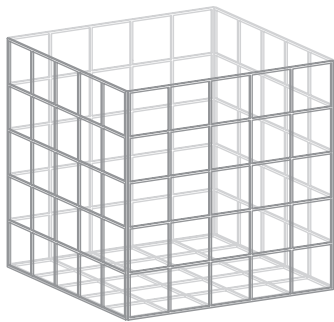
**5** 2005185  
Gabion 100x50x100  
To be sourced separately

# Installation

## Preparing gabions

**1a** Observe the manufacturer's assembly instructions when setting up the gabions.

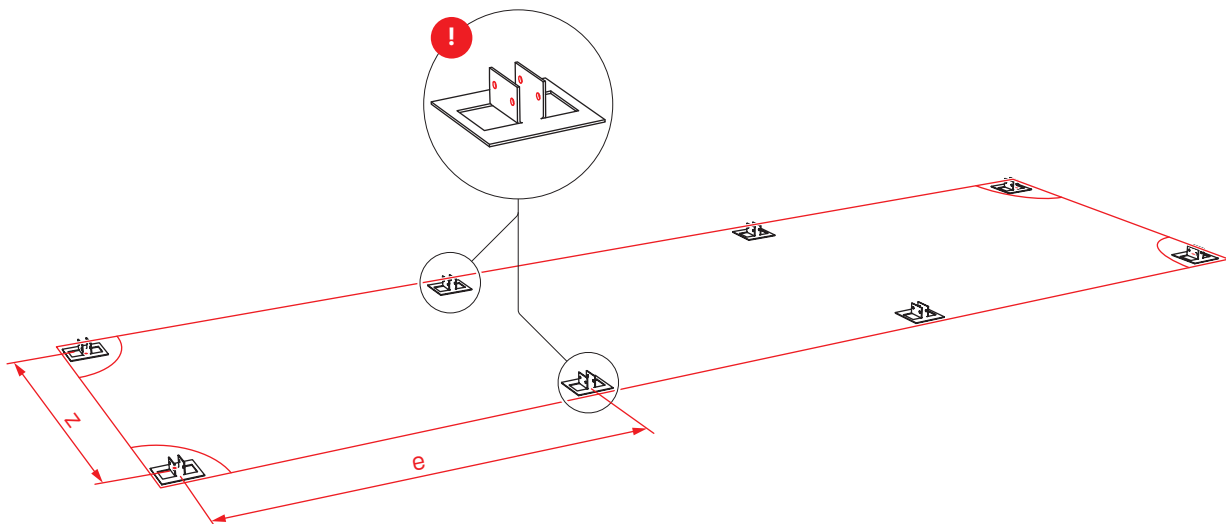
The assembly instructions for the gabions (item no. 2005184 Gabion 50×50×50 and item no. 2005185 Gabion 100×50×100) are available here: [Assembly-instructions.pdf](#)



To make it easier to install the support, the rear side mesh should remain open.

## Spacing

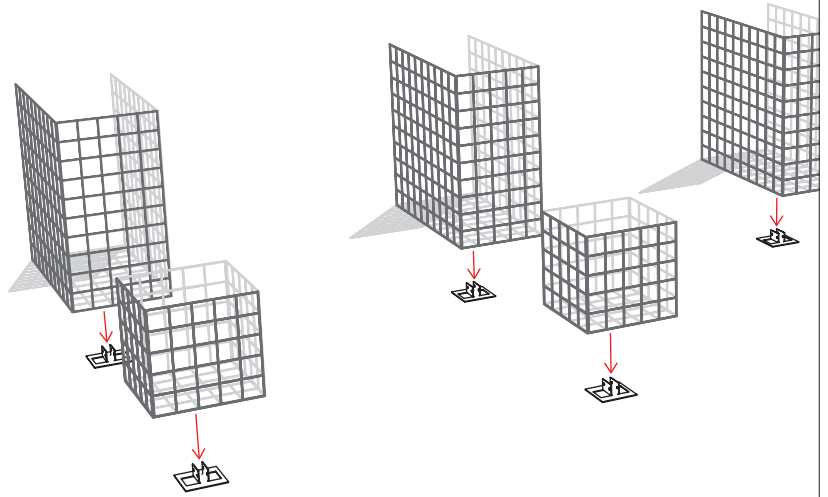
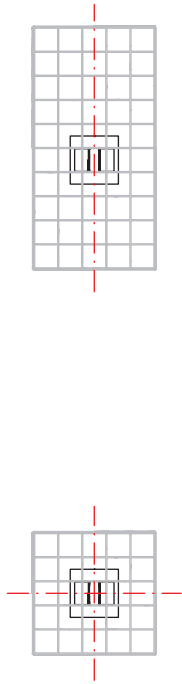
**1b** Values  $e$  and  $z$  in the system data sheets "Gabions" from page 40 onwards.



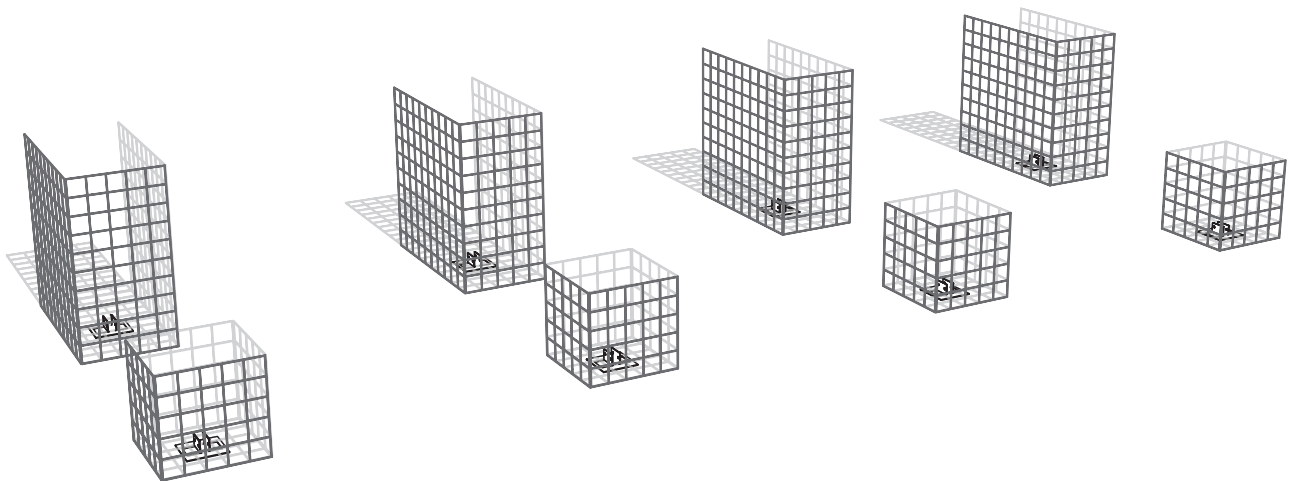
**!** Observe the alignment of the N-Rack Gabion Foot

## Positioning gabions

2a

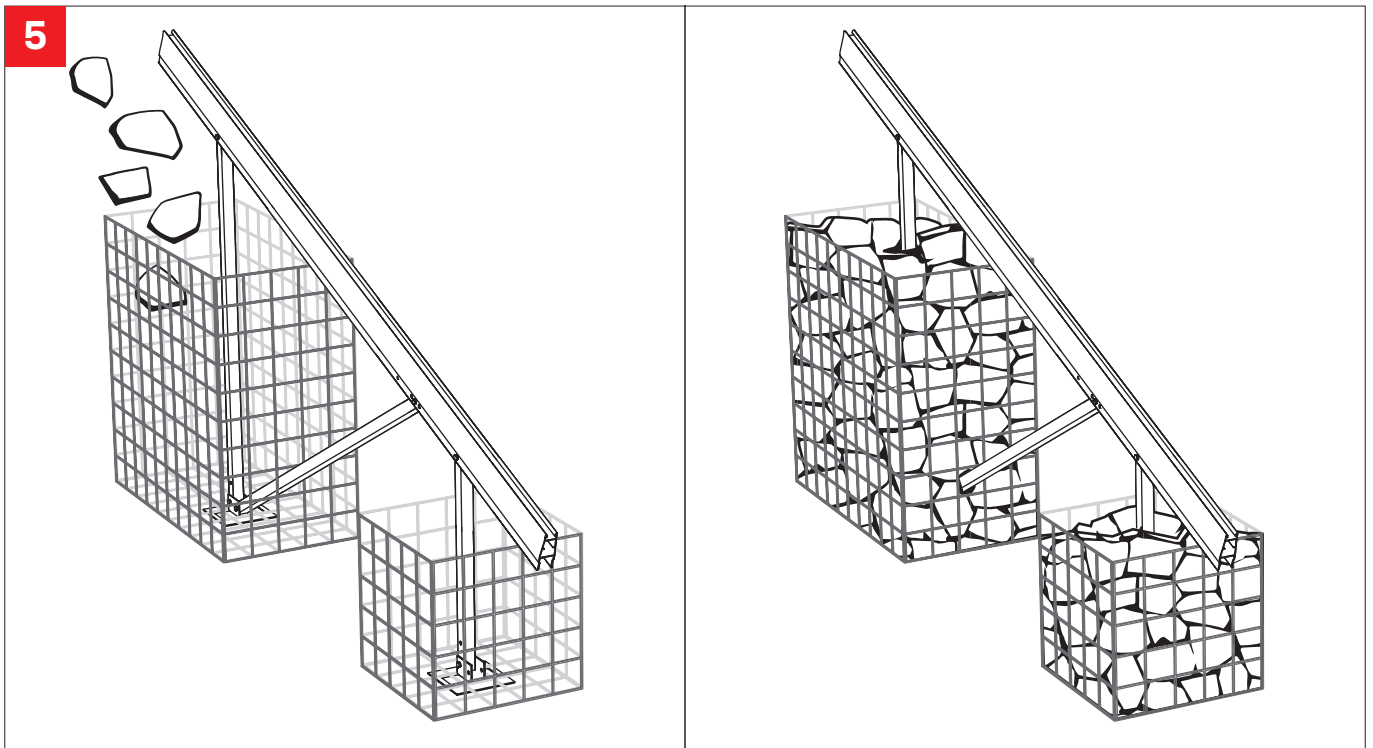


2b

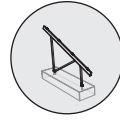




## Adding bulk material



# Concrete foundations



## General guidelines



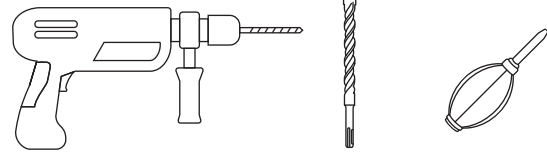
### Soil requirements

The substrate must be compressed and non-skid in accordance with the recognised rules of engineering (in particular: DIN EN 1997-1-Eurocode7-Geotechnical Design) to guarantee the permanent positional safety of the structure.

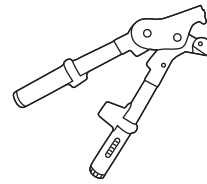
### Structural requirements

The concrete foundations are pre-dimensioned to protect against uplift and tilting as a result of the wind loads. Reinforcement of the foundations must be provided as shown in the schematic diagram "Dimensions" on page 22. Determination of the final dimension of the concrete foundations and their reinforcement plan must be checked on site.

## Additional tools

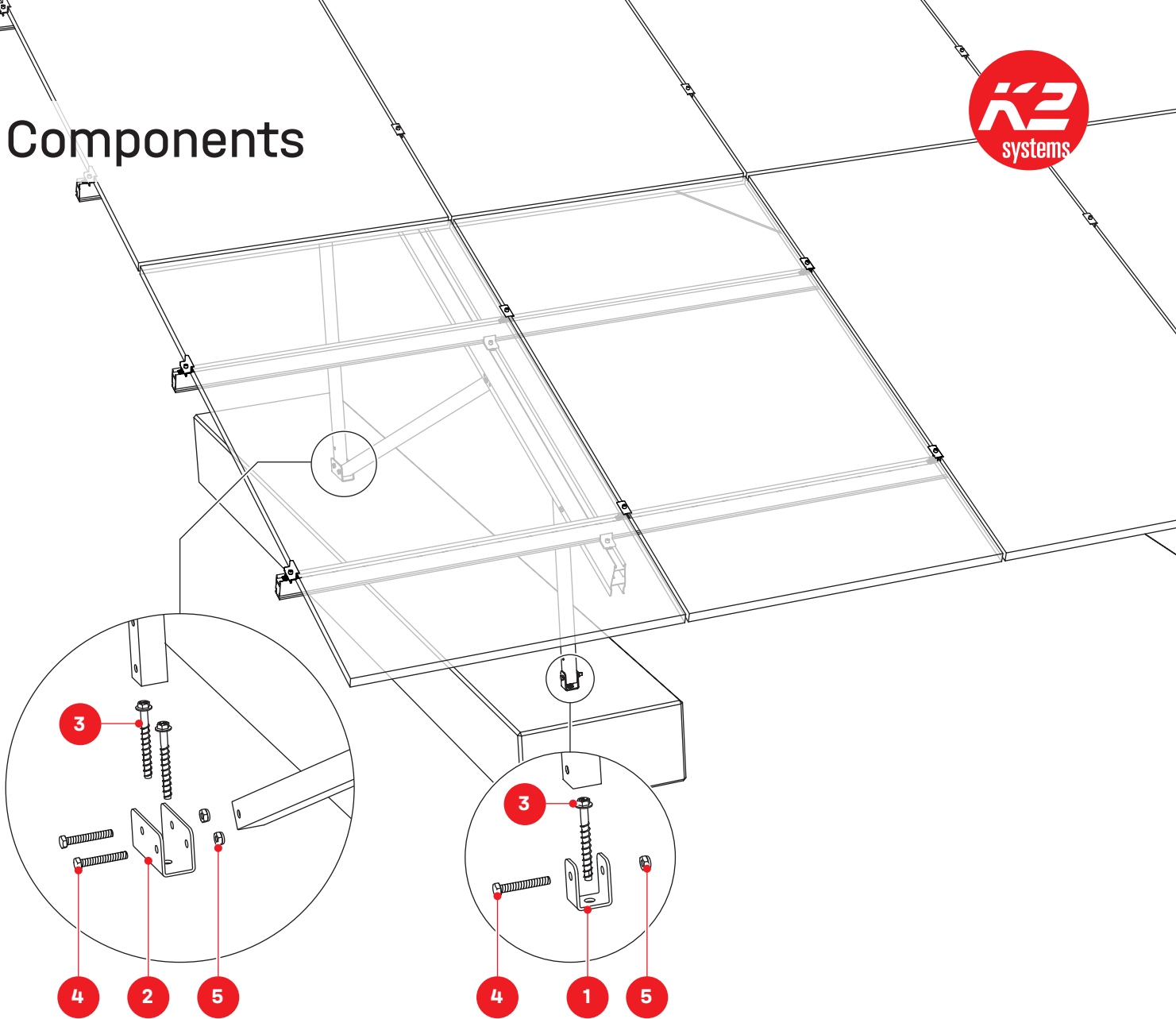


10 mm



**Gripple Collet Chuck 400** · 2004456

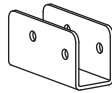
# Components



## N-Rack Ground Kit Concrete



**1** 2004391  
N-Rack Concrete Foot Front



**2** 2004392  
N-Rack Concrete Foot Back



**3** 2004407  
Heco Multi-Monti 12 × 105



**4** 2004408  
Hexagon Head Screw  
with Shank M10 × 70

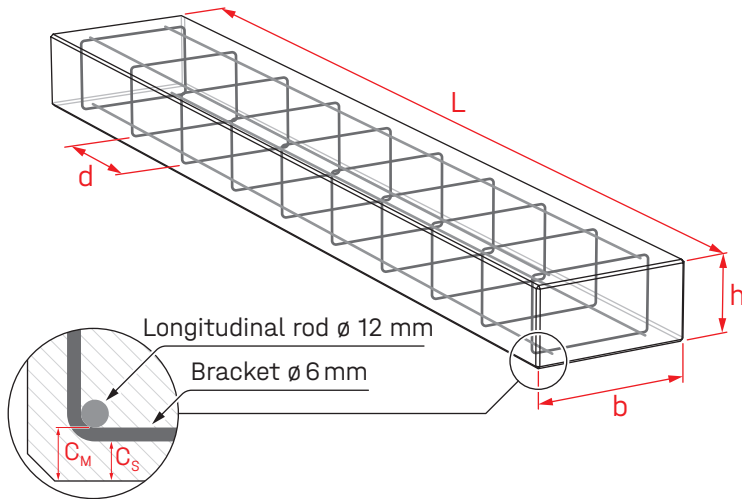


**5** 1002849  
Hexagon Locking Nut  
M10

# Installation

## Dimensions

**i** The concrete foundations must be sourced separately and build on site.

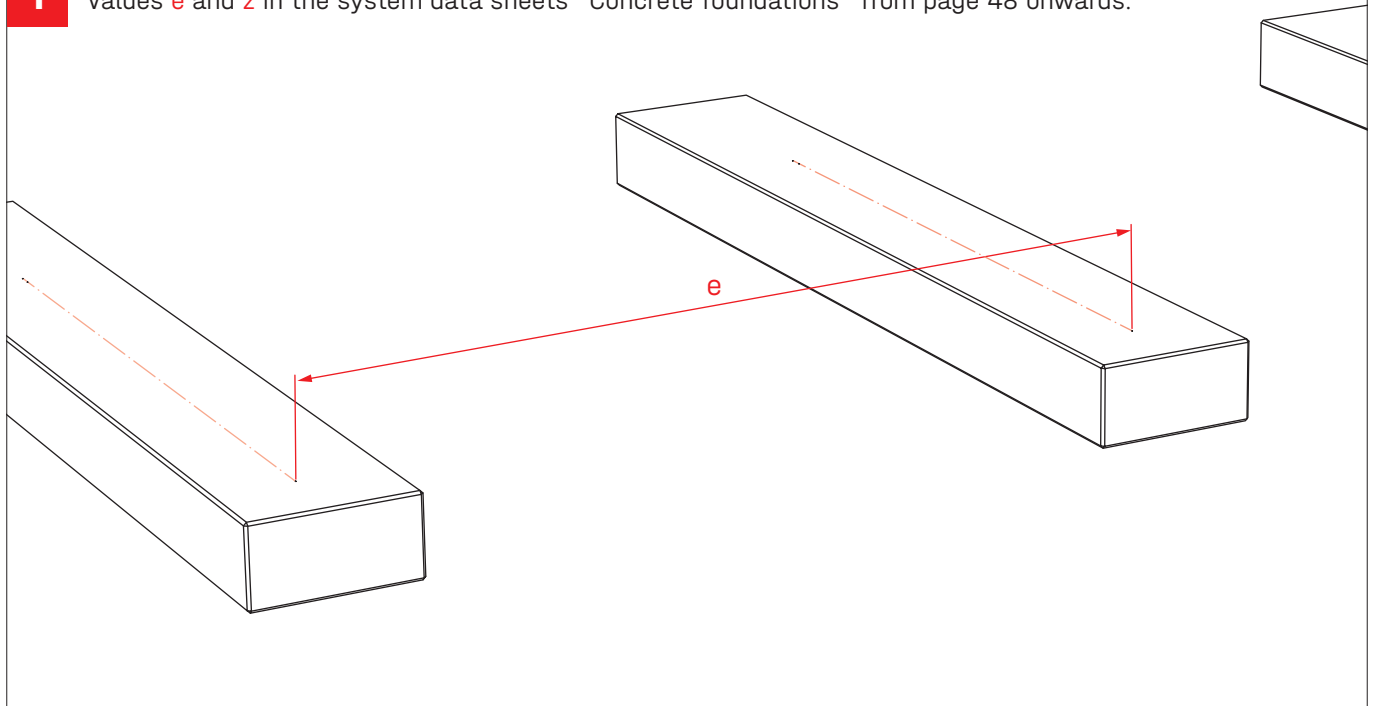


**Reinforcing steel:** B500  
**Concrete strength:** min. C25/30  
**Concrete covering of the reinforcement:**  $C_M/C_S \geq 0.04$  m

N-Rack	2×7 S	2×7 L	2×12 S	2×12 L
<b>L [m]</b>	2.80	3.40	2.80	3.40
<b>w[m]</b>	0.45	0.45	0.78	0.72
<b>h [m]</b>	0.40	0.40	0.40	0.40
<b>V [m<sup>3</sup>]</b>	0.50	0.61	0.87	0.98
<b>d [m]</b>	0.30	0.30	0.30	0.30
<b>Quantity of brackets</b>	10 ×	12 ×	10 ×	12 ×

## Spacing

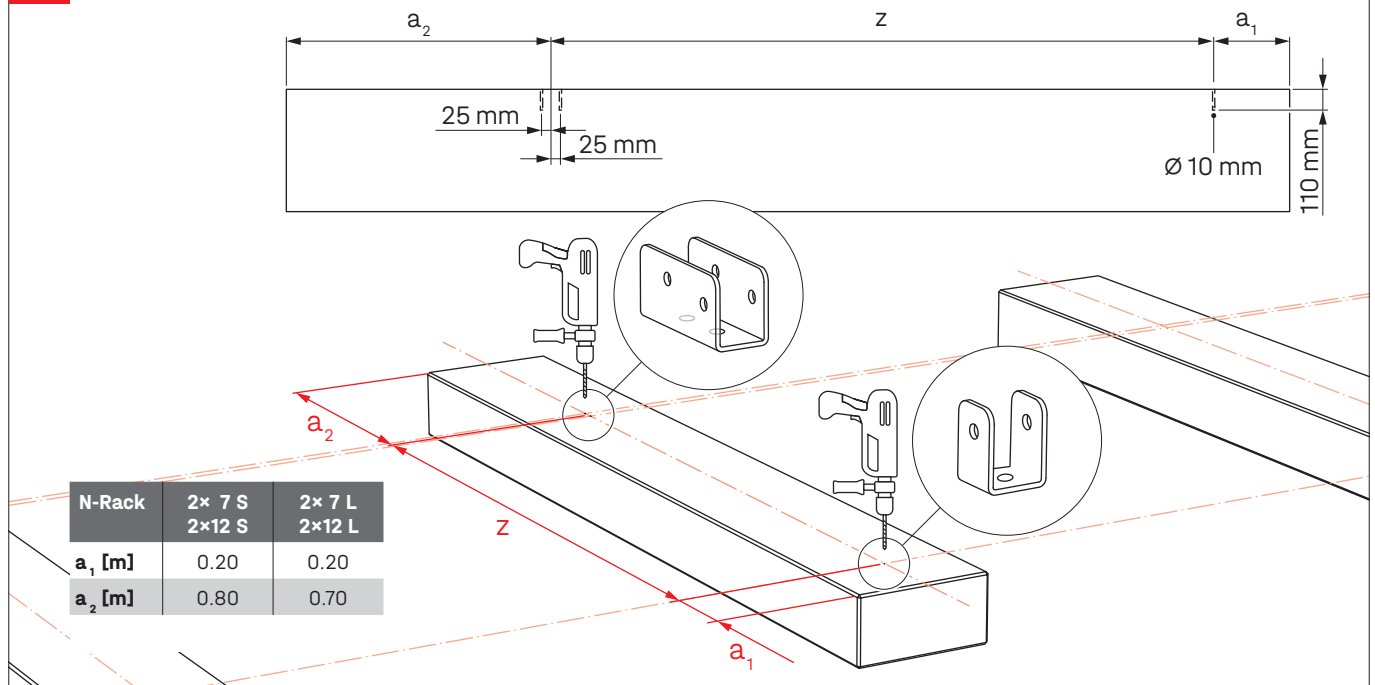
**1** Values  $e$  and  $z$  in the system data sheets "Concrete foundations" from page 48 onwards.



## Pre-drilled anchor holes

**2**

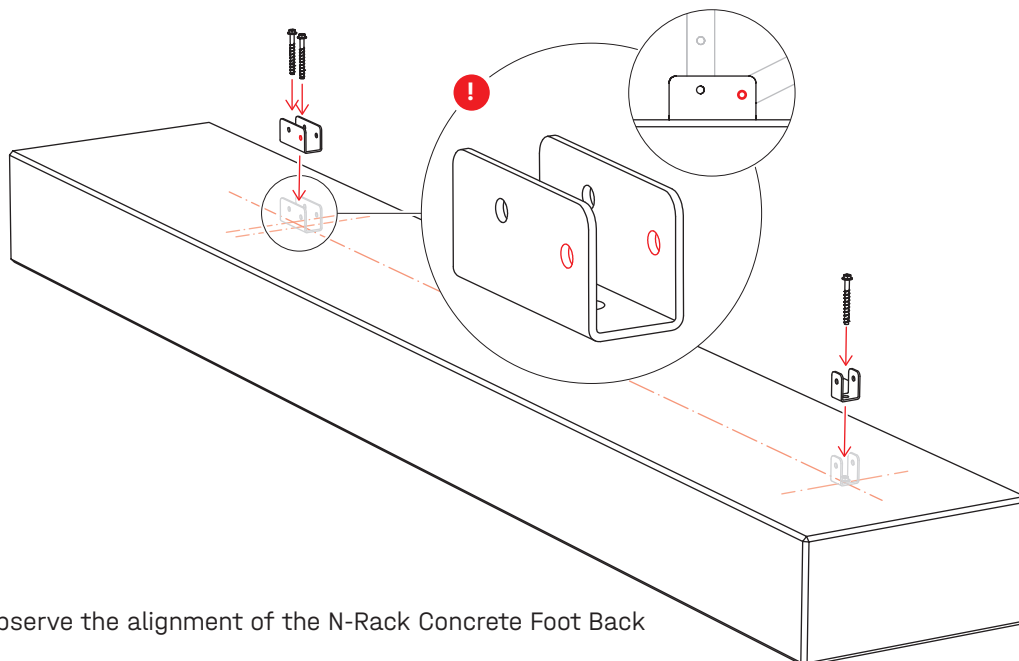
Value  $z$  in the system data sheets "Concrete foundations" from page 48 onwards.



## Fixing the anchors and connection

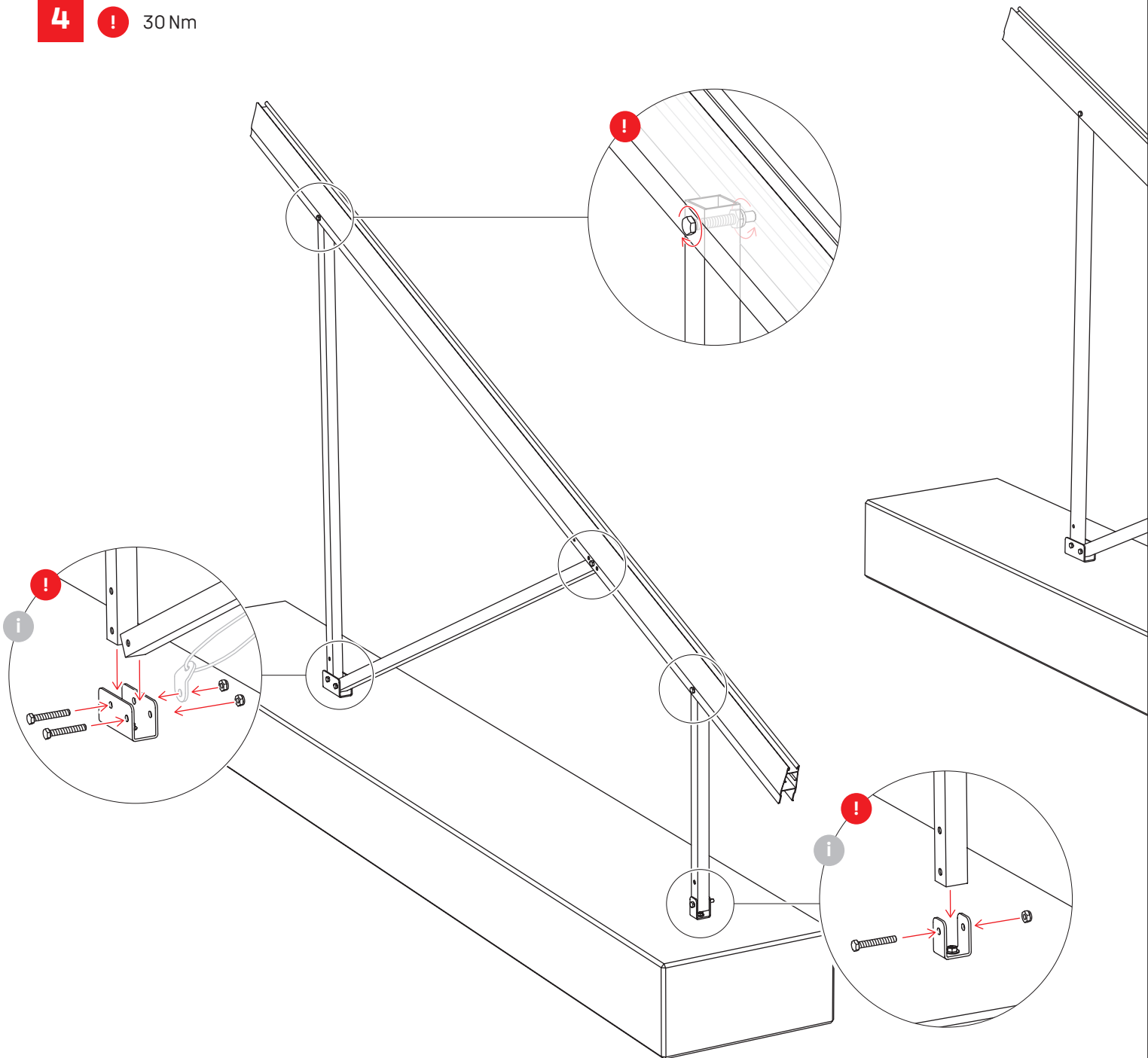
**3**


! 90 Nm



## Connecting supports

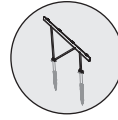
**4**  30 Nm



 Attaching the wind bracing to the outer concrete foundations. "Setting up wind bracing" on page 38.



# Ground screw foundations



## General guidelines



### Subsoil assumption

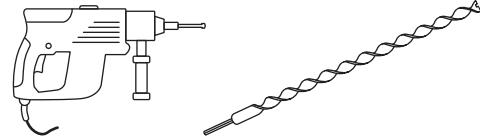
The quantity and required size of the respective screw foundations always depends on the type of soil, size and weight as well as wind and snow loads on the planned structures. It is assumed that it will be soil class TL/TM in accordance with DIN 18196, with a semi-solid consistency (DIN 1422). The basis for the final foundation dimensions is the soil condition to be determined on site and the structural analysis of the load-bearing capacity, based on an applicable static calculation model.



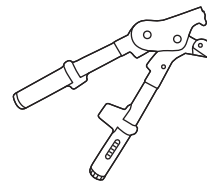
### Structural requirements

- Kit requirements
  - 1.2 - 1.25 m insertion depth of the Krinner M16 screw foundations to  $\leq 1.75$  kN snow and  $\leq 0.67$  kN wind

## Additional tools



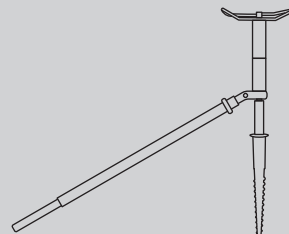
Drill hammer incl. drill 25 mm



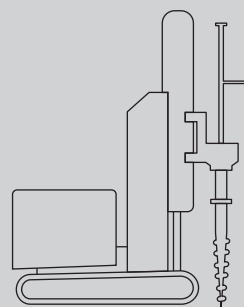
Gripple Collet Chuck 400 · 2004456



Equipment/machines for screwing in the ground screw foundations are available from a construction machinery rental facility. Alternatively, a garden and landscaping company can be commissioned.

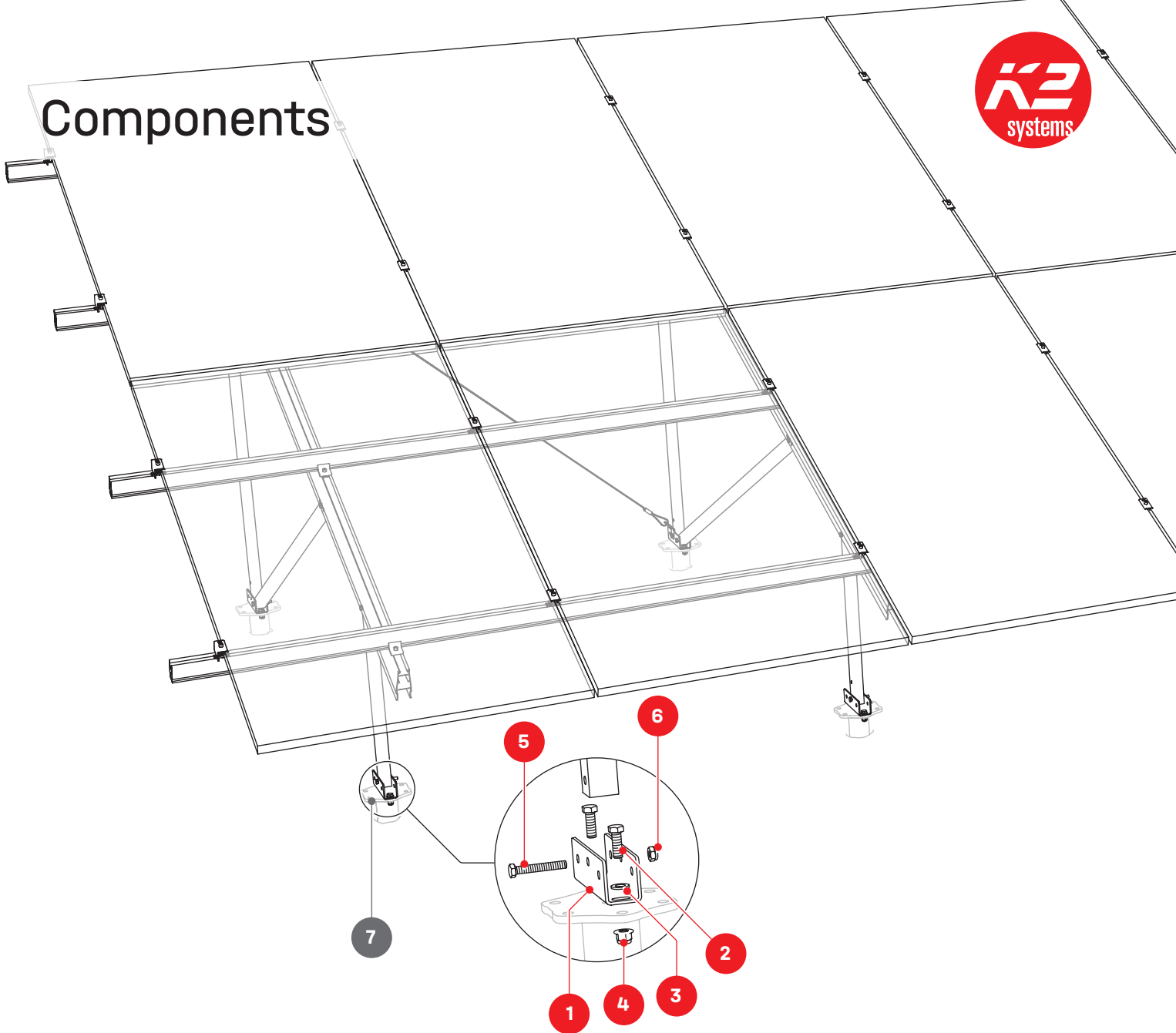


Ground screw driver, e.g.: Krinner KR E 20-SC

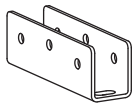


Self-driving caterpillars, e.g.: Krinner KR D 30-C0

# Components



## N-Rack Ground Kit Ground Screw



**1** 2004896  
N-Rack GS Foot



**2** 2004902  
Hexagon Head Screw  
M12 x 35



**3** 2004910  
Washer M12



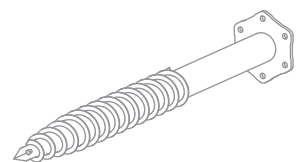
**4** 2004903  
Hexagon nut with  
flange M12



**5** 2004408  
Hexagon Head Screw  
with Shank M10 x 70



**6** 1002849  
Hexagon Locking  
Nut M10



**7** 2005095  
Screw Foundations 1.30 m  
KSF M76 1300 M16  
To be sourced separately..

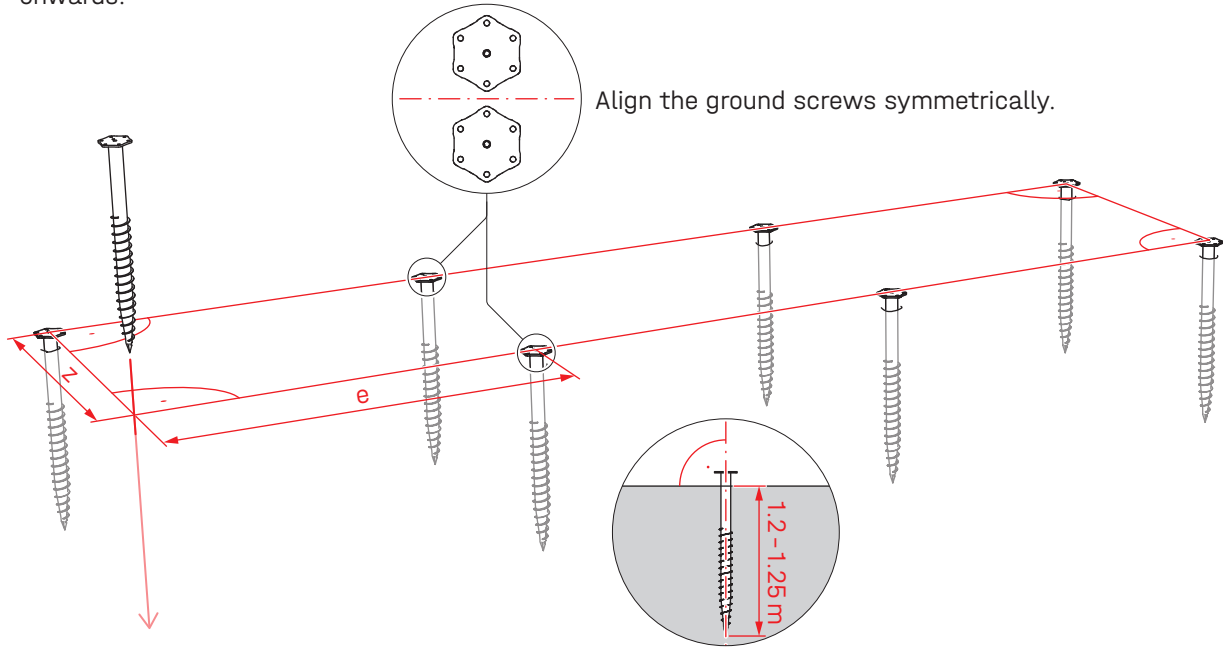
**Required - not included**

# Installation

## Foundation work and spacing

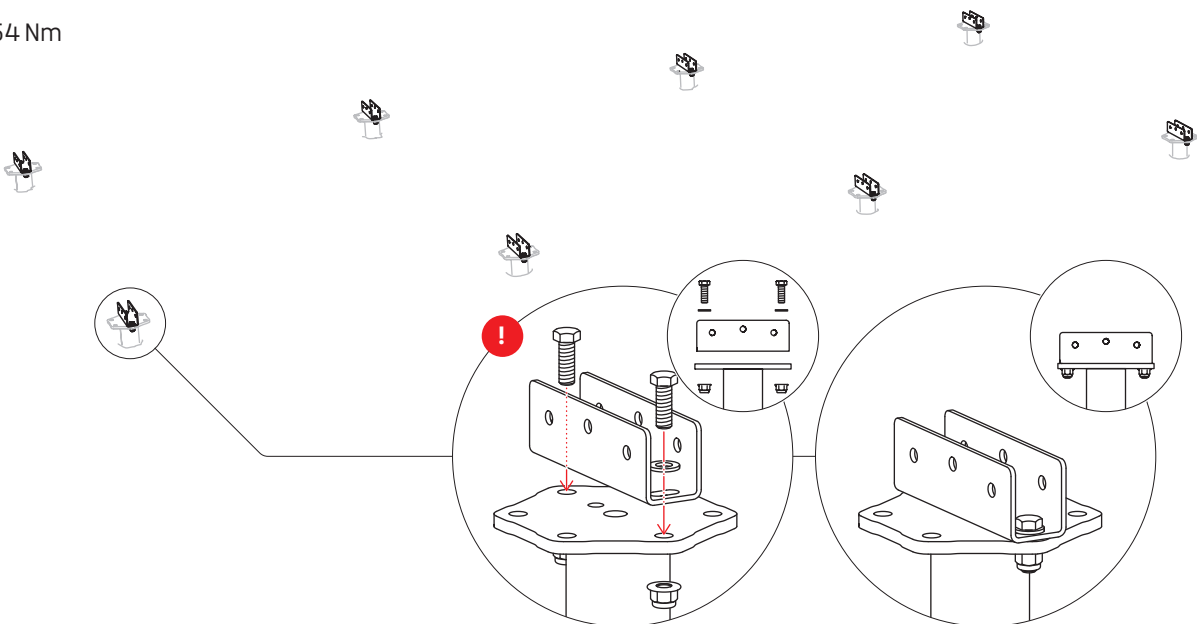
1

Values  $e$  and  $z$  in the system data sheets "Ground screw foundations" from page 56 onwards.



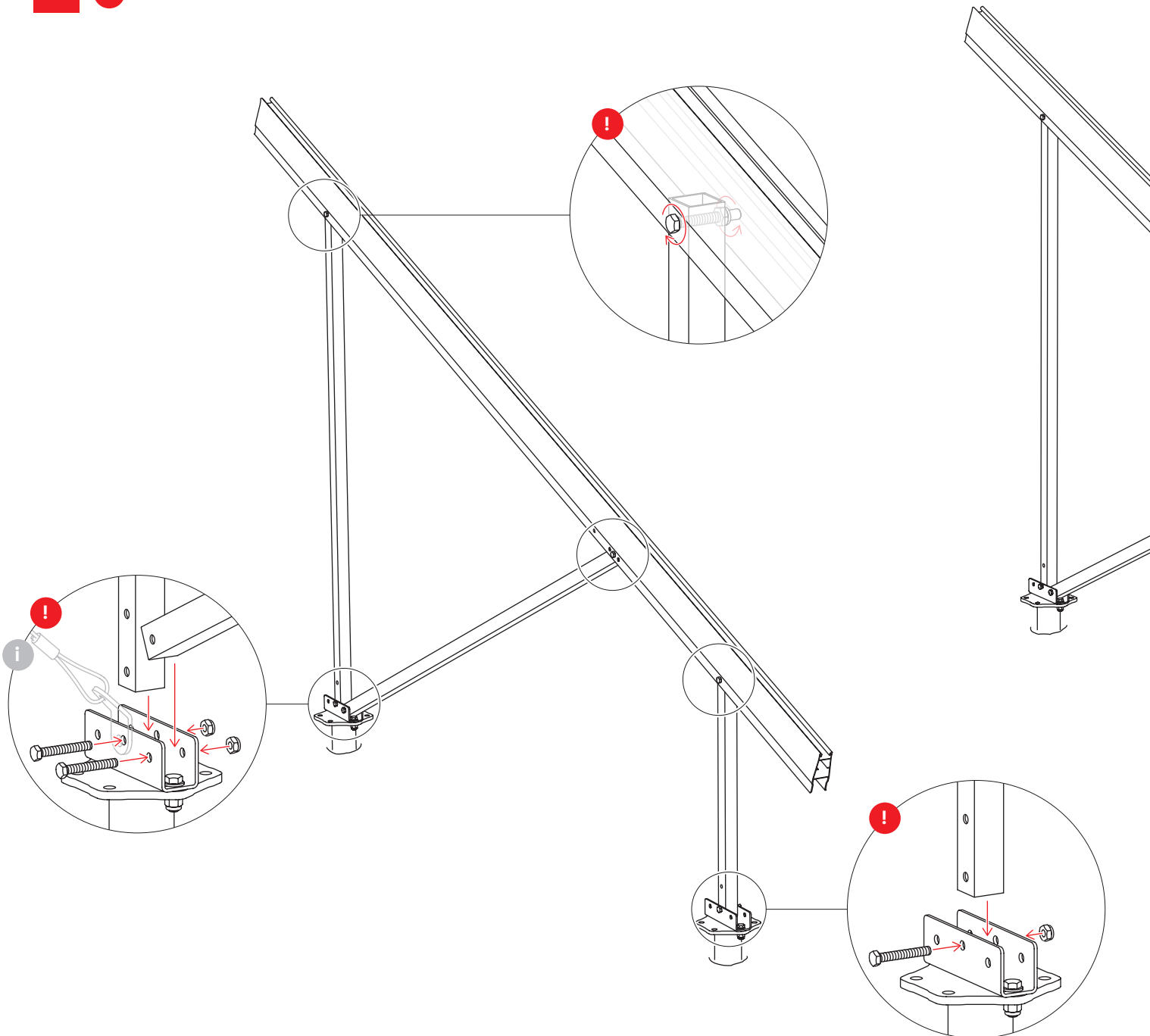
2a

! 54 Nm



## Connecting supports

**2b**  30Nm



 Attaching the wind bracing: "Setting up wind bracing" on page 38.

# Pile-driven foundations



## General guidelines



### Soil requirements

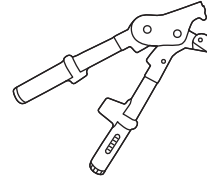
The quantity and required size of the respective piles always depends on the type of soil, size and weight as well as wind and snow loads on the planned structures. It is assumed that it will be soil class TL/TM in accordance with DIN 18196, with a semi-solid consistency (DIN 1422). The basis for the final foundation dimensions is the soil condition to be determined on site and the structural analysis of the load-bearing capacity, based on an applicable static calculation model.

### Structural requirements

Kit requirements

- 1.8 - 1.9 m insertion depth of the K2 cap profile
- $\leq 1.75$  kN now and  $\leq 0.67$  kN wind

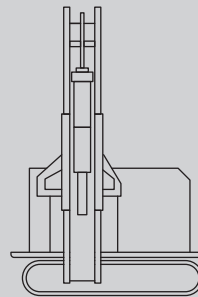
## Additional tools



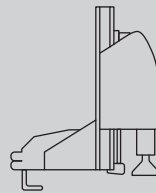
Gripple Collet Chuck 400 · 2004456



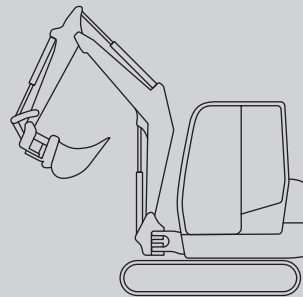
Equipment/machines for inserting the ramming foundations are available from a construction machinery rental facility. Alternatively, a garden and landscaping company can be commissioned.



Piling machine

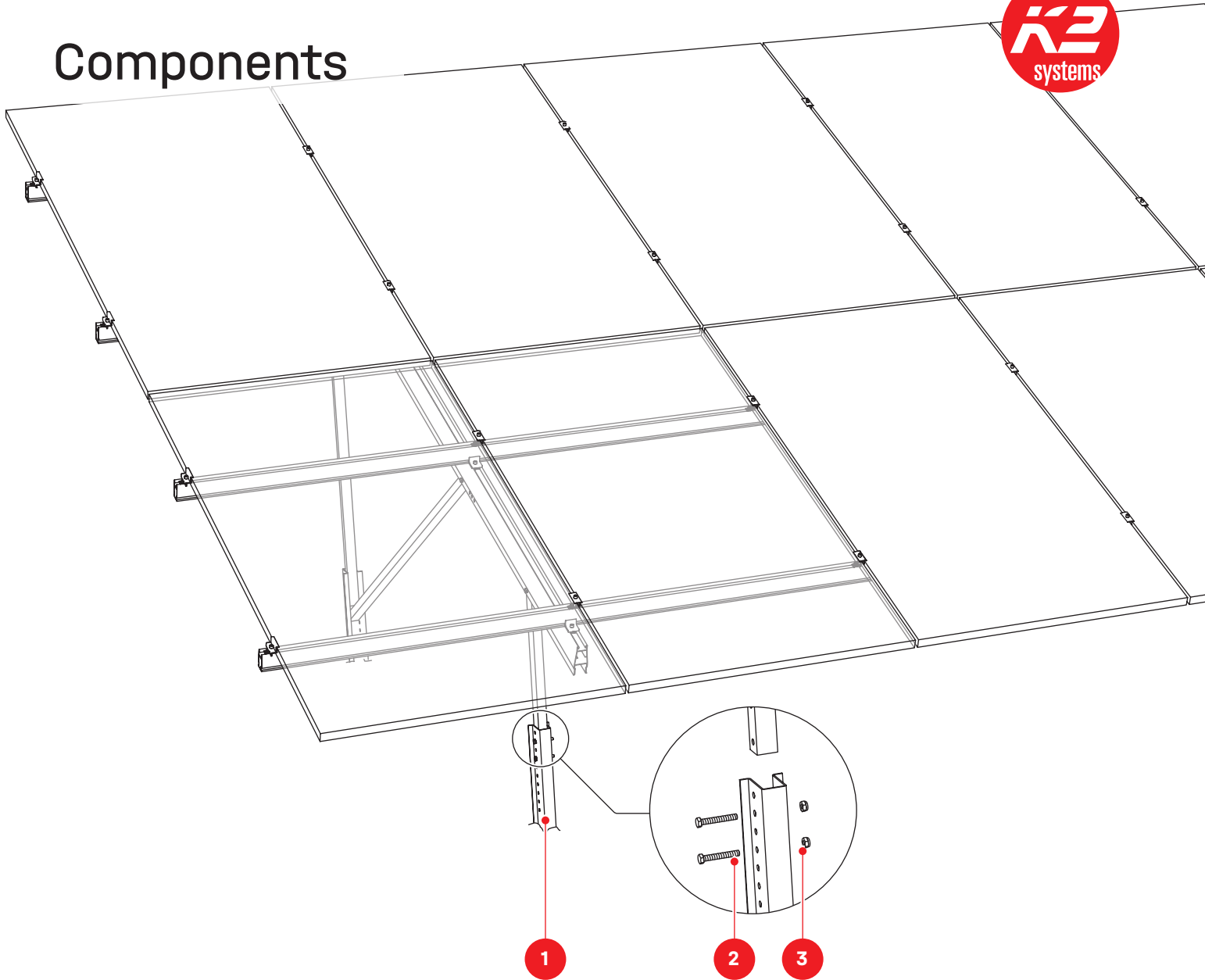


Pile driver for attaching to a mini excavator, etc.

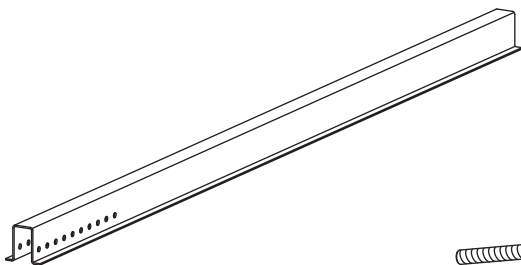


Excavator

# Components



## N-Rack Ground Kit Pile



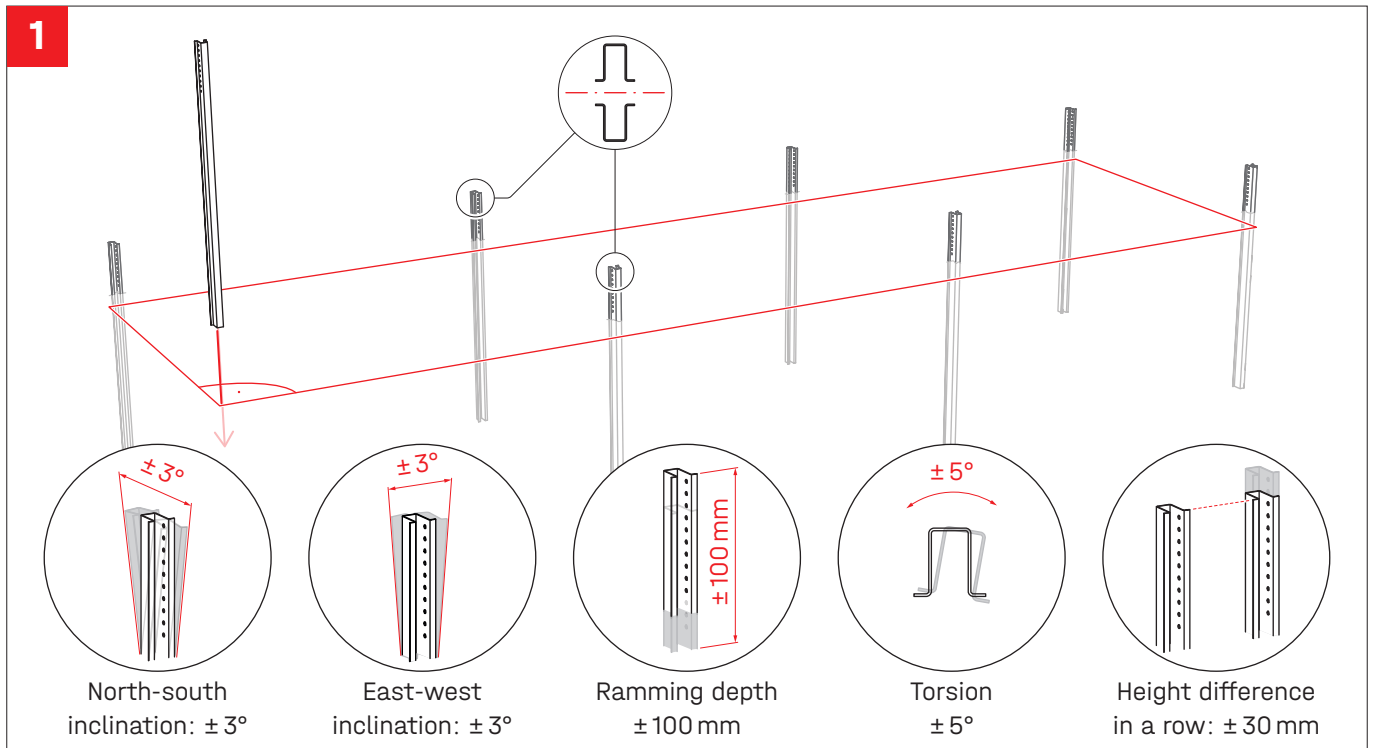
**1** 2005112  
Cap Profile  
N-Rack 2,3 m

**2** 2004408  
Hexagon Head Screw  
with Shank M10 × 70

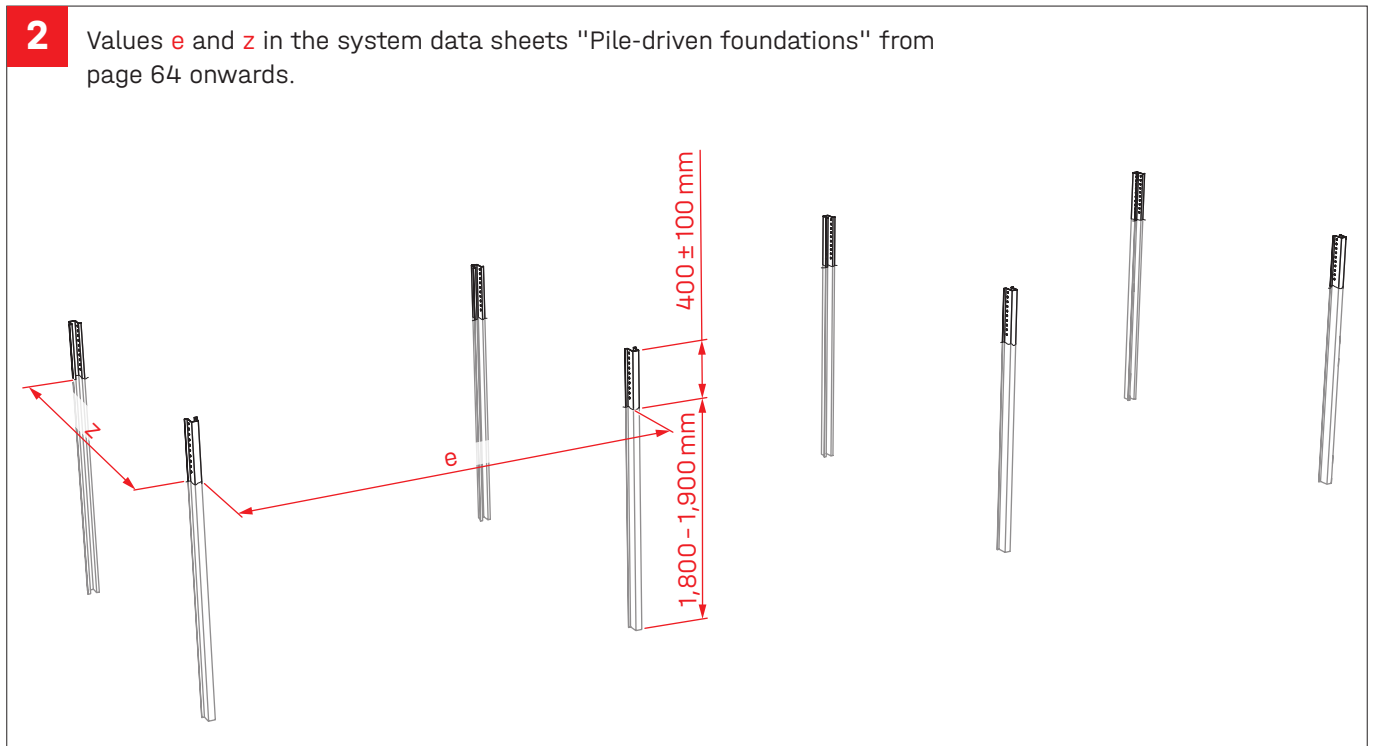
**3** 1002849  
Hexagon Locking Nut  
M10

# Installation

## Foundation work

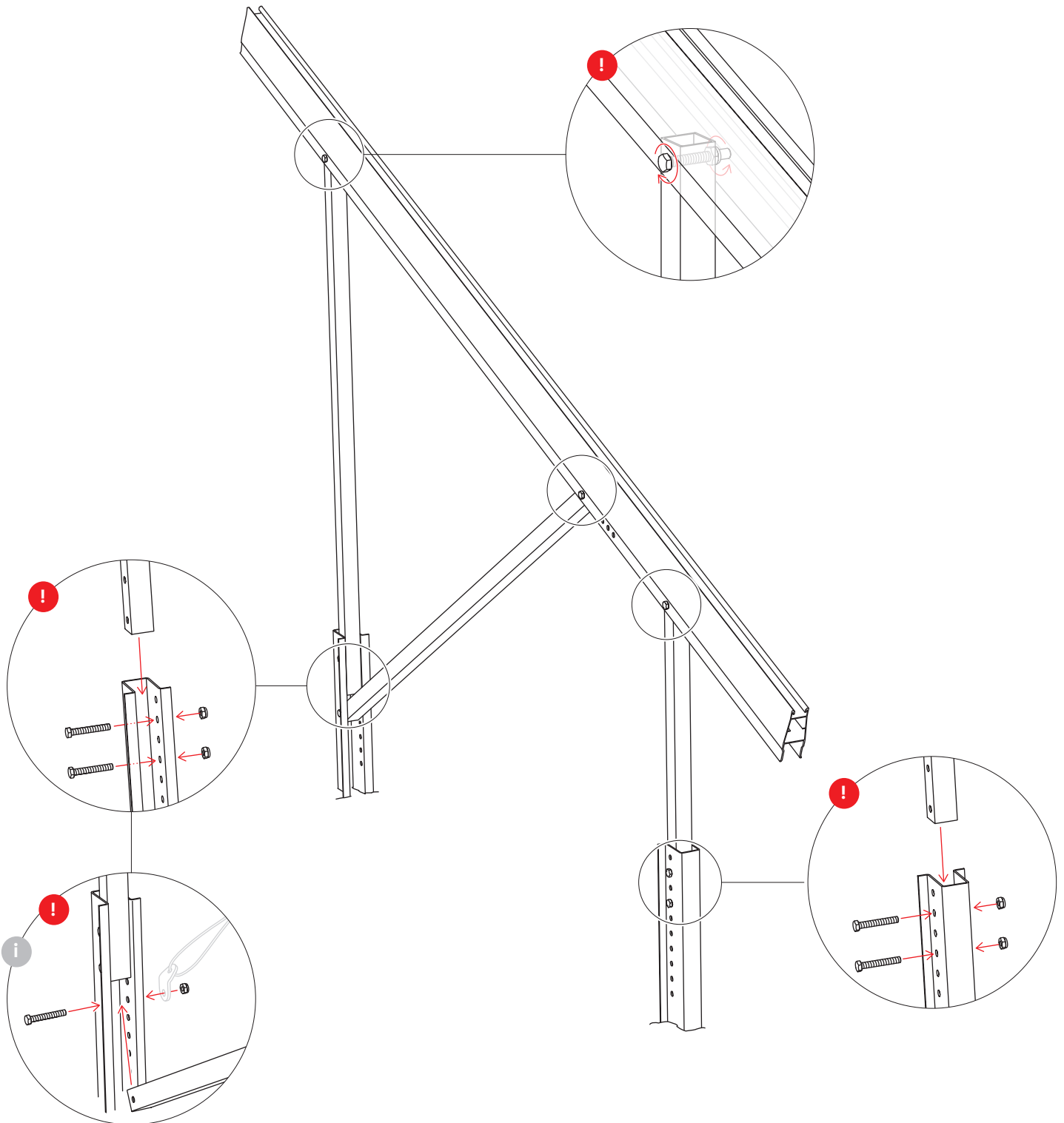


## Spacing



## Connecting supports

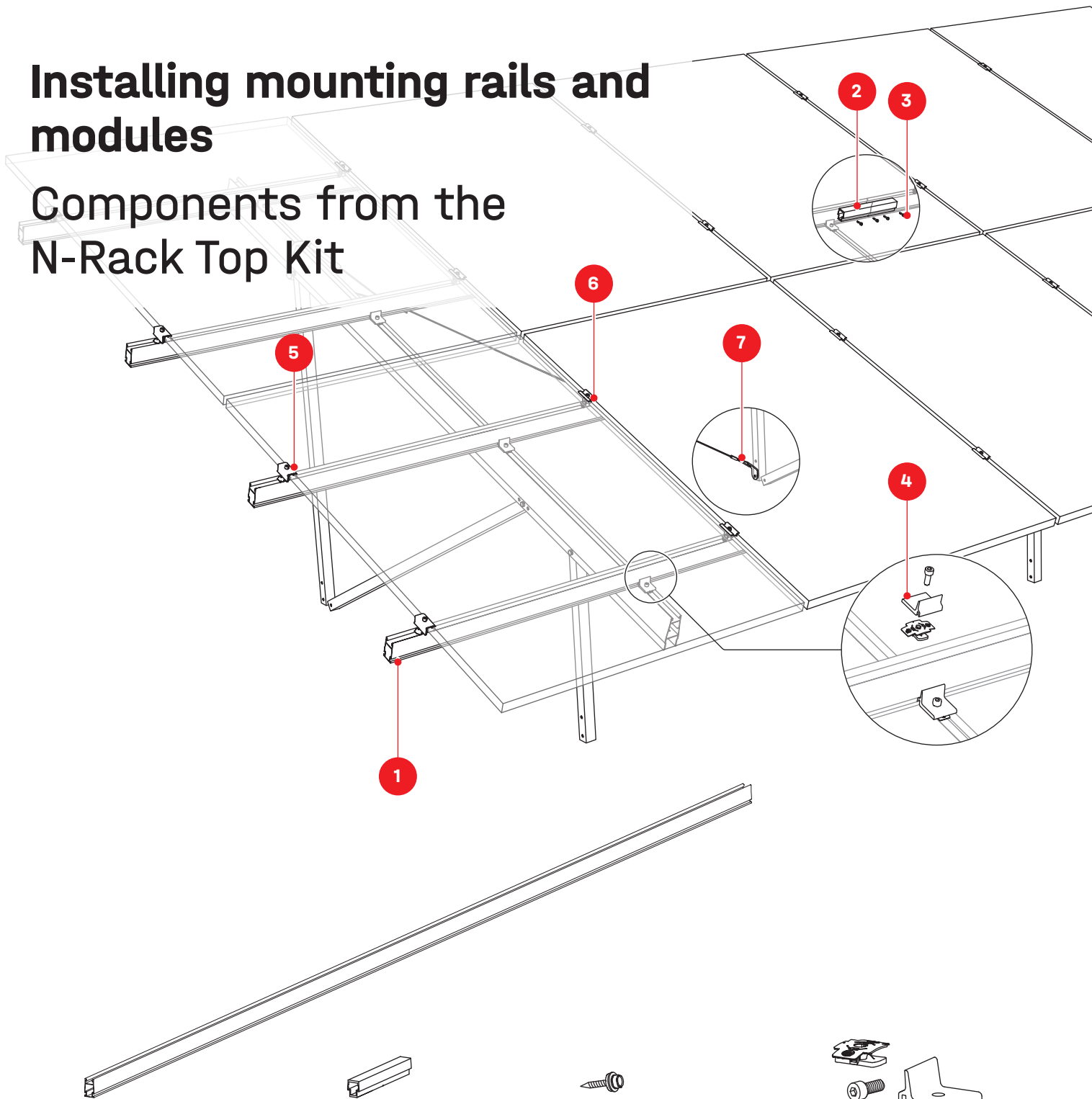
**3** ! 30 Nm



**i** Attaching the wind bracing: "Setting up wind bracing" on page 38.

# Installing mounting rails and modules

## Components from the N-Rack Top Kit

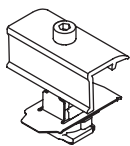


**1** System-specific article number, see page 8  
**CrossRail 73**

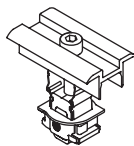
**2** 2004409  
**CrossRail 73 Connector**

**3** 1001051  
**Drilling Screw 5.5 × 25**

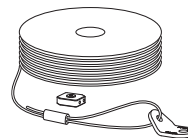
**4** 2003145  
**Climber 36/50 Set**



**5** 2004543  
**Module Clamp K2 Clamp EC 25 - 40**



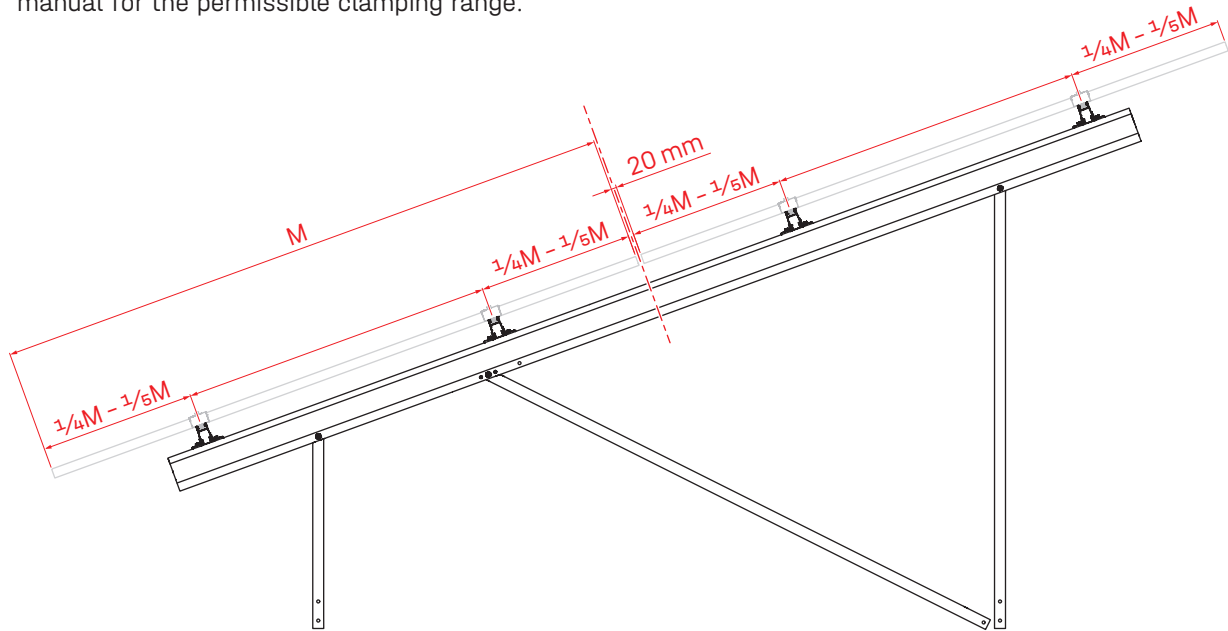
**6** 2004146  
**Middle Module Clamp K2 Clamp MC 25 - 40**



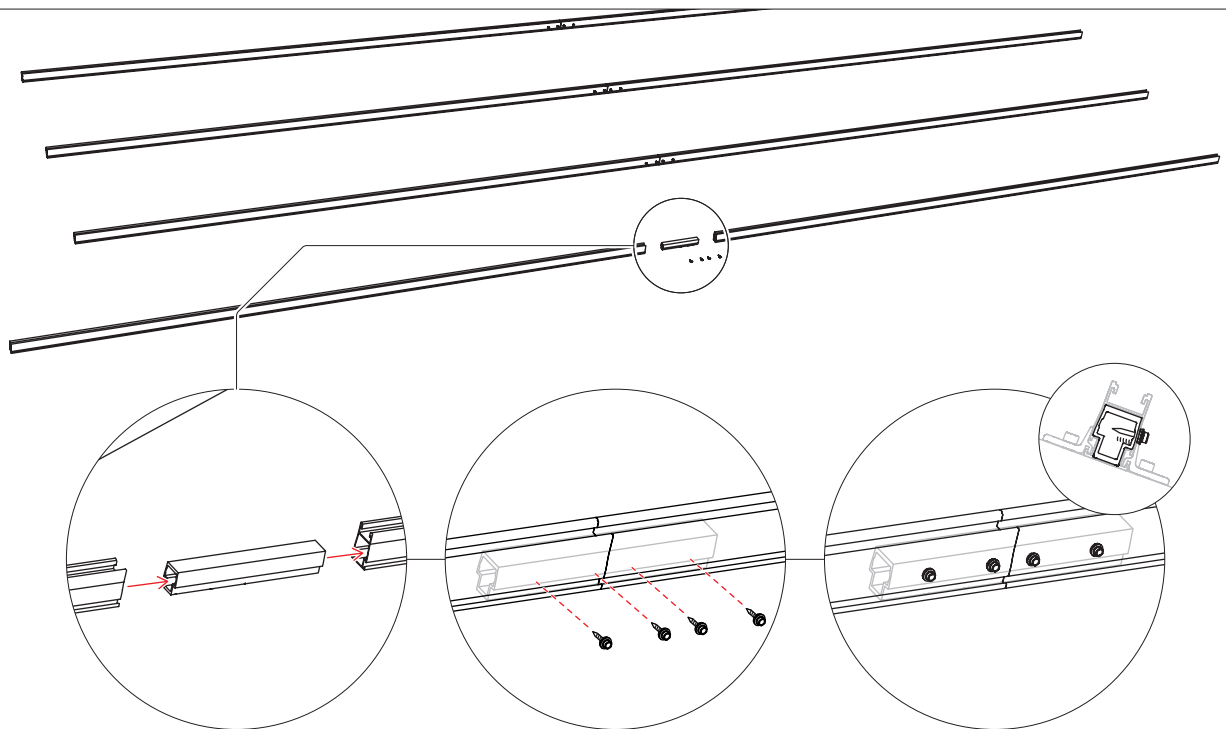
**7** 2004410  
**Wind Bracing Set**

# Installation

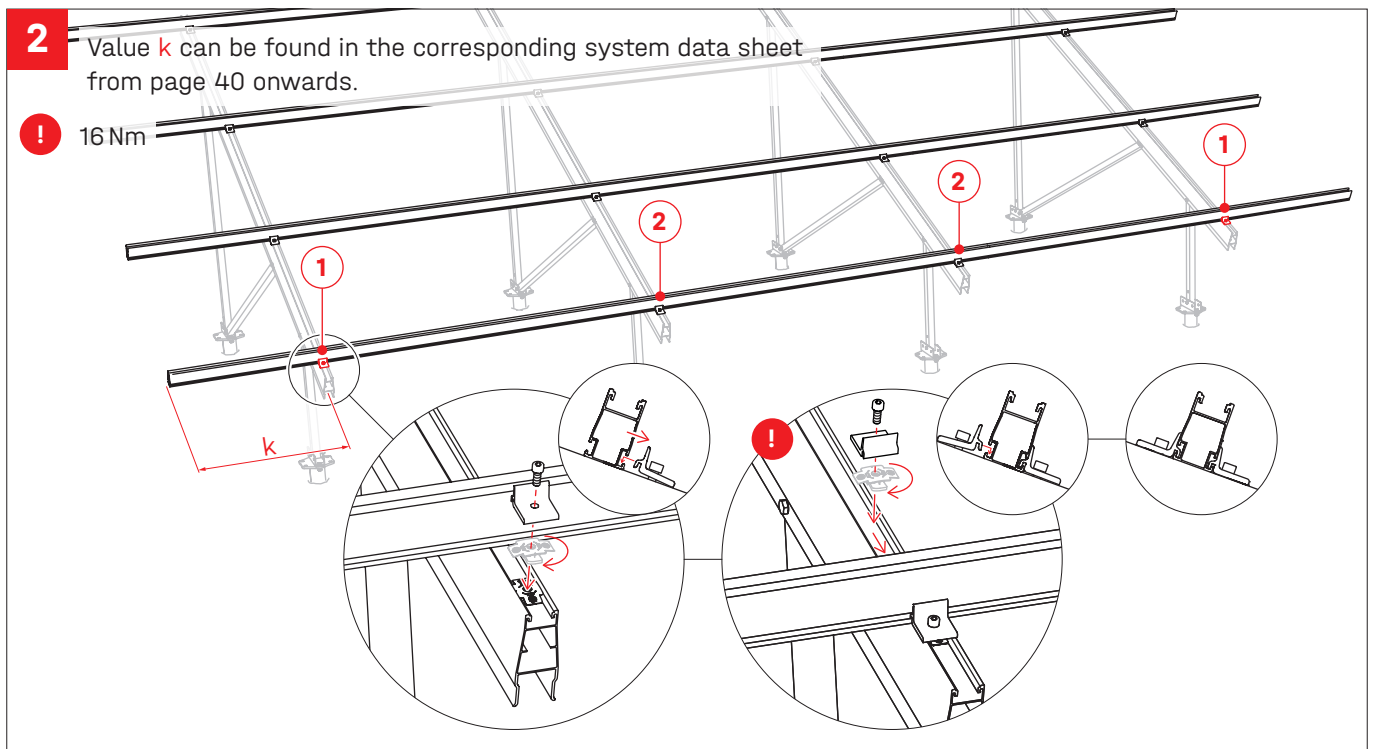
**1a**  $M$  = Module length. The clamp position and the modules must be arranged symmetrically with the length of the upper flange. Observe the manufacturer's installation manual for the permissible clamping range.



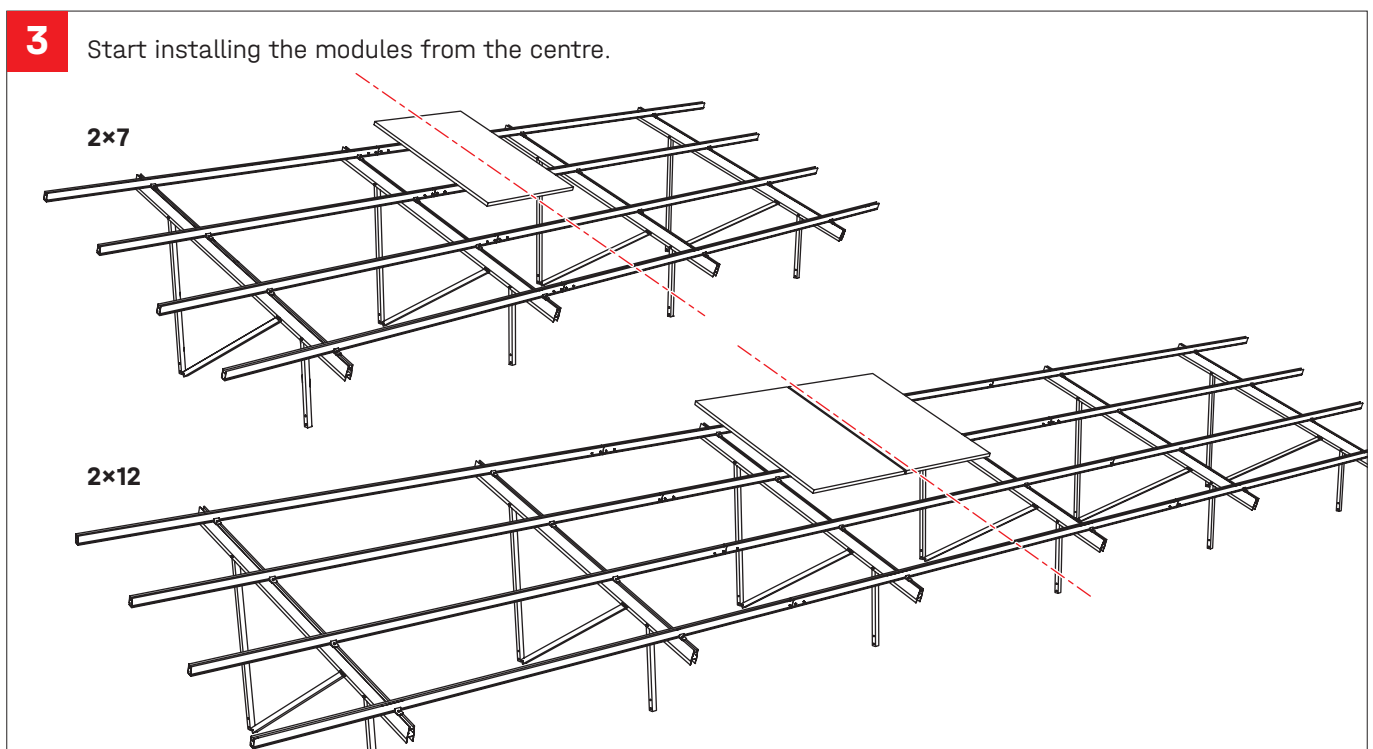
**1b**

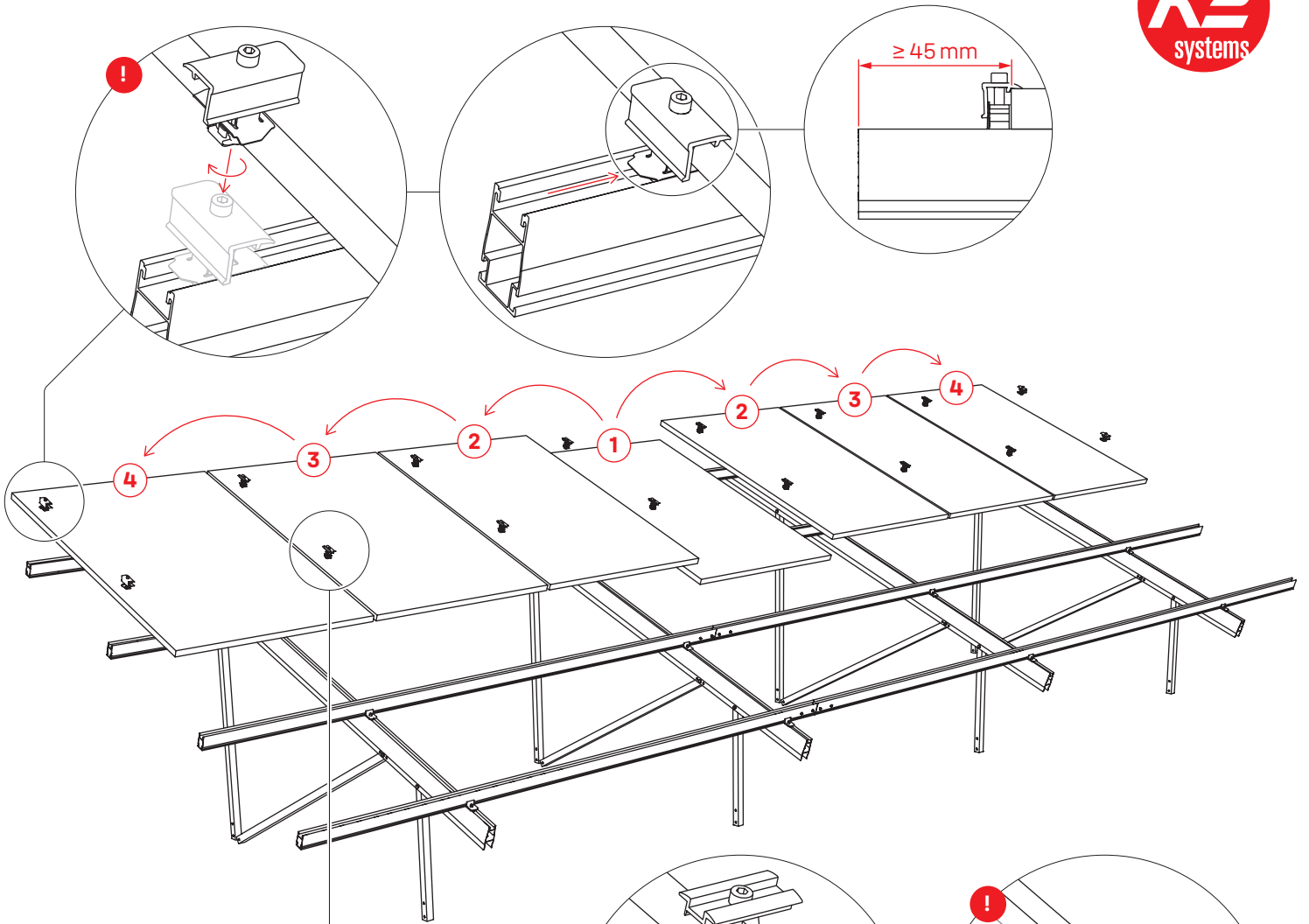


## Connecting the CrossRail mounting rail

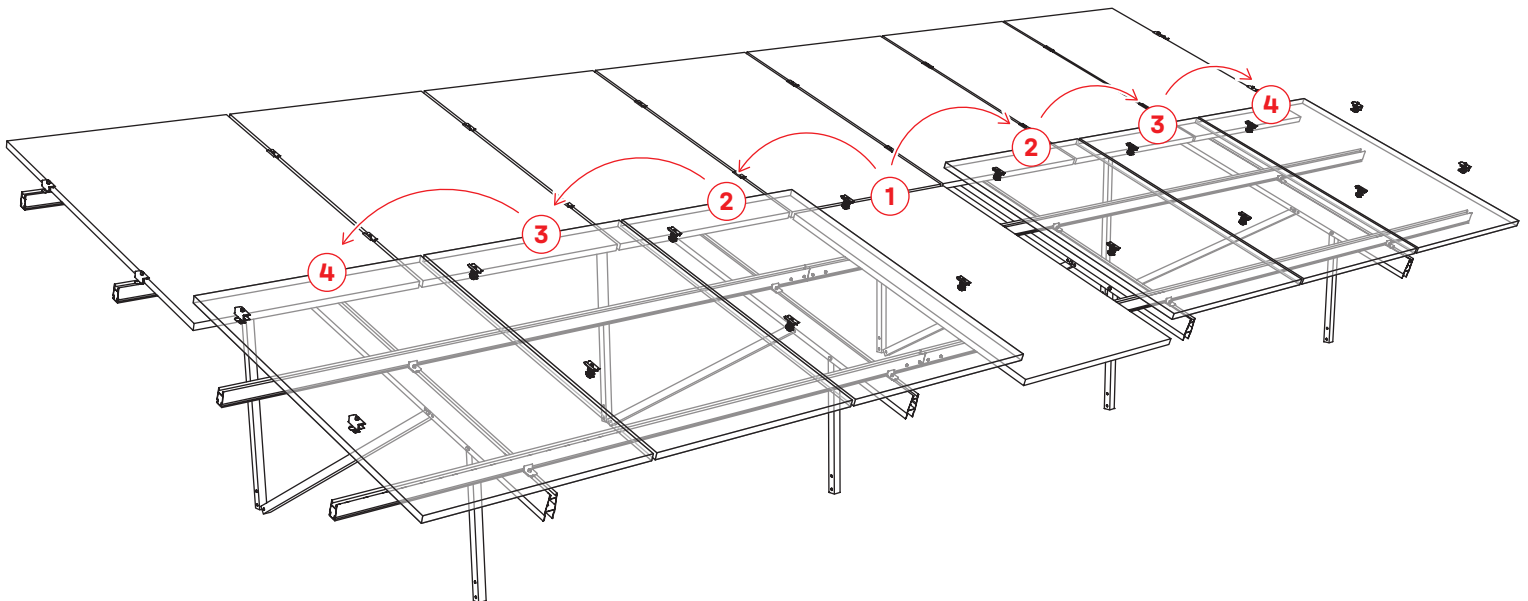
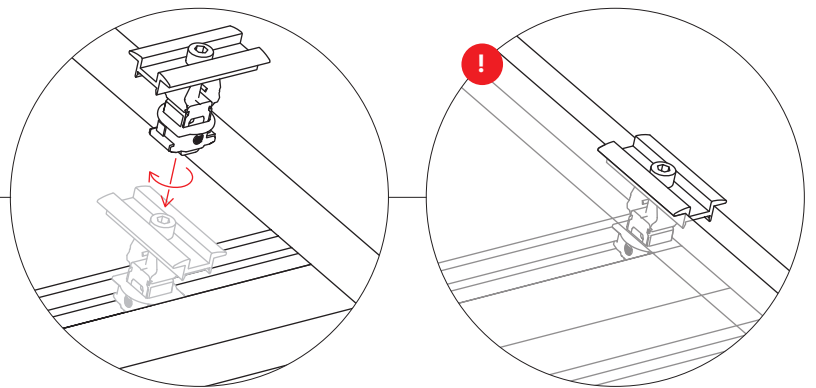


## Module installation

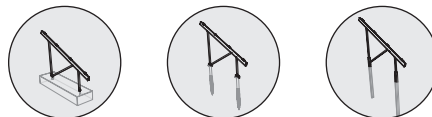




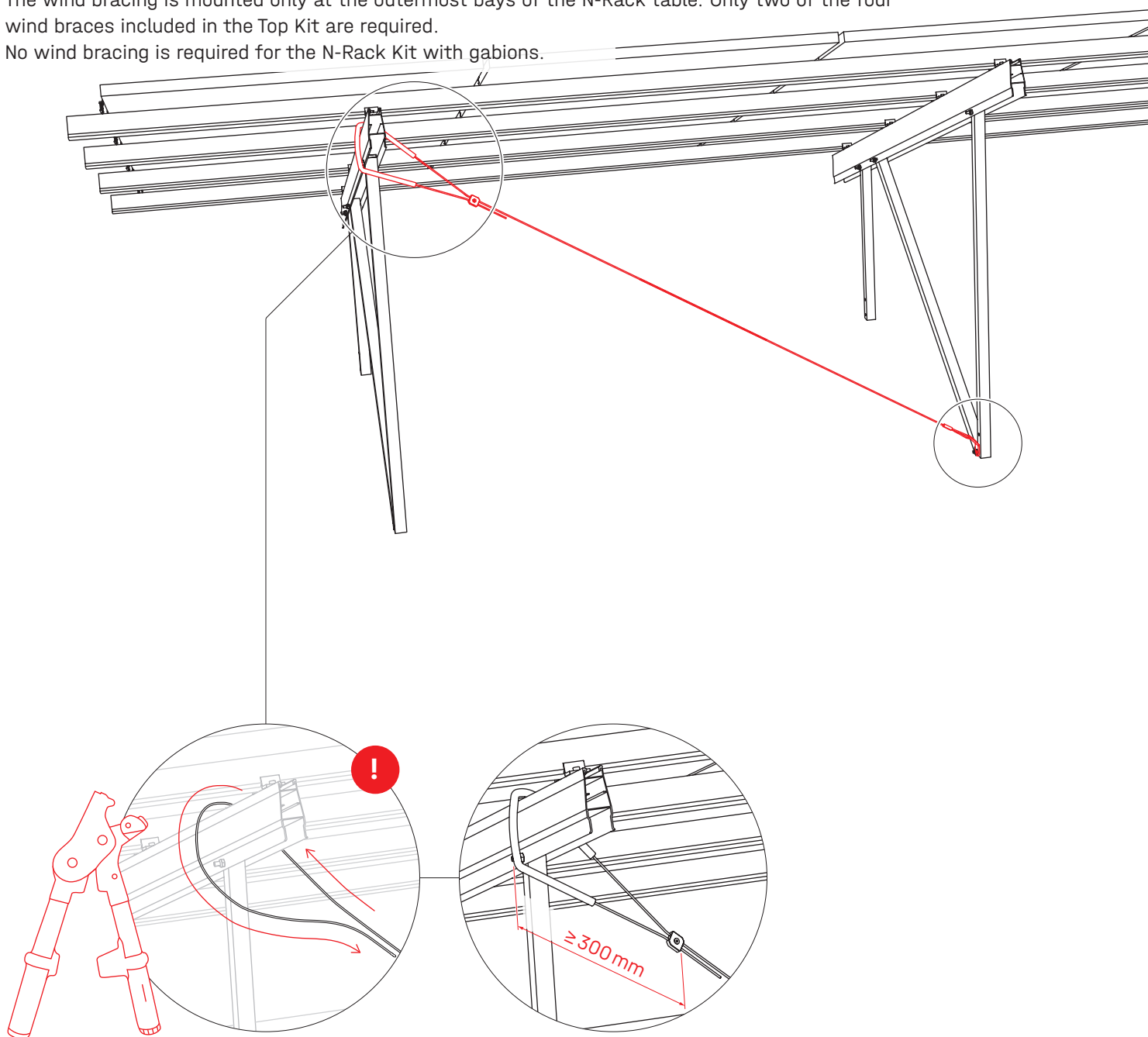
! 16 Nm



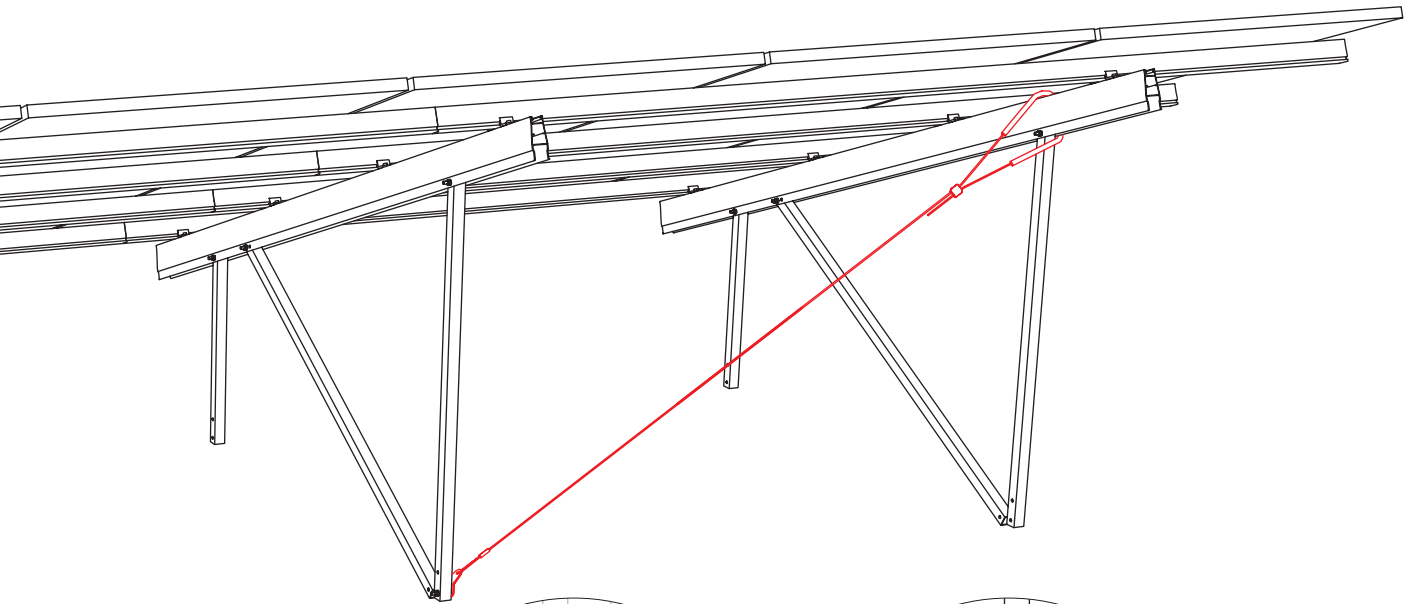
# Setting up wind bracing



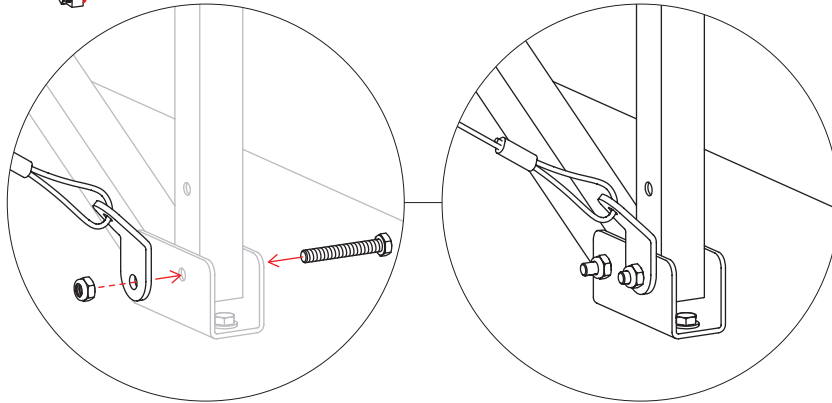
The wind bracing is mounted only at the outermost bays of the N-Rack table. Only two of the four wind braces included in the Top Kit are required.  
No wind bracing is required for the N-Rack Kit with gabions.



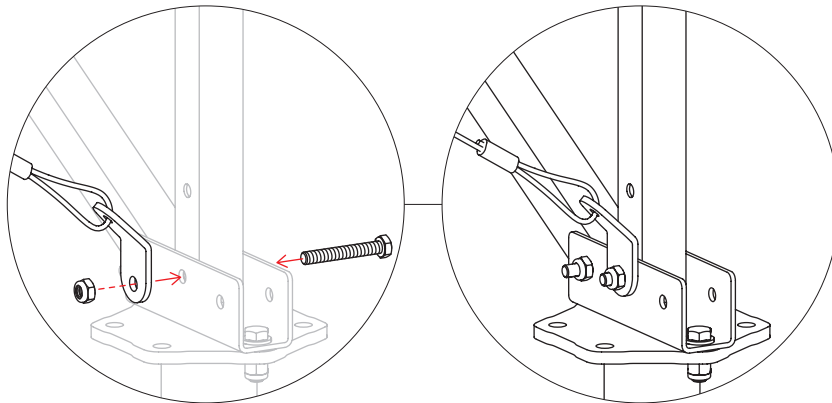
 Observe the tool manufacturer's application instructions



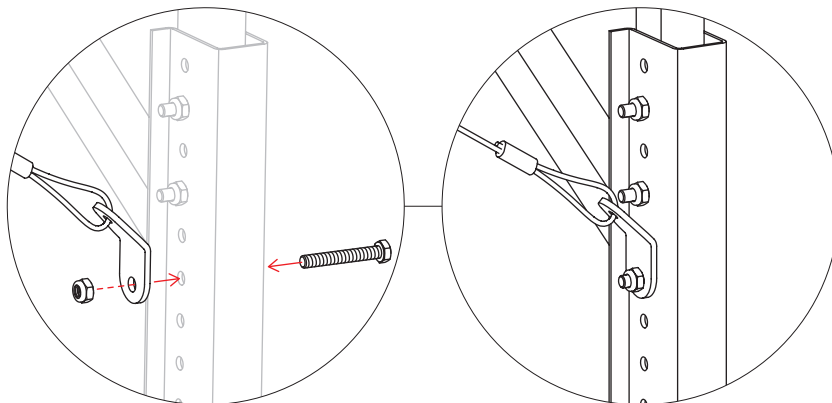
Concrete foundations



Ground screw foundations



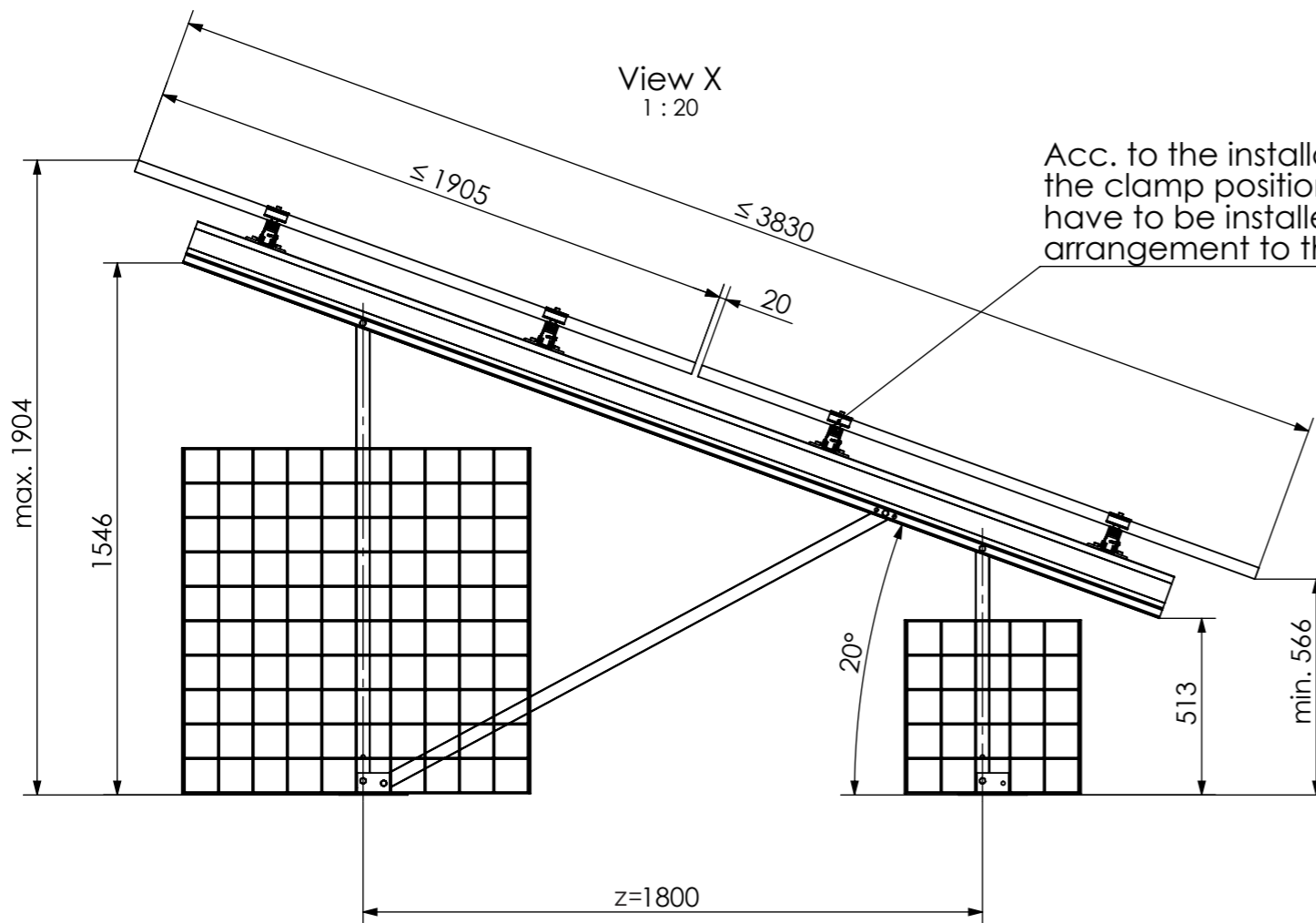
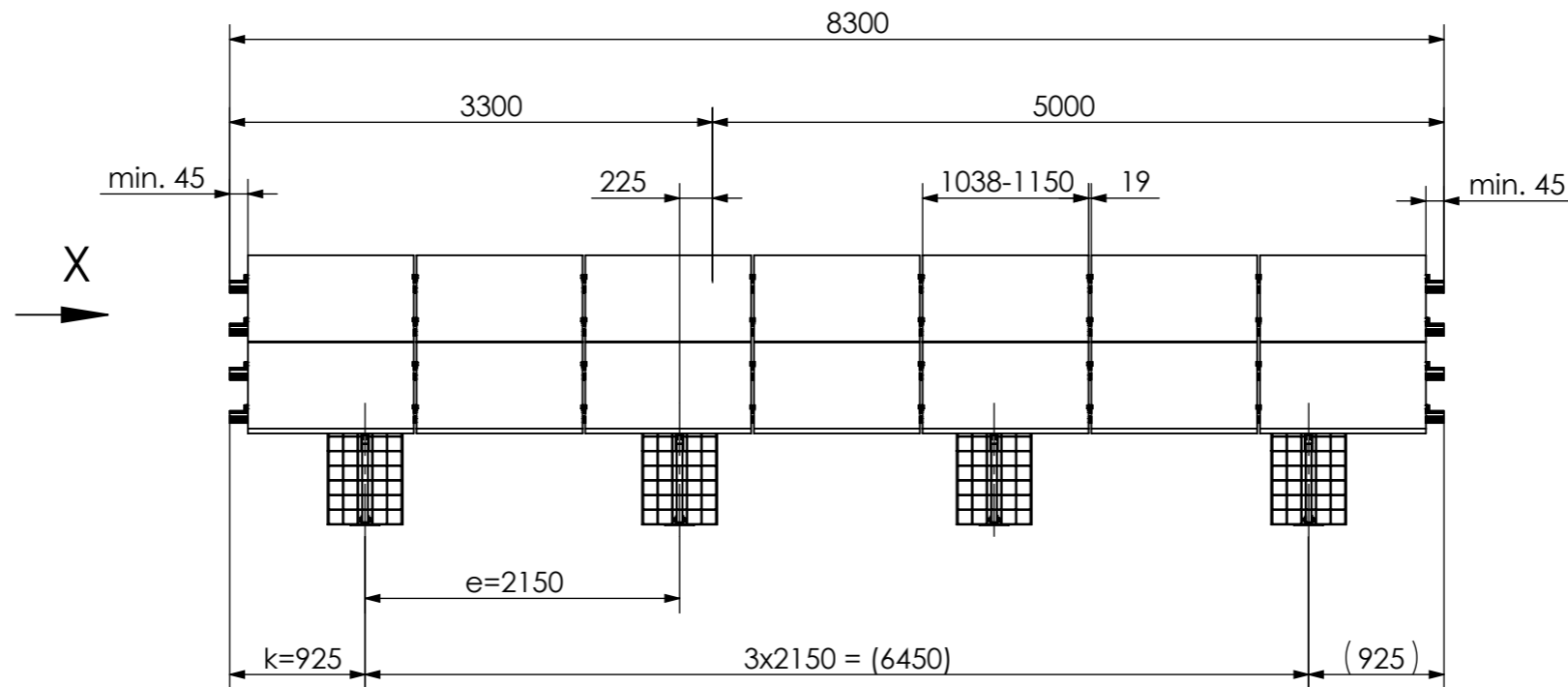
Pile-driven foundations



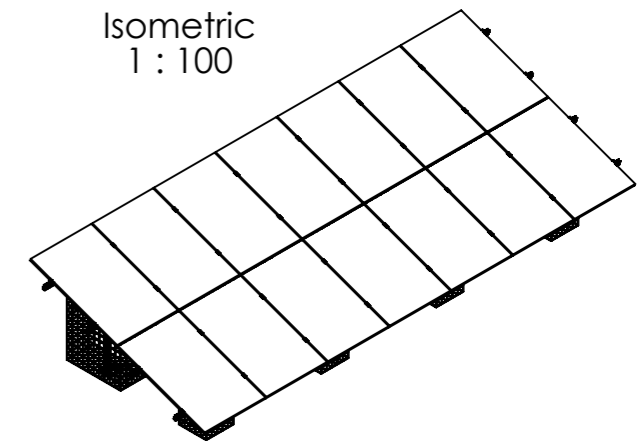
# System data sheets

## Gabions

### Gabion Kit 2x7 S



Isometric  
1 : 100



14 modules (2x7 Portrait)  
for module width  $\leq 1150$  mm

12 modules (2x6 Portrait)  
for module width  $>1150-1303$  mm

Peak velocity  $q_p[z]$ :  $0.67 \text{ kN/m}^2$   
Ground snow load  $S_k$ :  $1.75 \text{ kN/m}^2$

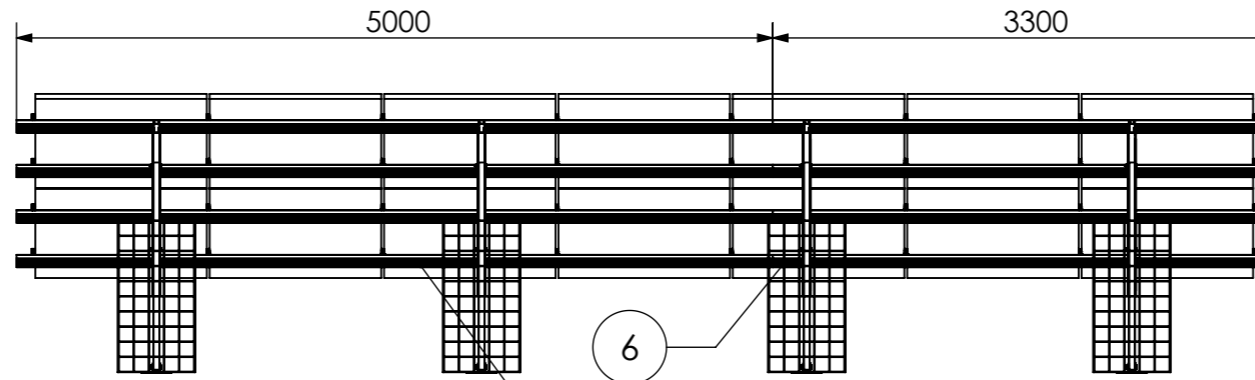


K2 Systems GmbH  
Haldenstr. 1  
71272 Renningen  
Germany  
+49 7159 42059-0

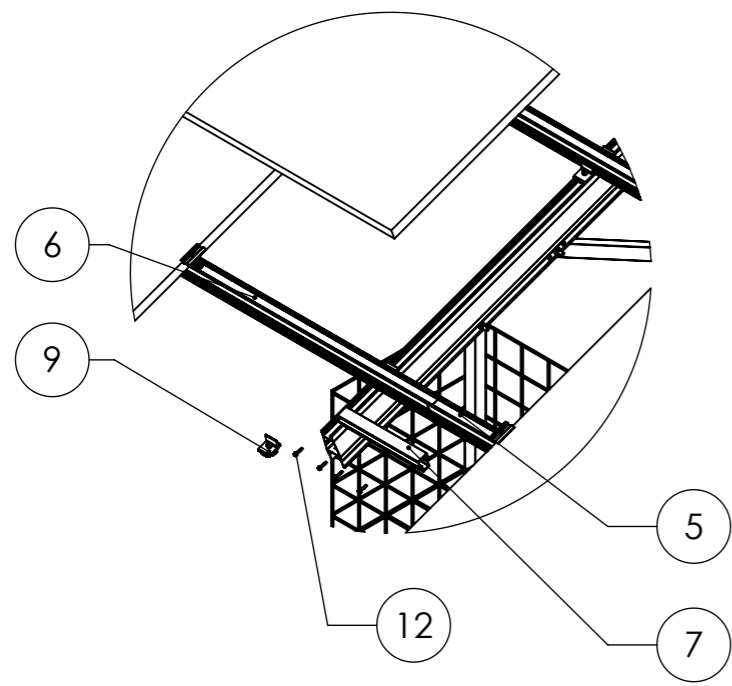
Designation:  
**Data sheet**  
**N-Rack 2.20 Gabion 2x7 S**

Name	Date	Material:	Item no.:	A3
Designed C. Erb	26.01.2026	-	---	All dimensions in mm Sheet 1 of 1
Approved L. Kreemke	16.03.2026	Surface: -	Drawing no.: --	
Last change		Weight: -	Scale: 1:50	

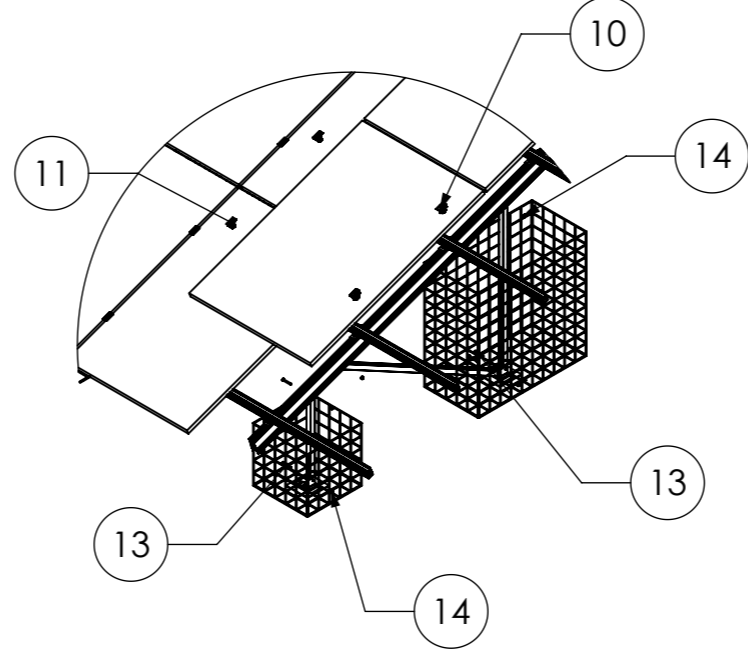
This drawing is the sole property of K2 Systems GmbH. It is protected by copyright and may only be copied, reproduced or distributed to a third party with explicit permission!



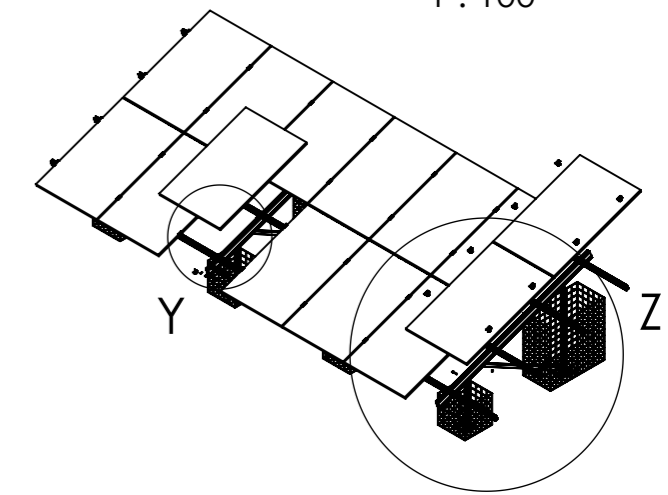
Detail Y  
1 : 20



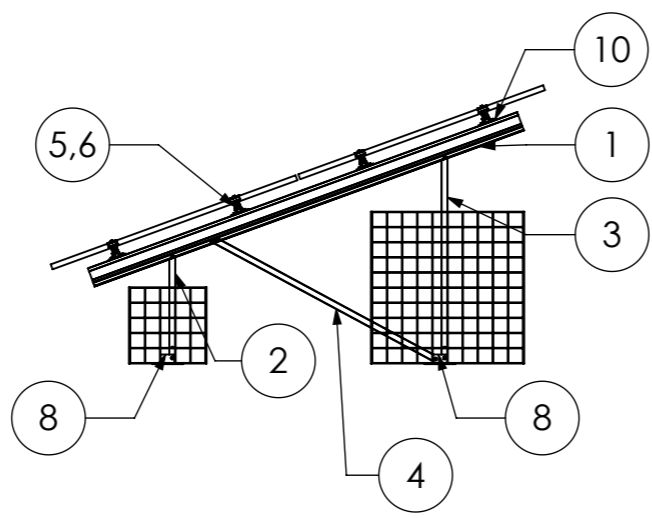
Detail Z  
1 : 50



Isometric  
1 : 100



Pos.No.	Designation
1	Beam N-Rack 3020
2	3-Hole Brace N-Rack 715
3	3-Hole Brace N-Rack 1370
4	2-Hole Brace N-Rack 1696
5	CrossRail 73 - 5 m
6	CrossRail 73 - 3,3 m
7	CrossRail 73 Connector
8	N-Rack Base Plate
9	Climber 36/50 Set
10	EC Clamp Set
11	MC Clamp Set
12	Self-tapping screw 5,5 x 25 - A2
13	Hexagon head bolt M10 x 70 ISO 4014 - A2-70
14	Hexagon nut M10 - DIN 985 - A2-70



14 modules (2x7 Portrait)  
for module width ≤ 1150 mm

12 modules (2x6 Portrait)  
for module width >1150-1303 mm

Peak velocity  $q_p[z]$ : 0.67kN/m<sup>2</sup>  
Ground snow load  $S_k$ : 1.75kN/m<sup>2</sup>



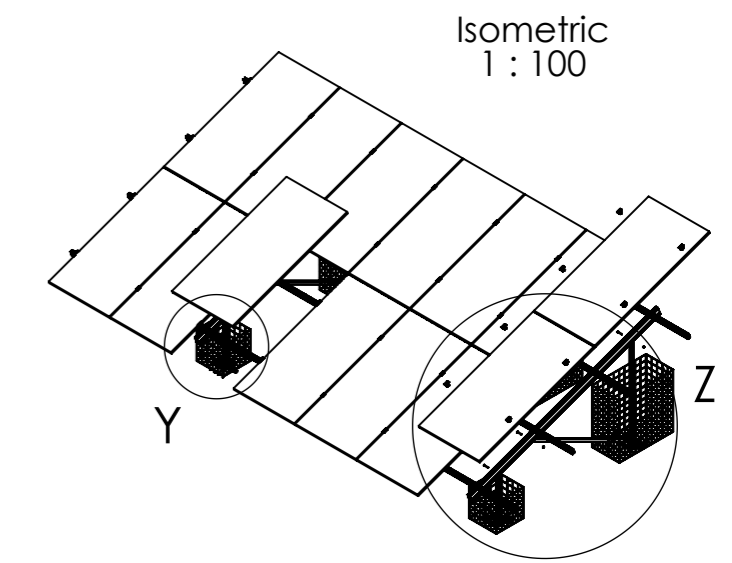
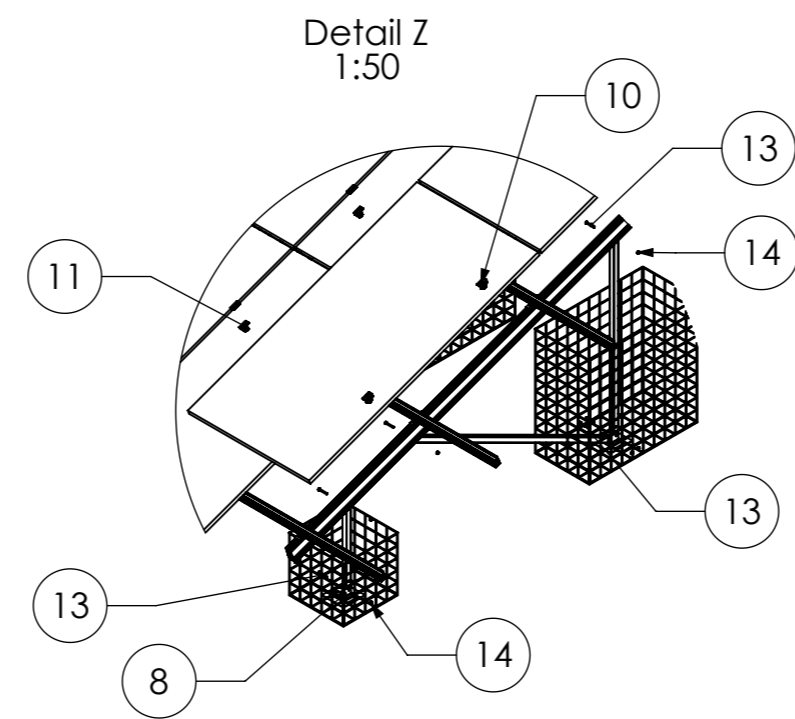
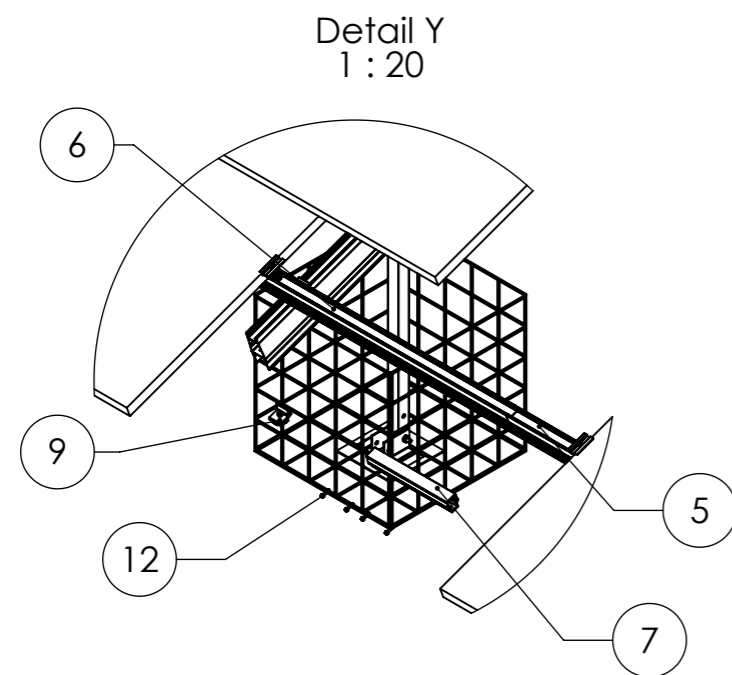
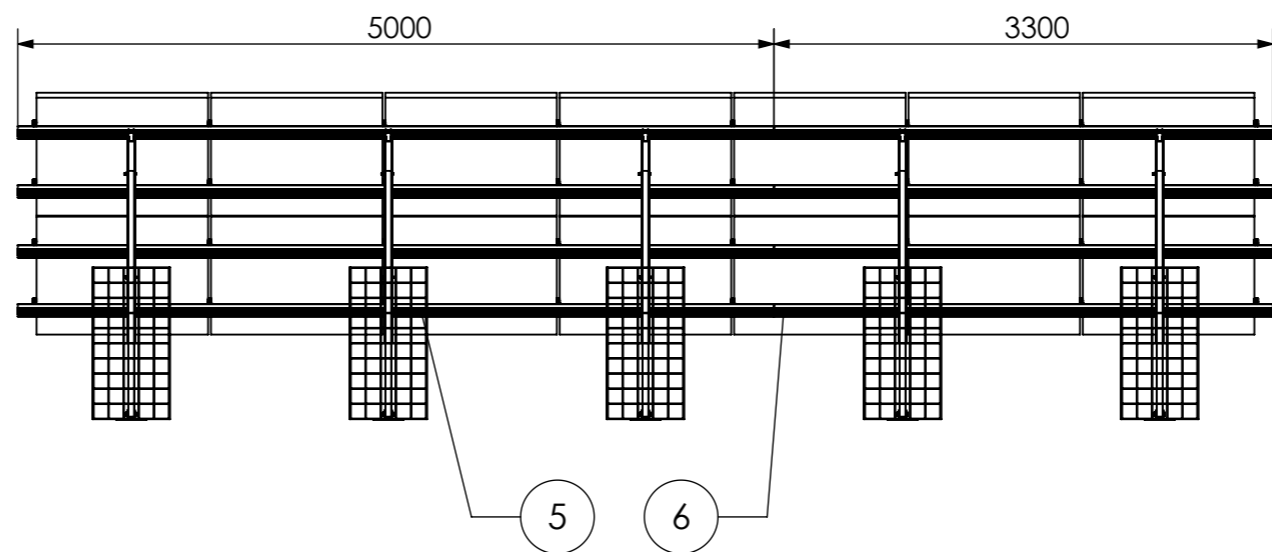
K2 Systems GmbH  
Haldenstr. 1  
71272 Renningen  
Germany  
+49 7159 42059-0

Designation: **Data sheet  
N-Rack 2.20 Gabion 2x7 S**

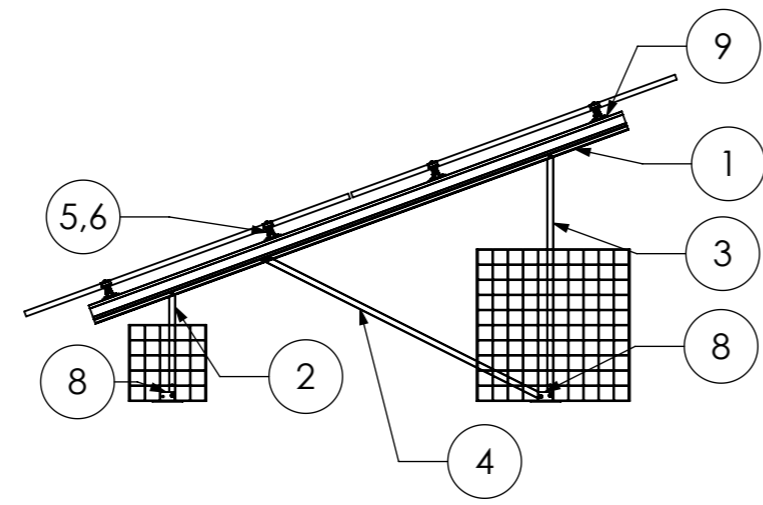
Name	Date	Material:	Item no.:	A3
Designed C. Erb	26.01.2026	-	---	All dimensions in mm Sheet 1 of 1
Approved L. Kreemke	16.03.2026	Surface: -	Drawing no.: --	
Last change		Weight: -	Scale: 1:50	

This drawing is the sole property of K2 Systems GmbH. It is protected by copyright and may only be copied, reproduced or distributed to a third party with explicit permission!





Pos.No.	Designation
1	Beam N-Rack 3750
2	3-Hole Brace N-Rack 715
3	3-Hole Brace N-Rack 1625
4	2-Hole Brace N-Rack 2072
5	CrossRail 73 - 5 m
6	CrossRail 73 - 3,3 m
7	CrossRail 73 Connector
8	N-Rack Base Plate
9	Climber 36/50 Set
10	EC Clamp Set
11	MC Clamp Set
12	Self-tapping screw 5,5 x 25 - A2
13	Hexagon head bolt M10 x 70 ISO 4014 - A2-70
14	Hexagon nut M10 - DIN 985 - A2-70



14 modules (2x7 Portrait)  
for module width ≤ 1150 mm

12 modules (2x6 Portrait)  
for module width >1150-1303 mm

Peak velocity  $q_p[z]$ : 0.67kN/m<sup>2</sup>  
Ground snow load  $S_k$ : 1.75kN/m<sup>2</sup>



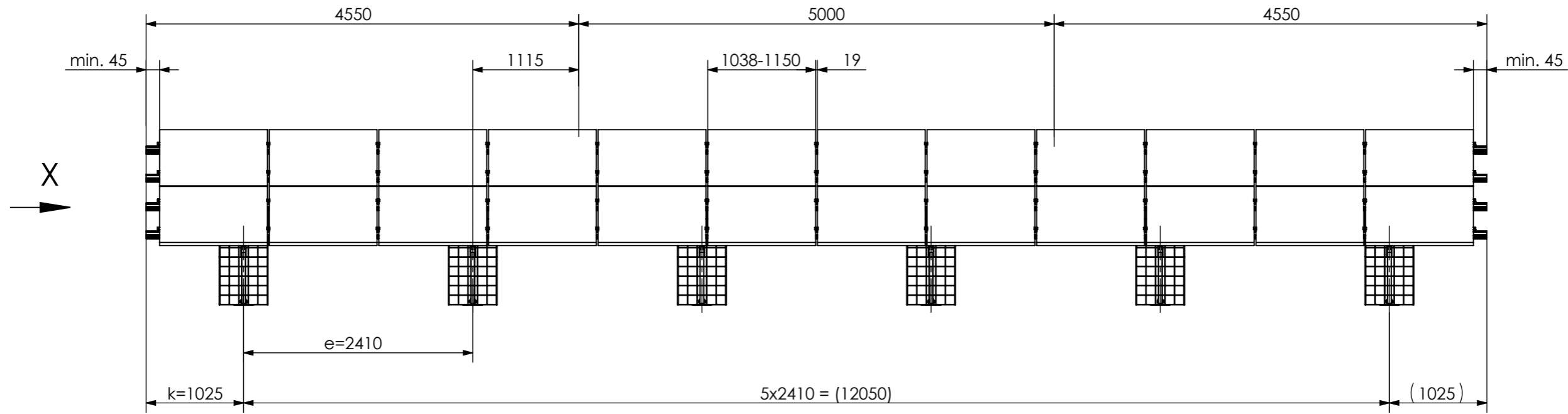
K2 Systems GmbH  
Haldenstr. 1  
71272 Renningen  
Germany  
+49 7159 42059-0

Designation: **Data sheet  
N-Rack 2.20 Gabion 2x7 L**

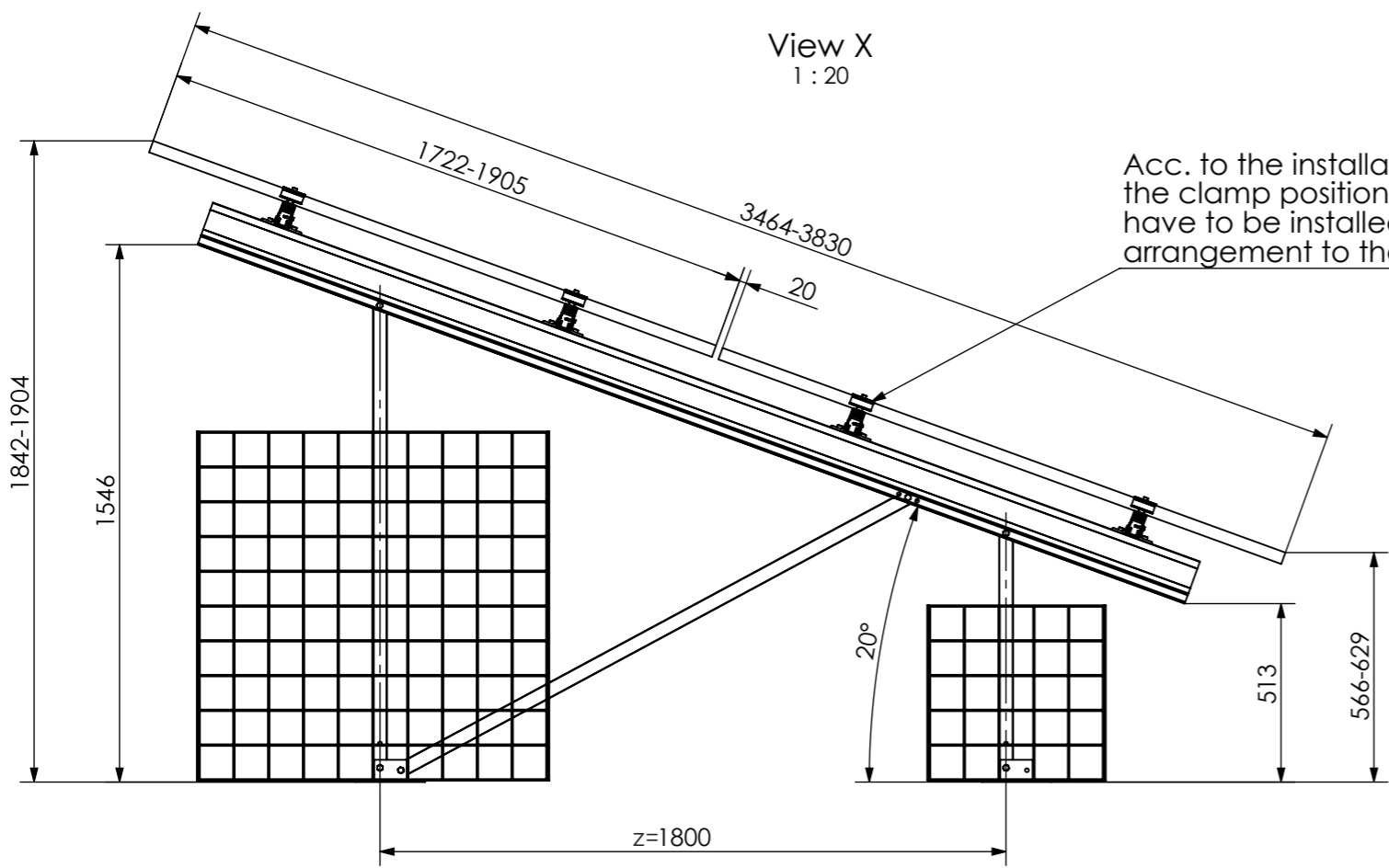
Name	Date	Material:	Item no.:	A3
Designed C. Erb	26.01.2026	-	---	All dimensions in mm Sheet 1 of 1
Approved L. Kreemke	16.03.2026	Surface: -	Drawing no.: --	
Last change		Weight: -	Scale: 1:50	

This drawing is the sole property of K2 Systems GmbH. It is protected by copyright and may only be copied, reproduced or distributed to a third party with explicit permission!

# Gabion Kit 2x12 S

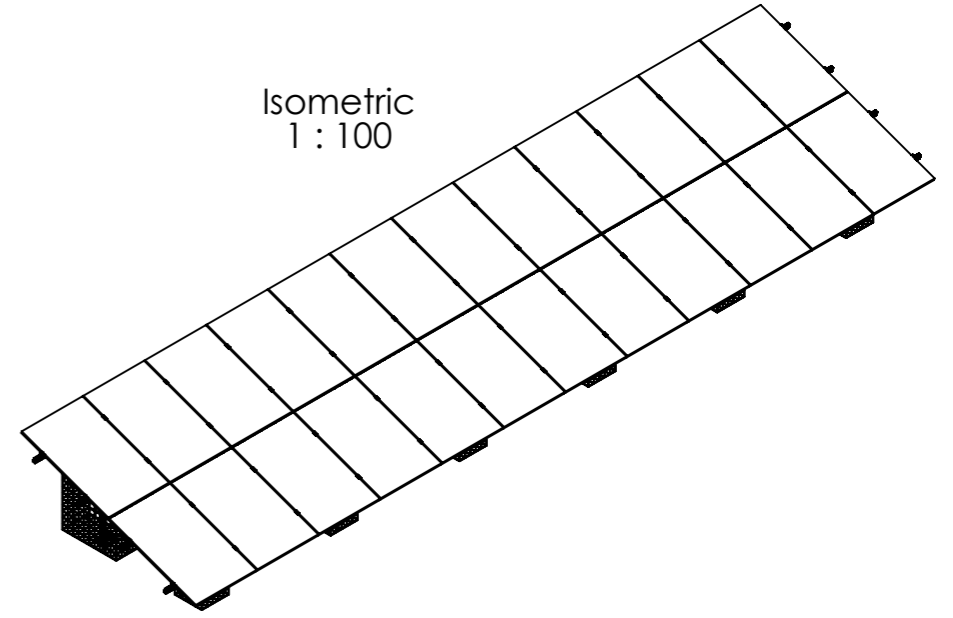


View X  
1 : 20



Acc. to the installation manual, the clamp position and the modules have to be installed in a symmetrical arrangement to the beam length.

Isometric  
1 : 100



24 modules (2x12 Portrait)  
for module width ≤ 1150mm

20 modules (2x10 Portrait)  
for module width > 1150-1303mm

Peak velocity  $q_p[z]$ : 0.67kN/m<sup>2</sup>  
Ground snow load  $S_k$ : 1.75kN/m<sup>2</sup>

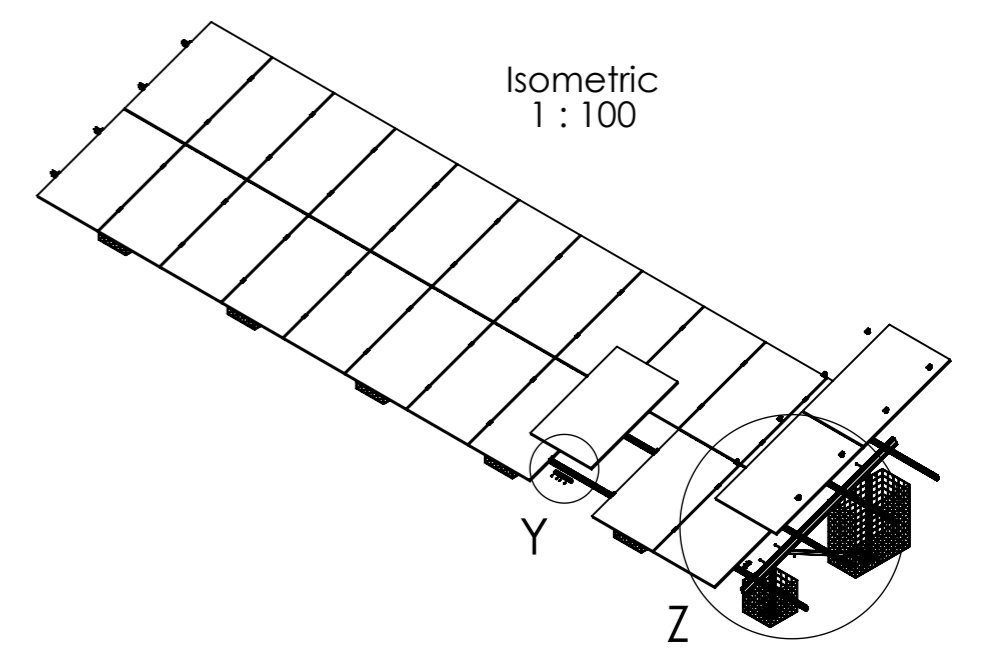
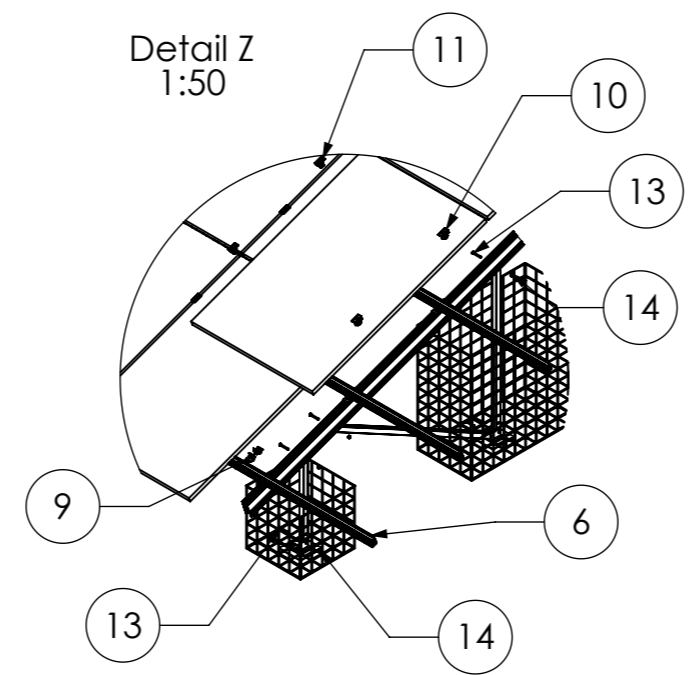
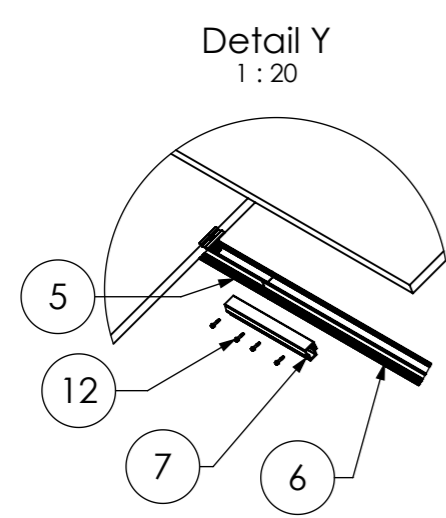
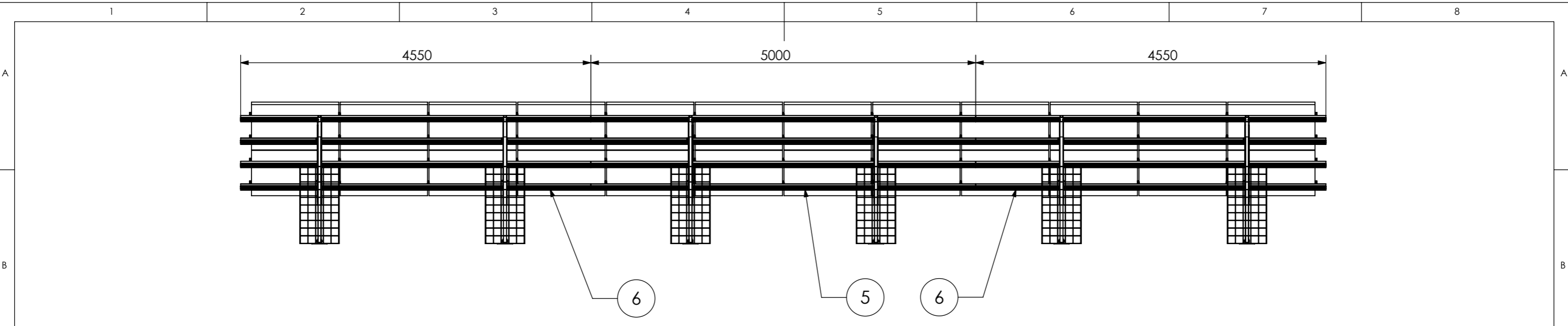


K2 Systems GmbH  
Haldenstr. 1  
71272 Renningen  
Germany  
+49 7159 42059-0

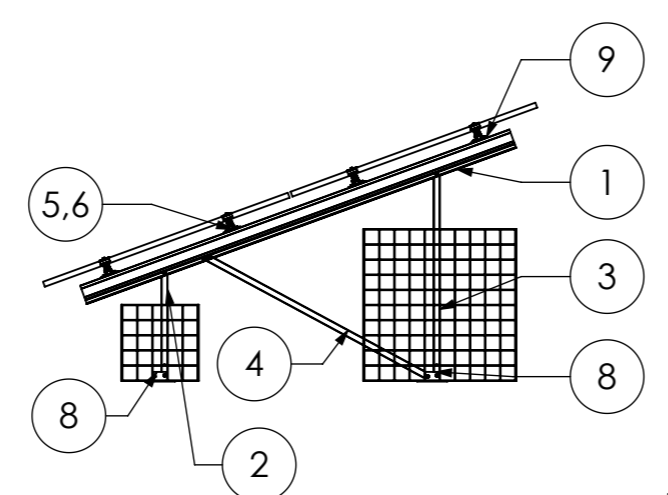
Designation:  
**Data sheet**  
**N-Rack 2.20 Gabion 2x12 S**

	Name	Date	Material:	Item no.:	A3
Designed	C. Erb	27.01.2026	-	-	
Approved	L. Kreemke	16.03.2026	Surface: -	Drawing no.:	All dimensions in mm
Last change			Weight: -	Scale: 1:50	Sheet 1 of 1

This drawing is the sole property of K2 Systems GmbH. It is protected by copyright and may only be copied, reproduced or distributed to a third party with explicit permission!




Pos.No.	Designation
1	Beam N-Rack 3020
2	3-Hole Brace N-Rack 715
3	3-Hole Brace N-Rack 1370
4	2-Hole Brace N-Rack 1696
5	CrossRail 73 - 5m
6	CrossRail 73 - 4,55m
7	CrossRail 73 Connector
8	N-Rack Base Plate
9	Climber 36/50 Set
10	EC Clamp Set
11	MC Clamp Set
12	Self-tapping screw 5,5 x 25 - A2
13	Hexagon head bolt M10 x 70 ISO 4014 - A2-70
14	Hexagon nut M10 - DIN 985 - A2-70



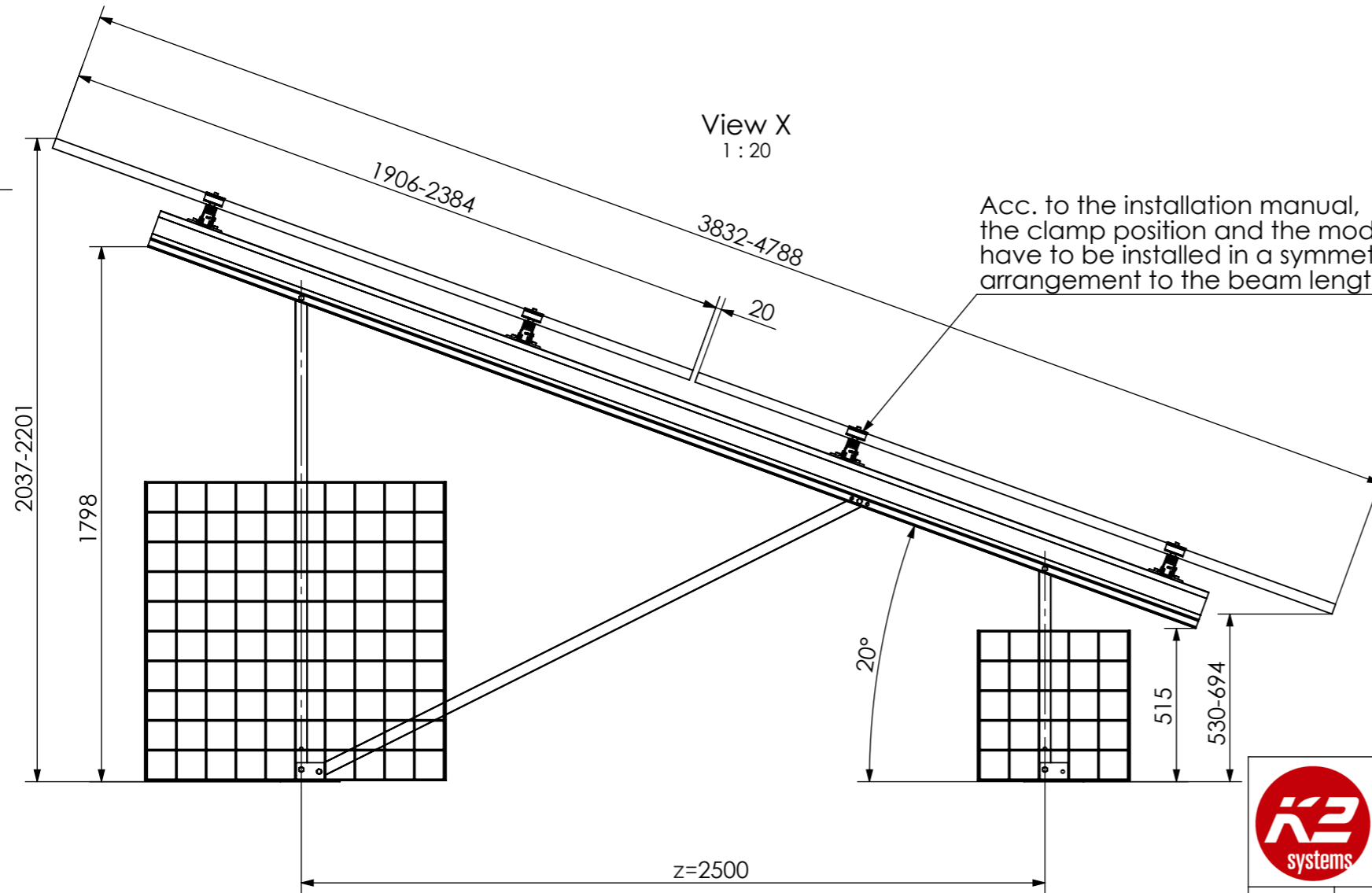
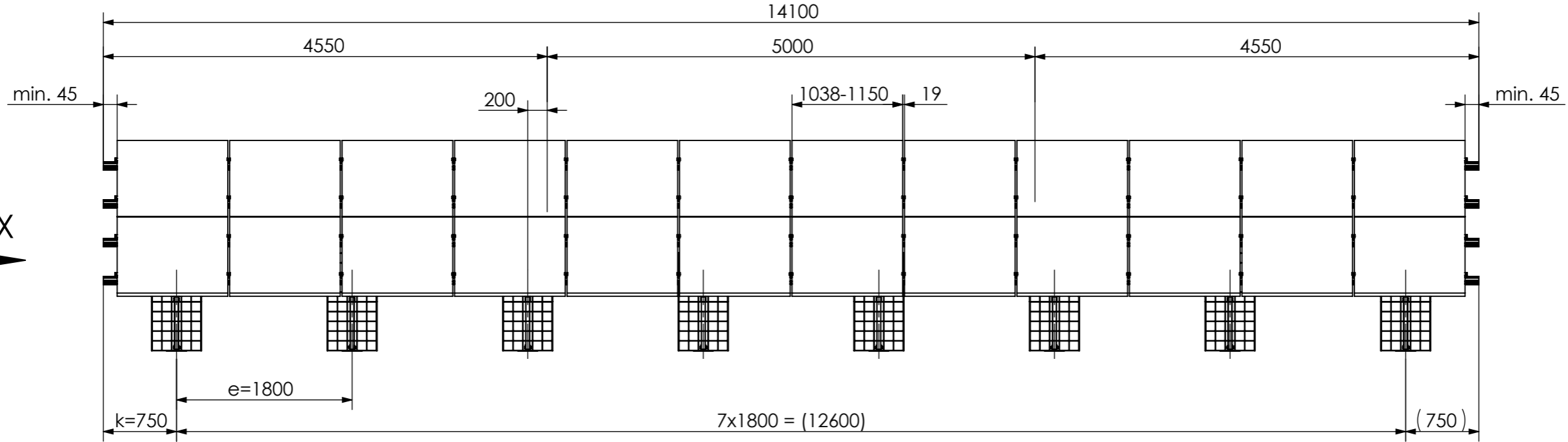
24 modules (2x12 Portrait)  
for module width ≤ 1150mm

20 modules (2x10 Portrait)  
for module width >1150-1303mm

Peak velocity  $q_p[z]$ : 0.67kN/m<sup>2</sup>  
Ground snow load  $S_k$ : 1.75kN/m<sup>2</sup>

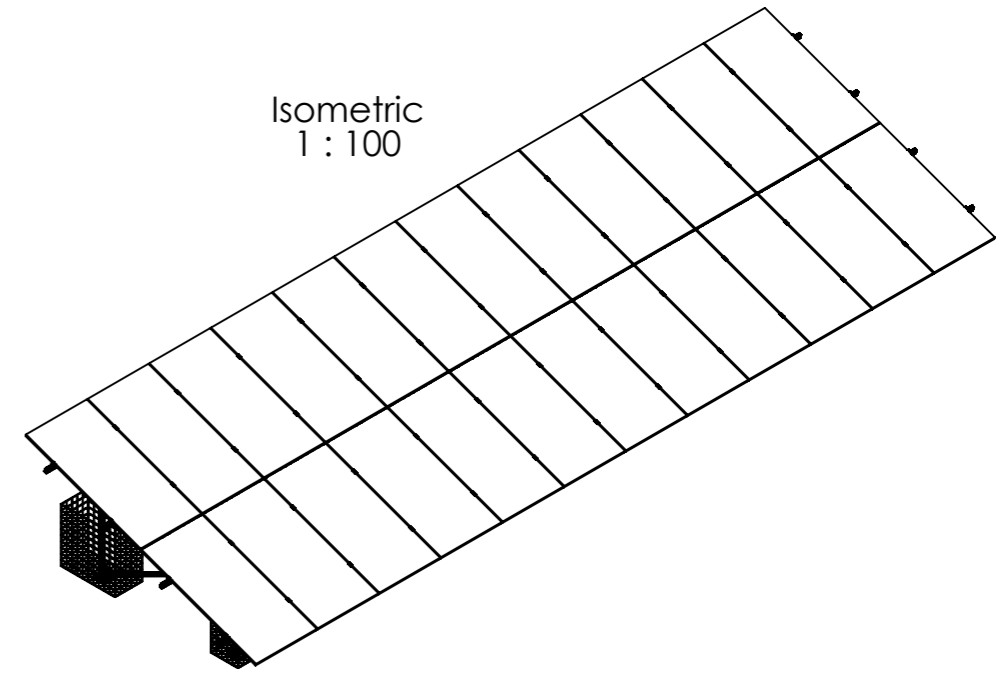
	K2 Systems GmbH Haldenstr. 1 71272 Renningen Germany +49 7159 42059-0			Designation: <b>Data sheet N-Rack 2.20 Gabion 2x12 S</b>												
	<table border="1"> <thead> <tr> <th>Name</th> <th>Date</th> <th>Material:</th> </tr> </thead> <tbody> <tr> <td>Designed C. Erb</td> <td>27.01.2026</td> <td>-</td> </tr> <tr> <td>Approved L. Kreemke</td> <td>16.03.2026</td> <td>Surface: -</td> </tr> <tr> <td>Last change</td> <td></td> <td>Weight: -</td> </tr> </tbody> </table>	Name	Date	Material:	Designed C. Erb	27.01.2026	-	Approved L. Kreemke	16.03.2026	Surface: -	Last change		Weight: -	Item no.: -	A3	Drawing no.: -
Name	Date	Material:														
Designed C. Erb	27.01.2026	-														
Approved L. Kreemke	16.03.2026	Surface: -														
Last change		Weight: -														
This drawing is the sole property of K2 Systems GmbH. It is protected by copyright and may only be copied, reproduced or distributed to a third party with explicit permission!																

# Gabion Kit 2x12 L



Acc. to the installation manual, the clamp position and the modules have to be installed in a symmetrical arrangement to the beam length.

Isometric  
1 : 100



24 modules (2x12 Portrait)  
for module width ≤ 1150mm

20 modules (2x10 Portrait)  
for module width >1150-1303mm

Peak velocity  $q_p[z]$ : 0.67kN/m<sup>2</sup>  
Ground snow load  $S_k$ : 1.75kN/m<sup>2</sup>

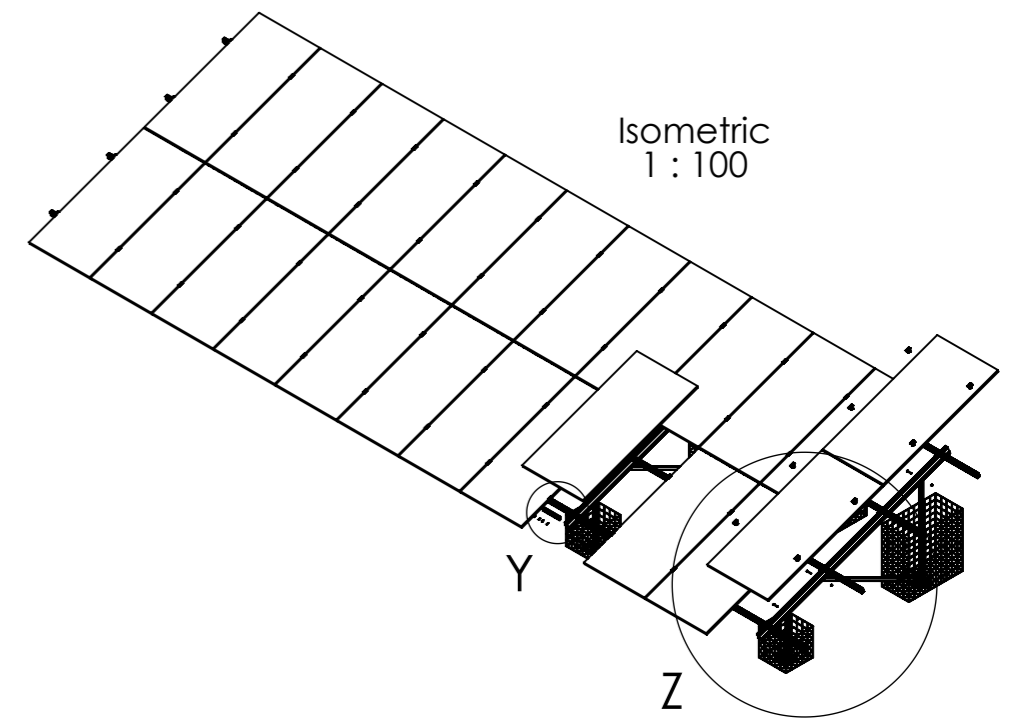
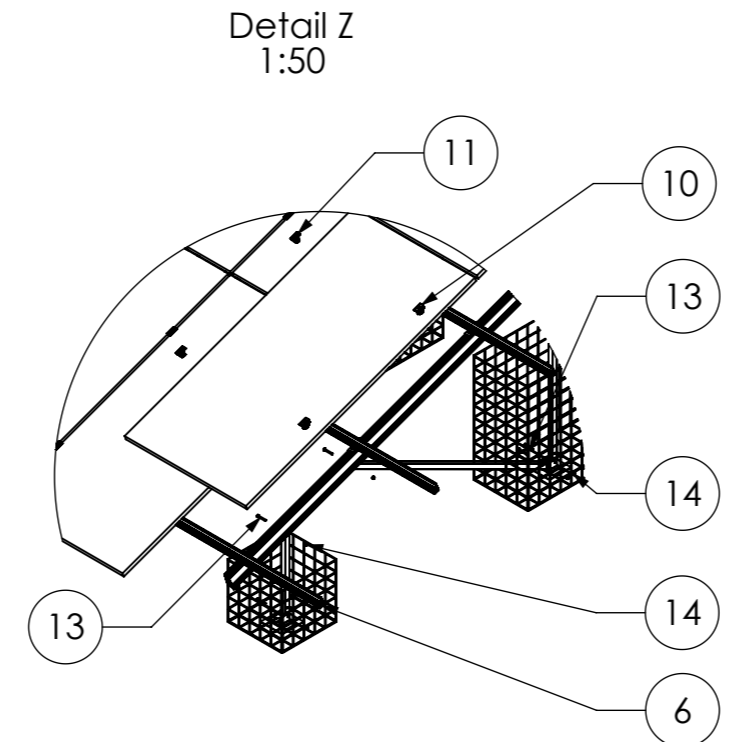
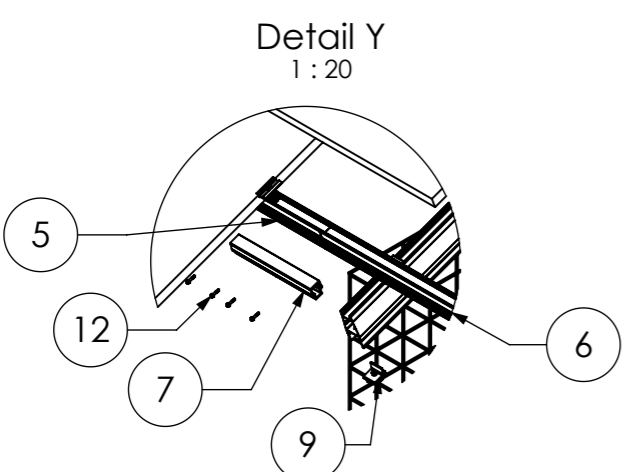
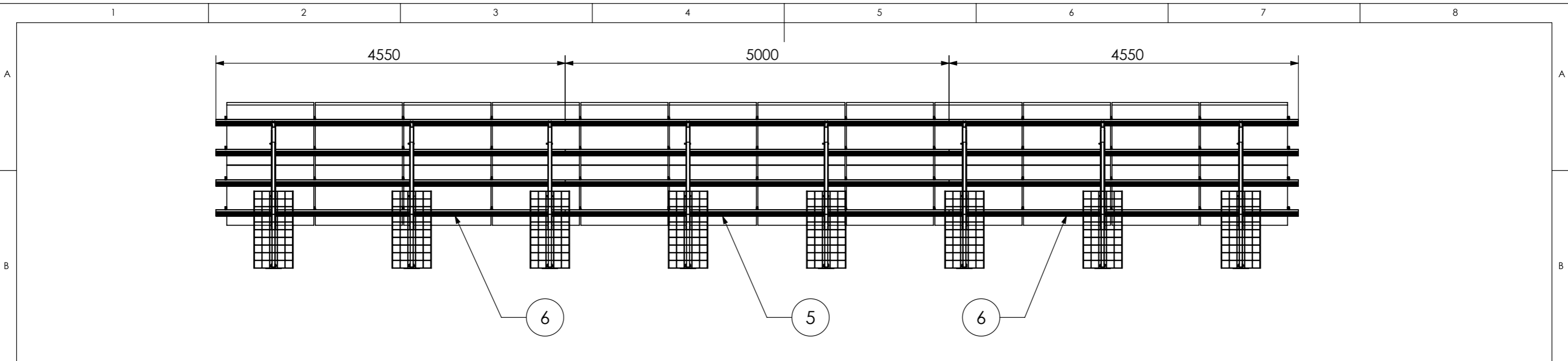


K2 Systems GmbH  
Haldenstr. 1  
71272 Renningen  
Germany  
+49 7159 42059-0

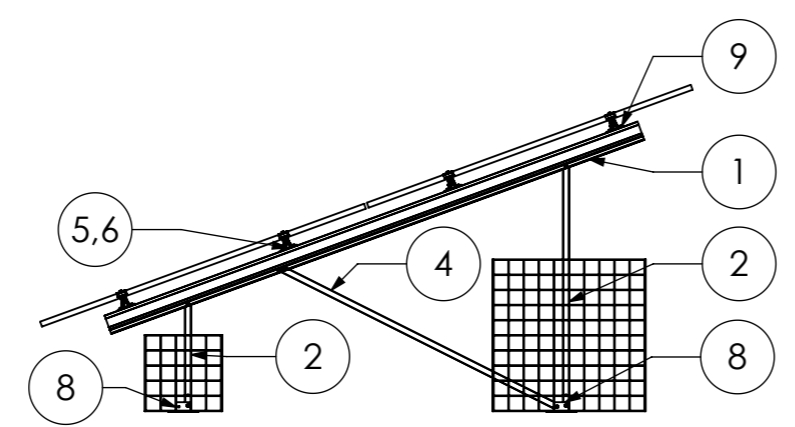
Designation:  
**Data sheet**  
**N-Rack 2.20 Gabion 2x12 L**

	Name	Date	Material:	Item no.:	A3
Designed	C. Erb	27.01.2026	-	-	All dimensions in mm Sheet 1 of 1
Approved	L. Kreemke	16.03.2026	Surface: -	Drawing no.: -	
Last change			Weight: -	Scale: 1:50	

This drawing is the sole property of K2 Systems GmbH. It is protected by copyright and may only be copied, reproduced or distributed to a third party with explicit permission!




Pos.No.	Designation
1	Beam N-Rack 3750
2	3-Hole Brace N-Rack 715
3	3-Hole Brace N-Rack 1625
4	2-Hole Brace N-Rack 2072
5	CrossRail 73 - 5 m
6	CrossRail 73 - 4,55 m
7	CrossRail 73 Connector
8	N-Rack Base Plate
9	Climber 36/50 Set
10	EC Clamp Set
11	MC Clamp Set
12	Self-tapping screw 5,5 x 25 - A2
13	Hexagon head bolt M10 x 70 ISO 4014 - A2-70
14	Hexagon nut M10 - DIN 985 - A2-70



24 modules (2x12 Portrait)  
for module width ≤ 1150mm

20 modules (2x10 Portrait)  
for module width > 1150-1303mm

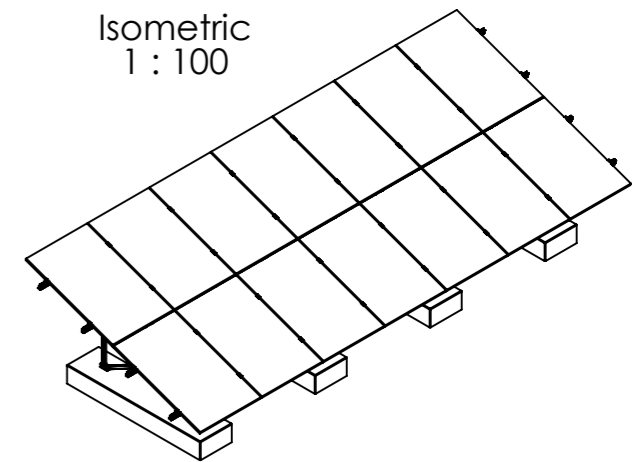
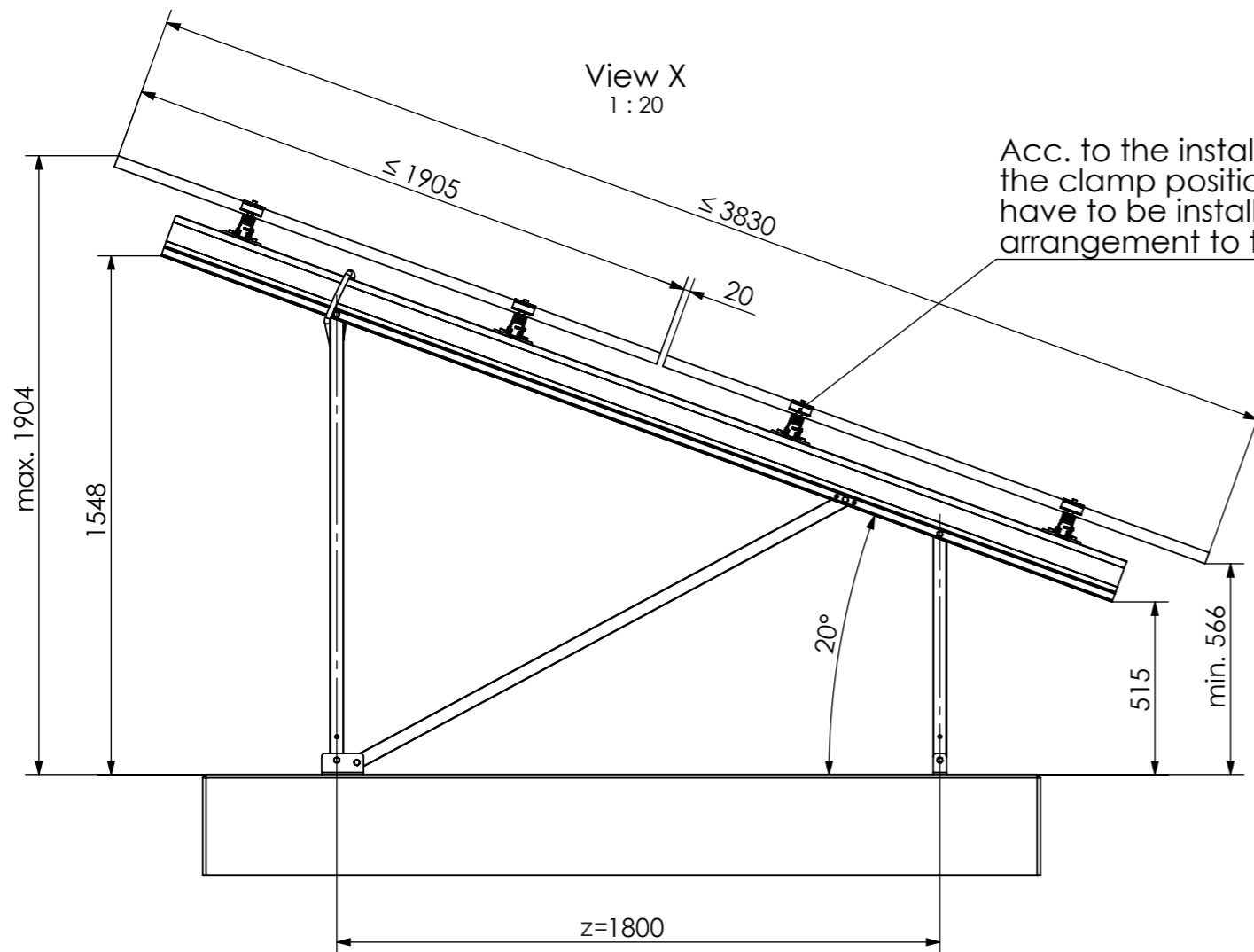
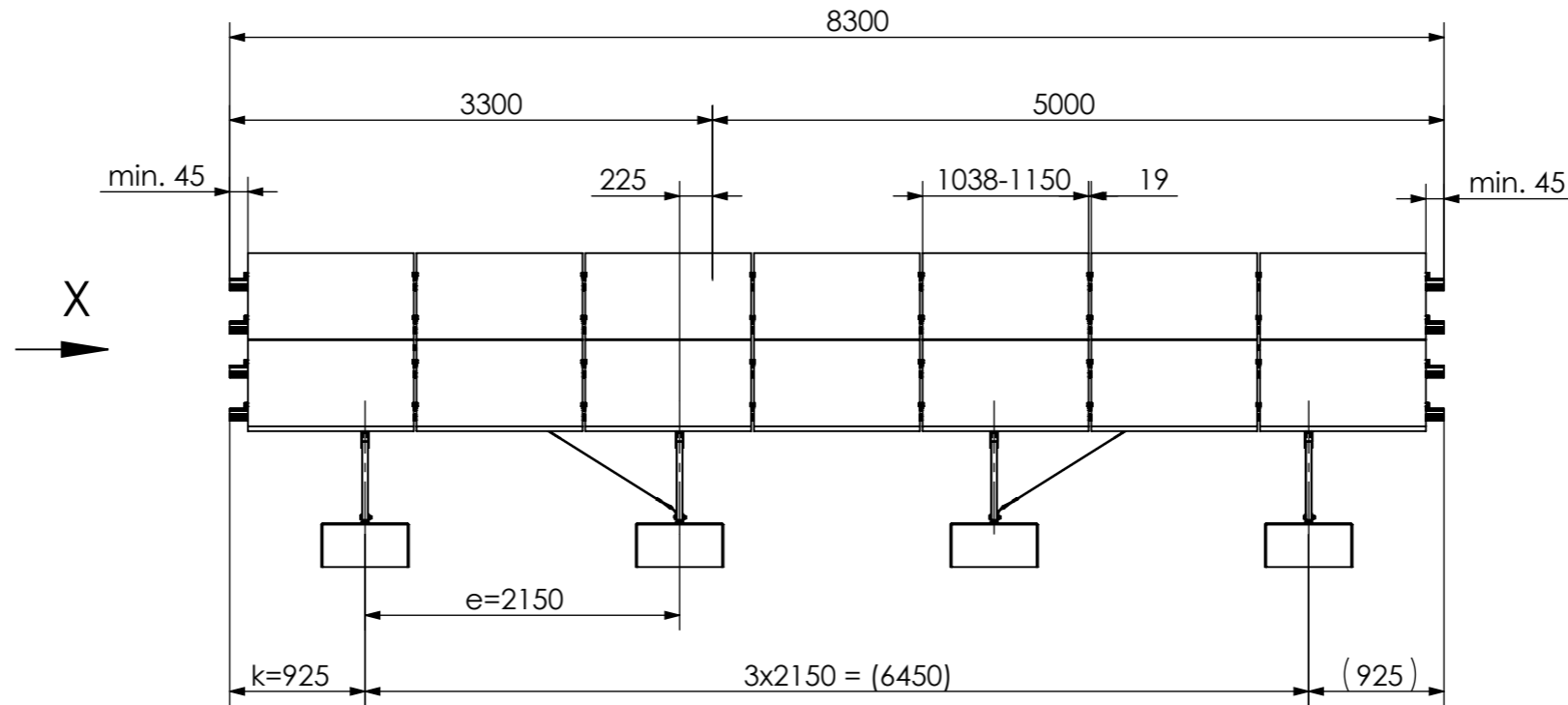
Peak velocity  $q_p[z]$ : 0.67kN/m<sup>2</sup>  
Ground snow load  $S_k$ : 1.75kN/m<sup>2</sup>

	K2 Systems GmbH Haldenstr. 1 71272 Renningen Germany +49 7159 42059-0			Designation: <h3>Data sheet</h3> <h2>N-Rack 2.20 Gabion 2x12 L</h2>										
	<table border="1"> <thead> <tr> <th>Name</th> <th>Date</th> <th>Material:</th> </tr> </thead> <tbody> <tr> <td>Designed C. Erb</td> <td>27.01.2026</td> <td>-</td> </tr> <tr> <td>Approved L. Kreemke</td> <td>16.03.2026</td> <td>Surface: -</td> </tr> <tr> <td>Last change</td> <td></td> <td>Weight: -</td> </tr> </tbody> </table>	Name	Date	Material:	Designed C. Erb	27.01.2026	-	Approved L. Kreemke	16.03.2026	Surface: -	Last change		Weight: -	Item no.: -
Name	Date	Material:												
Designed C. Erb	27.01.2026	-												
Approved L. Kreemke	16.03.2026	Surface: -												
Last change		Weight: -												
Scale: 1:50			Drawing no.: -		All dimensions in mm Sheet 1 of 1									

This drawing is the sole property of K2 Systems GmbH. It is protected by copyright and may only be copied, reproduced or distributed to a third party with explicit permission!

# Concrete foundations

## Concrete Kit 2x7 S



14 modules (2x7 Portrait)  
for module width  $\leq 1150$  mm

12 modules (2x6 Portrait)  
for module width  $>1150-1303$  mm

Peak velocity  $q_p[z]$ :  $0.67 \text{ kN/m}^2$   
Ground snow load  $S_k$ :  $1.75 \text{ kN/m}^2$



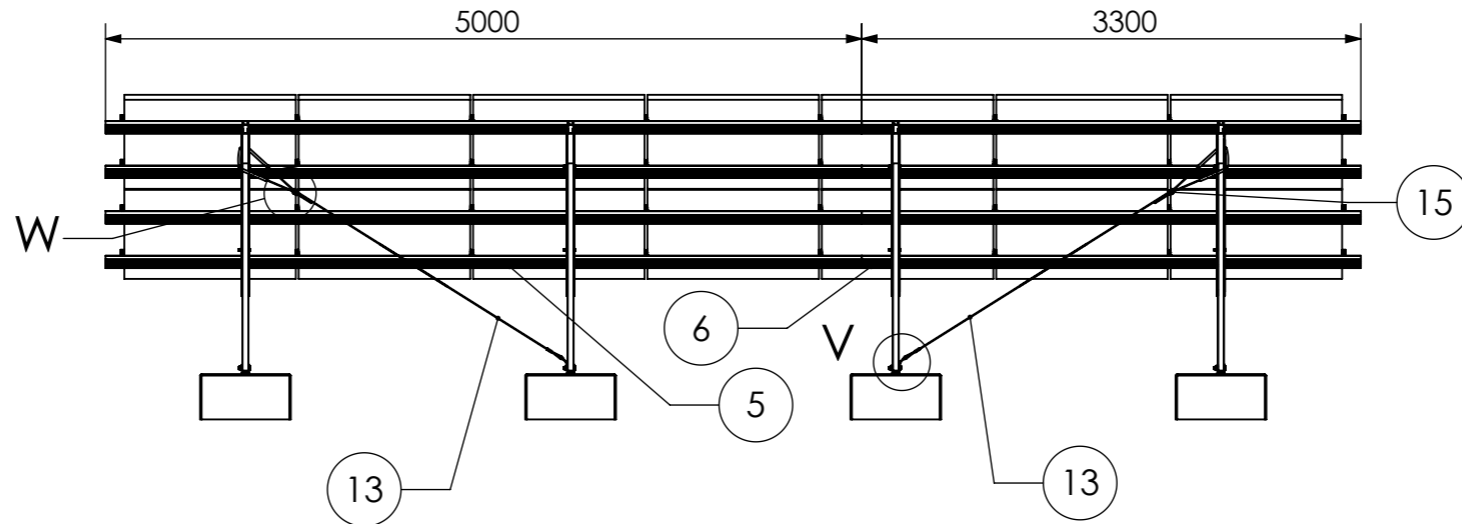
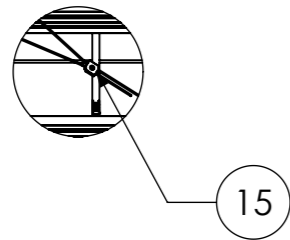
K2 Systems GmbH  
Haldenstr. 1  
71272 Renningen  
Germany  
+49 7159 42059-0

Designation:  
**Data sheet**  
**N-Rack 2.20 Concrete 2x7 S**

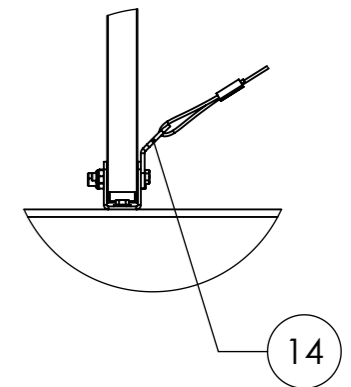
Name	Date	Material:	Item no.:	A3
Designed C. Erb	18.12.2025	-	---	All dimensions in mm Sheet 1 of 1
Approved L. Kreemke	16.03.2026	Surface: -	Drawing no.: --	
Last change		Weight: -	Scale: 1:50	

This drawing is the sole property of K2 Systems GmbH. It is protected by copyright and may only be copied, reproduced or distributed to a third party with explicit permission!

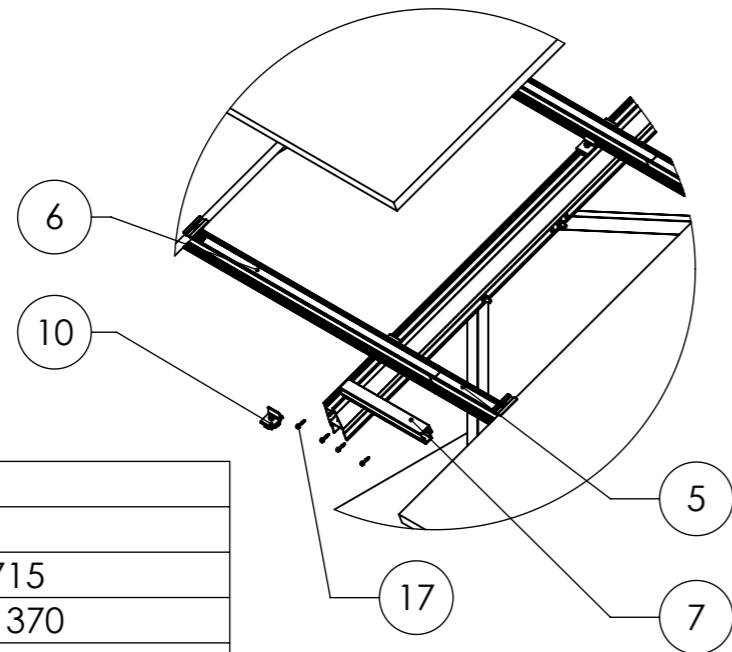
Detail W  
1 : 20



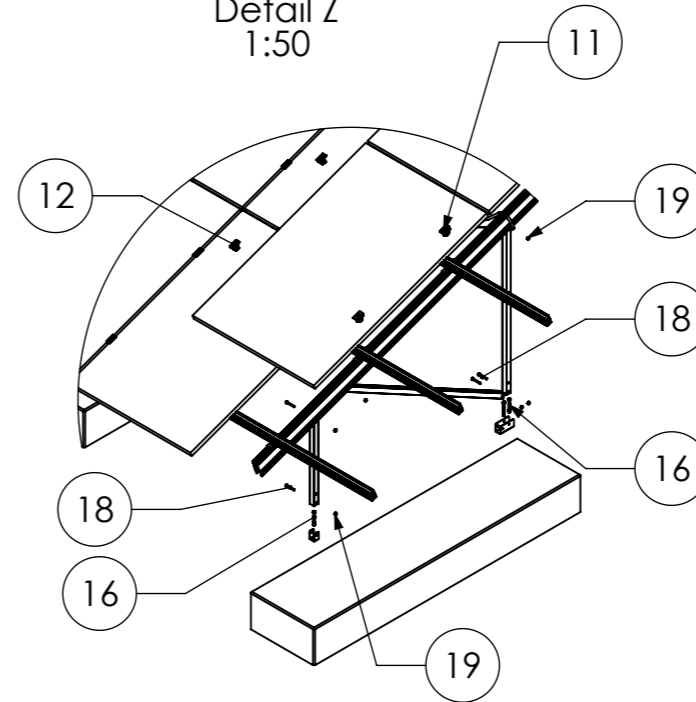
Detail V  
1 : 10



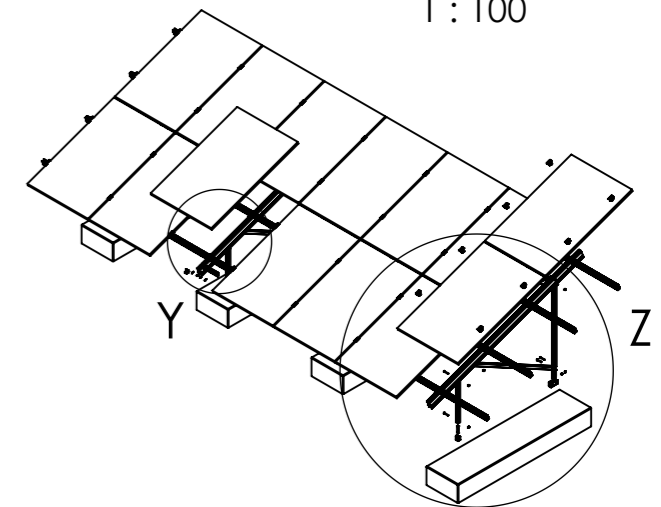
Detail Y  
1 : 20



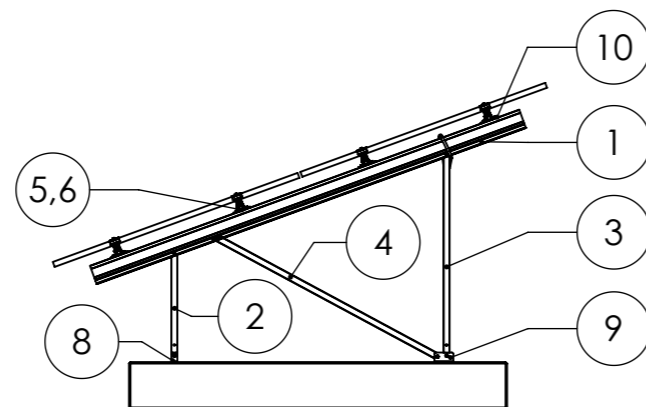
Detail Z  
1:50



Isometric  
1 : 100



Pos.No.	Designation
1	Beam N-Rack 3020
2	3-Hole Brace N-Rack 715
3	3-Hole Brace N-Rack 1370
4	2-Hole Brace N-Rack 1696
5	CrossRail 73 - 5 m
6	CrossRail 73 - 3,3 m
7	CrossRail 73 Connector
8	N-Rack Foot front
9	N-Rack Foot back
10	Climber 36/50 Set
11	EC Clamp Set
12	MC Clamp Set
13	Gripple Bracing
14	Gripple Angle
15	Gripple Lock
16	Heco Multi-Monti 12 x105 - A4
17	Self-tapping screw 5,5 x 25 - A2
18	Hexagon head bolt M10 x 70 ISO 4014 - A2-70
19	Hexagon nut M10 - DIN 985 - A2-70



14 modules (2x7 Portrait)  
for module width ≤ 1150 mm

12 modules (2x6 Portrait)  
for module width >1150-1303 mm

Peak velocity  $q_p[z]$ : 0.67kN/m<sup>2</sup>  
Ground snow load  $S_k$ : 1.75kN/m<sup>2</sup>



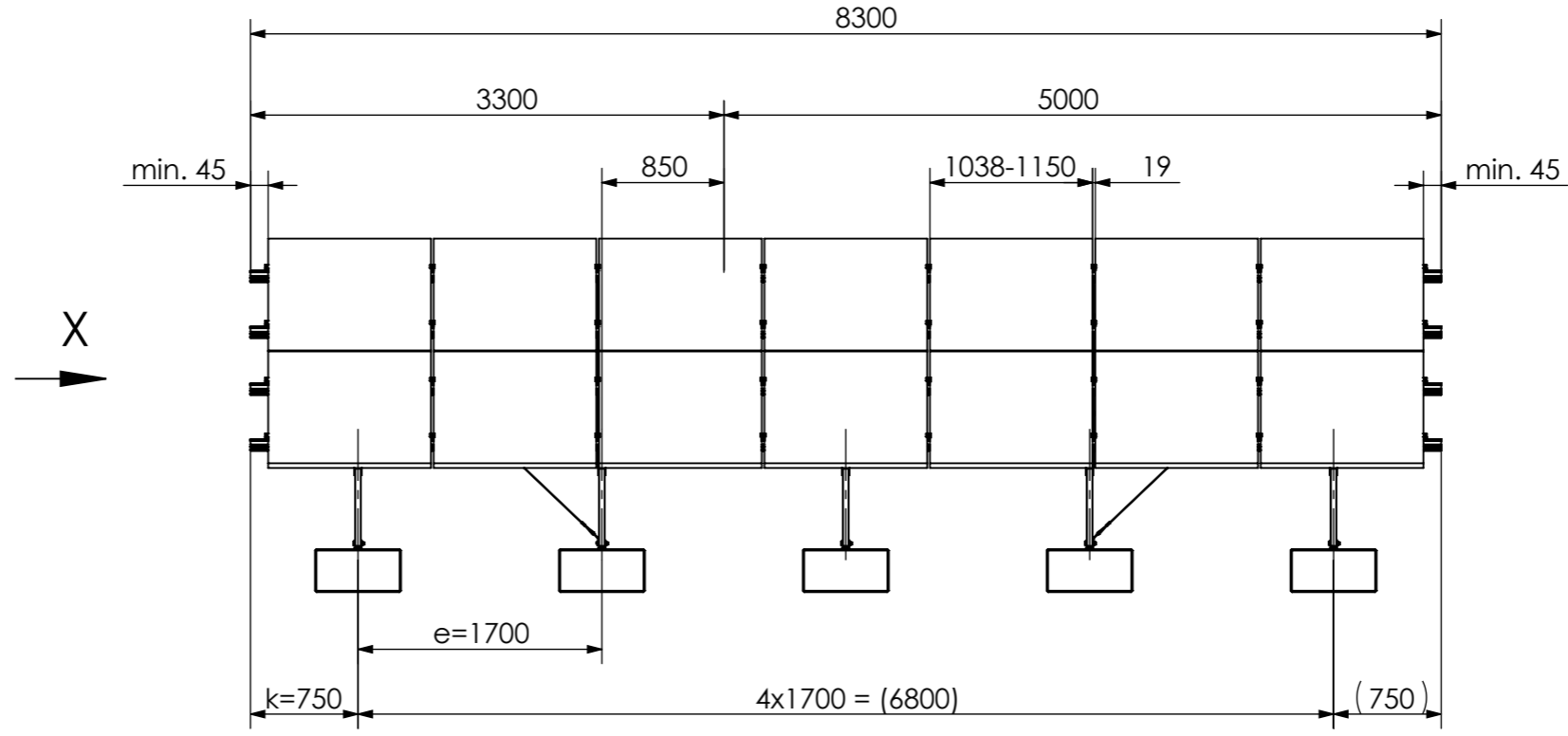
K2 Systems GmbH  
Haldenstr. 1  
71272 Renningen  
Germany  
+49 7159 42059-0

Designation:  
**Data sheet**  
**N-Rack 2.20 Concrete 2x7 S**

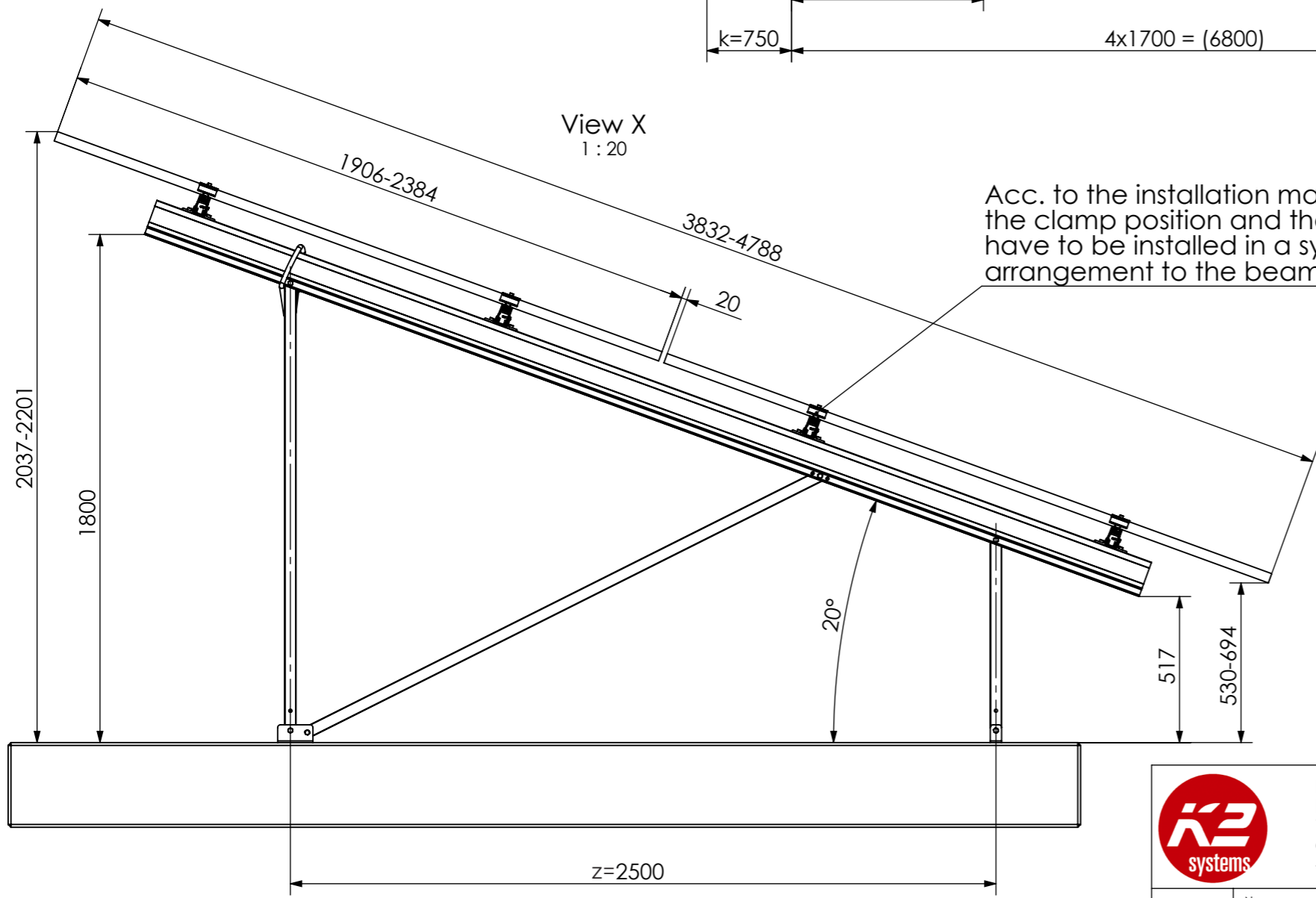
Name	Date	Material:	Item no.:	A3
Designed C. Erb	18.12.2025	-	---	All dimensions in mm Sheet 1 of 1
Approved L. Kreemke	16.03.2026	Surface: -	Drawing no.: --	
Last change		Weight: -	Scale: 1:50	

This drawing is the sole property of K2 Systems GmbH. It is protected by copyright and may only be copied, reproduced or distributed to a third party with explicit permission!

**Concrete Kit 2x7 L**

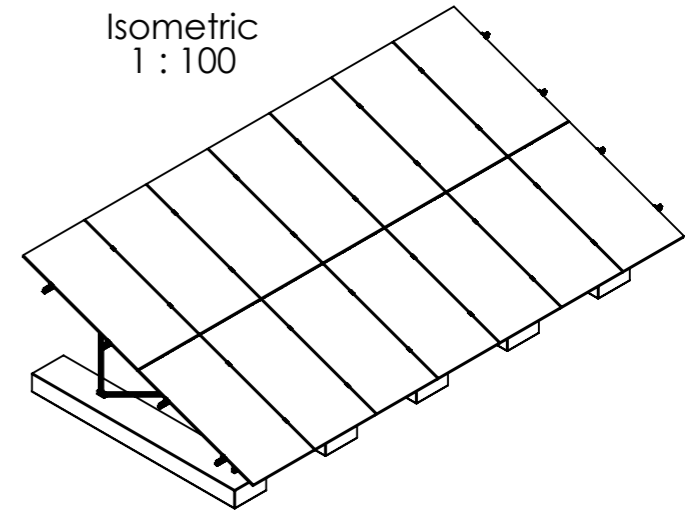


View X  
1 : 20



Acc. to the installation manual, the clamp position and the modules have to be installed in a symmetrical arrangement to the beam length.

Isometric  
1 : 100



14 modules (2x7 Portrait)  
for module width ≤ 1150 mm

12 modules (2x6 Portrait)  
for module width >1150-1303 mm

Peak velocity  $q_p[z]$ : 0.67kN/m<sup>2</sup>  
Ground snow load  $S_k$ : 1.75kN/m<sup>2</sup>



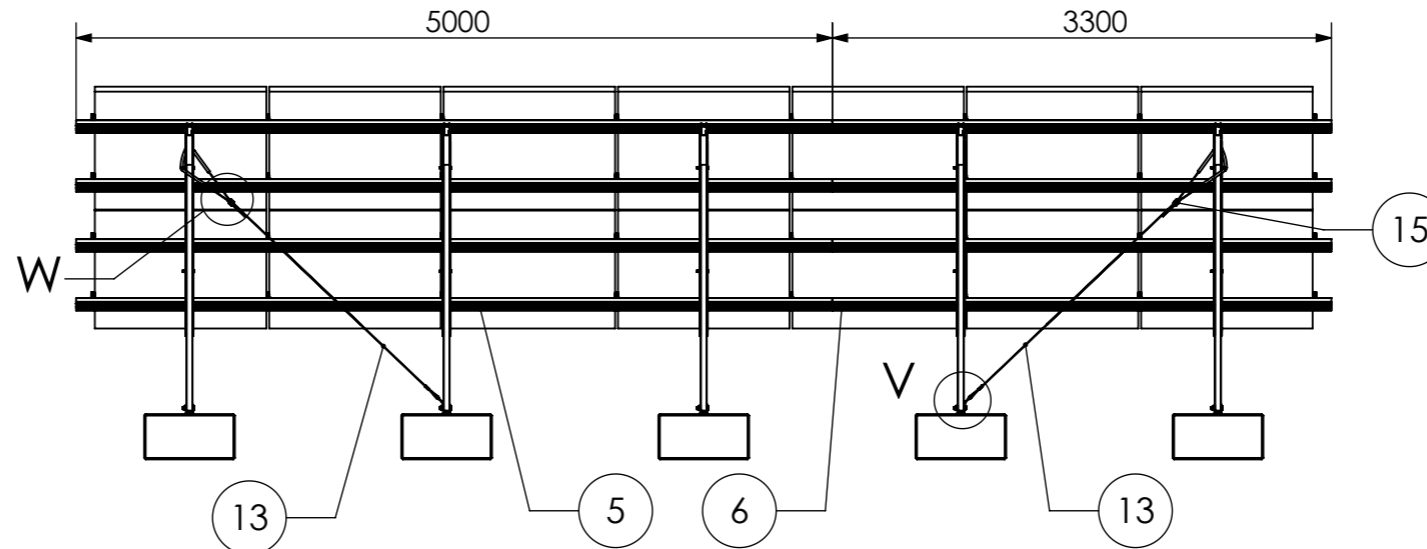
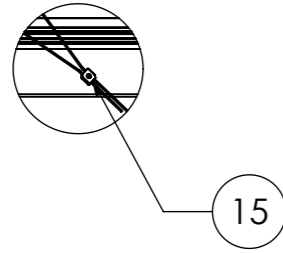
K2 Systems GmbH  
Haldenstr. 1  
71272 Renningen  
Germany  
+49 7159 42059-0

Designation:  
**Data sheet  
N-Rack 2.20 Concrete 2x7 L**

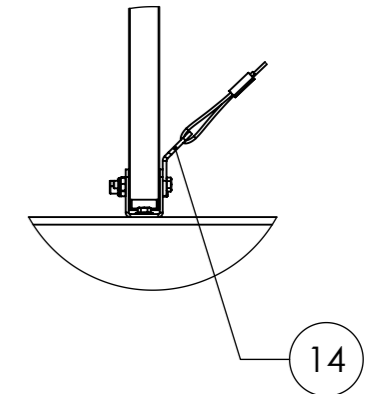
Name	Date	Material:	Item no.:	A3
Designed C. Erb	16.12.2025	-	---	
Approved L. Kreemke	16.03.2026	Surface: -	Drawing no.: --	All dimensions in mm Sheet 1 of 1
Last change		Weight: -	Scale: 1:50	

This drawing is the sole property of K2 Systems GmbH. It is protected by copyright and may only be copied, reproduced or distributed to a third party with explicit permission!

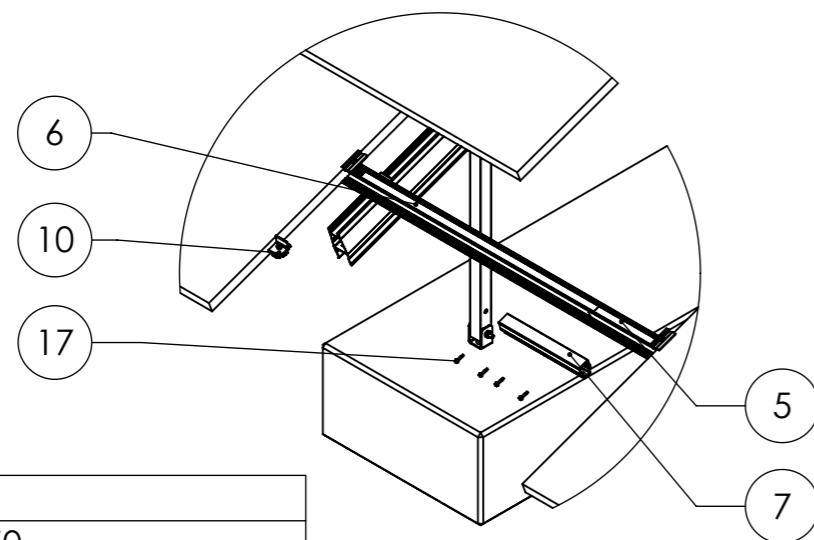
Detail W  
1 : 20



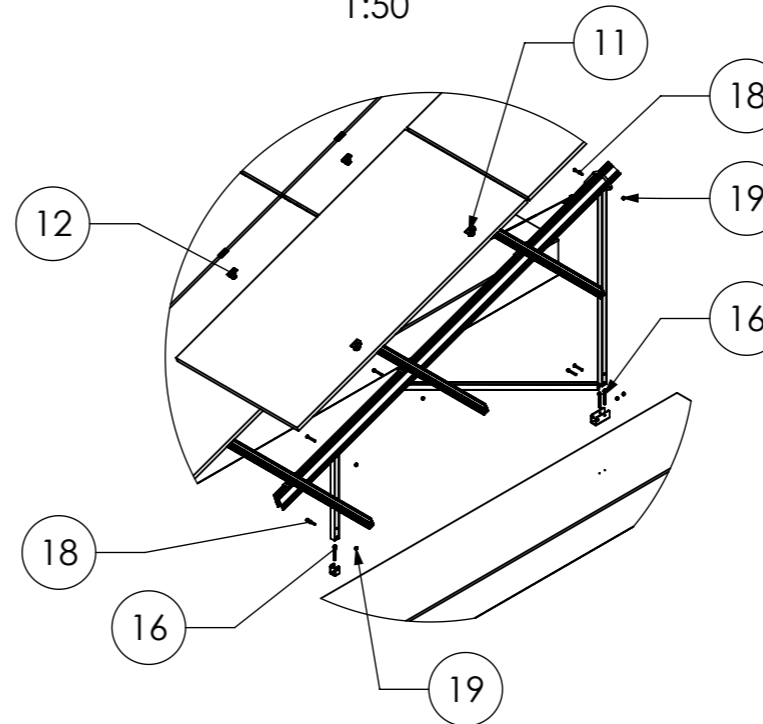
Detail V  
1 : 10



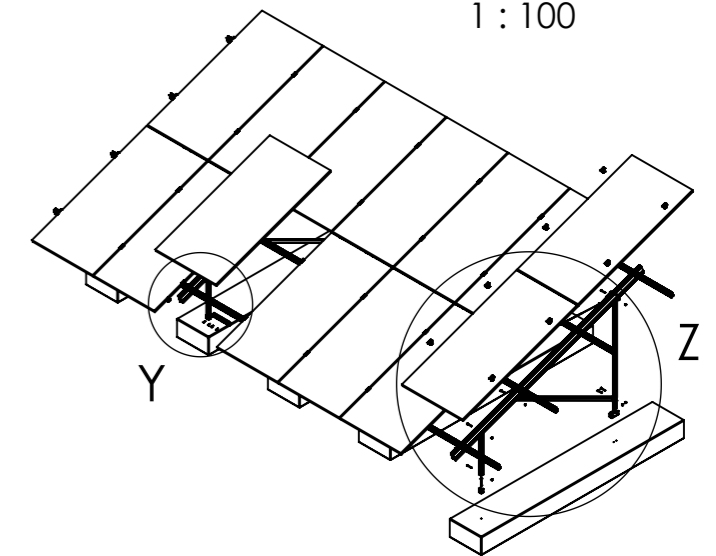
Detail Y  
1 : 20



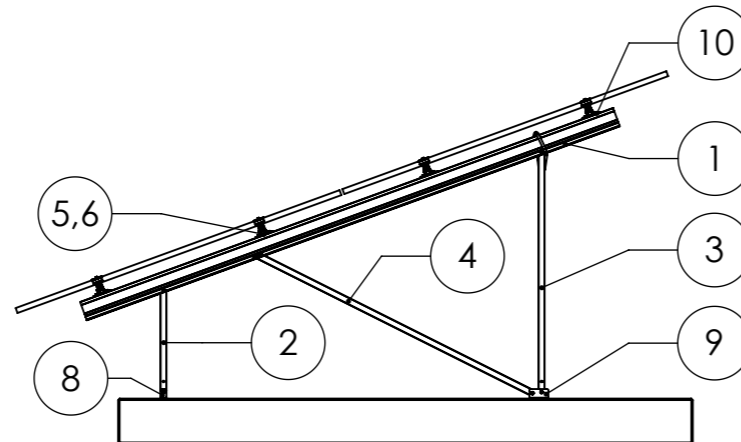
Detail Z  
1 : 50



Isometric  
1 : 100



Pos.No.	Designation
1	Beam N-Rack 3750
2	3-Hole Brace N-Rack 715
3	3-Hole Brace N-Rack 1625
4	2-Hole Brace N-Rack 2072
5	CrossRail 73 - 5 m
6	CrossRail 73 - 3,3 m
7	CrossRail 73 Connector
8	N-Rack Foot front
9	N-Rack Foot back
10	Climber 36/50 Set
11	EC Clamp Set
12	MC Clamp Set
13	Gripple Bracing
14	Gripple Angle
15	Gripple Lock
16	Heco Multi-Monti 12 x105 - A4
17	Self-tapping screw 5,5 x 25 - A2
18	Hexagon head bolt M10 x 70 ISO 4014 - A2-70
19	Hexagon nut M10 - DIN 985 - A2-70



14 modules (2x7 Portrait)  
for module width ≤ 1150 mm

12 modules (2x6 Portrait)  
for module width >1150-1303 mm

Peak velocity  $q_p[z]$ : 0.67kN/m<sup>2</sup>  
Ground snow load  $S_k$ : 1.75kN/m<sup>2</sup>



K2 Systems GmbH  
Haldenstr. 1  
71272 Renningen  
Germany  
+49 7159 42059-0

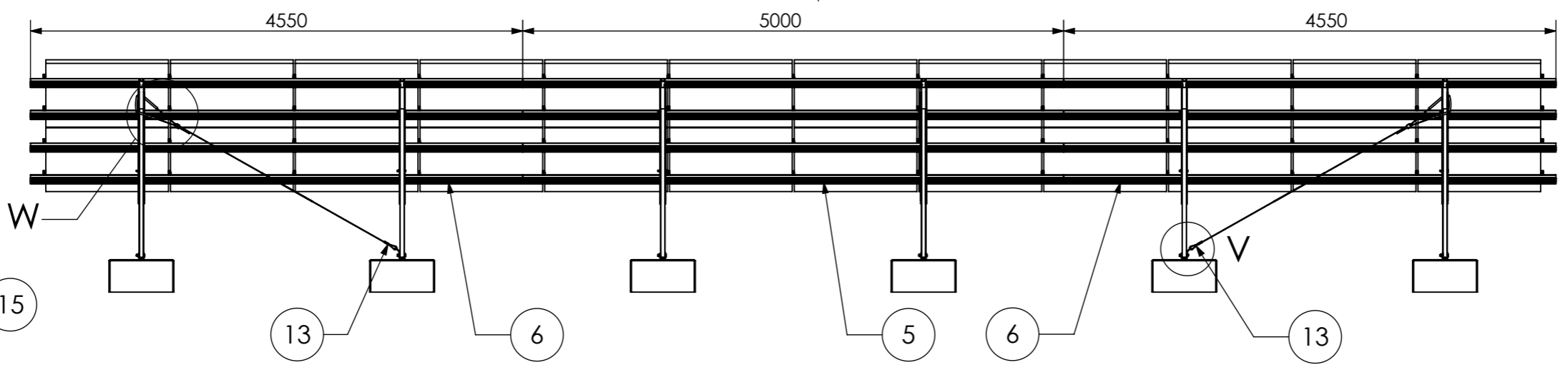
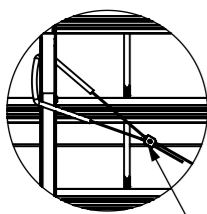
Designation:  
**Data sheet**  
**N-Rack 2.20 Concrete 2x7 L**

Designed	C. Erb	Date	16.12.2025	Material:	-	Item no.:	---	A3
Approved	L. Kreemke	Date	16.03.2026	Surface:	-	Drawing no.:	---	
Last change				Weight:	-	Scale:	1:50	

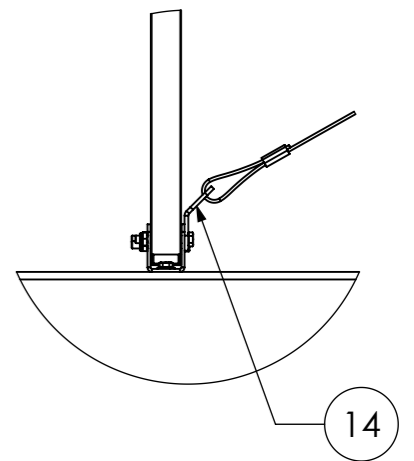
This drawing is the sole property of K2 Systems GmbH. It is protected by copyright and may only be copied, reproduced or distributed to a third party with explicit permission!



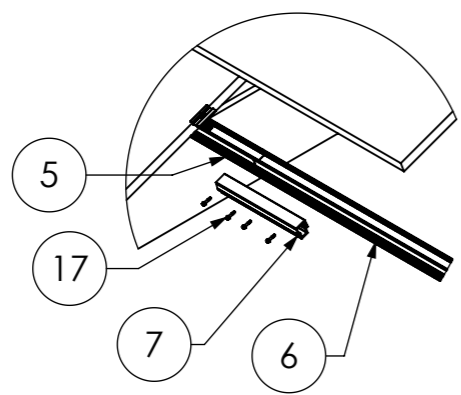
Detail W  
1 : 25



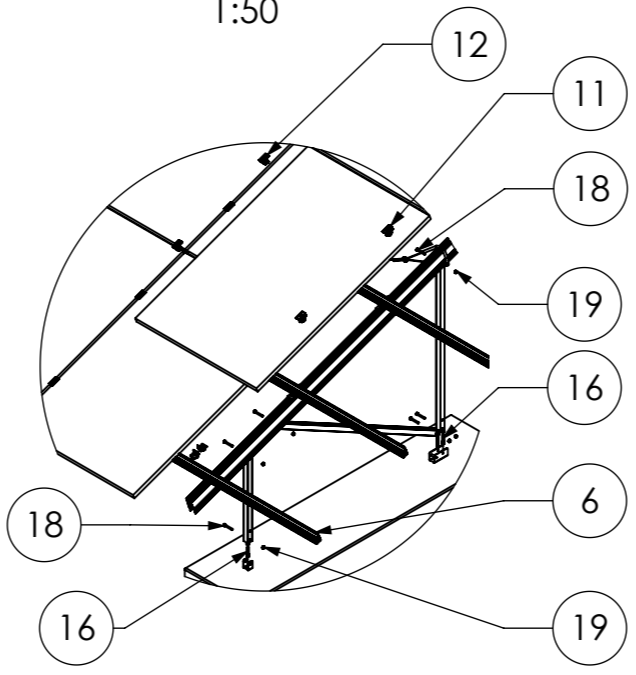
Detail V  
1 : 10



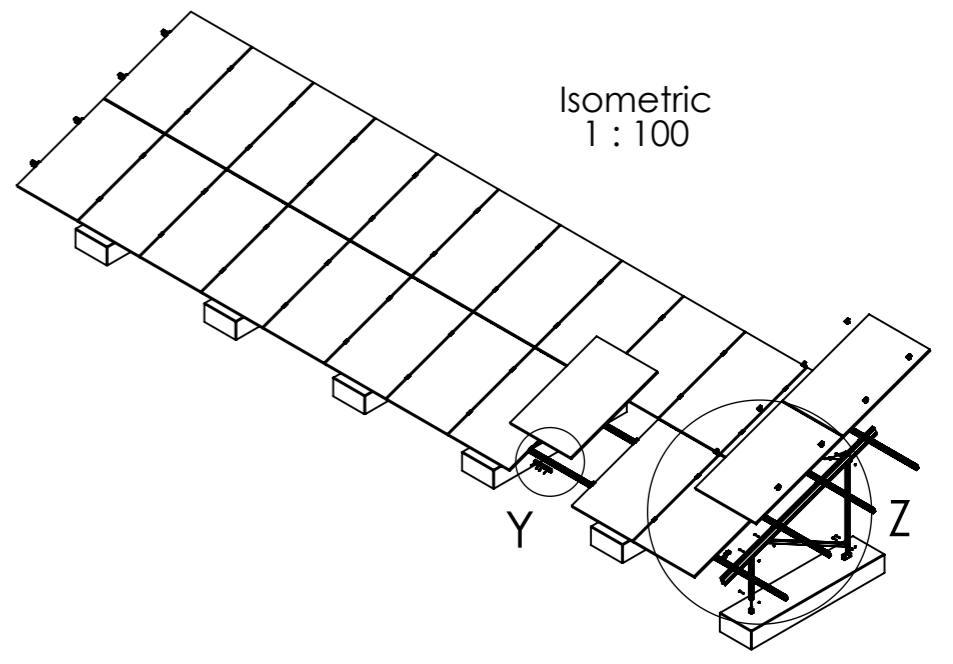
Detail Y  
1 : 20



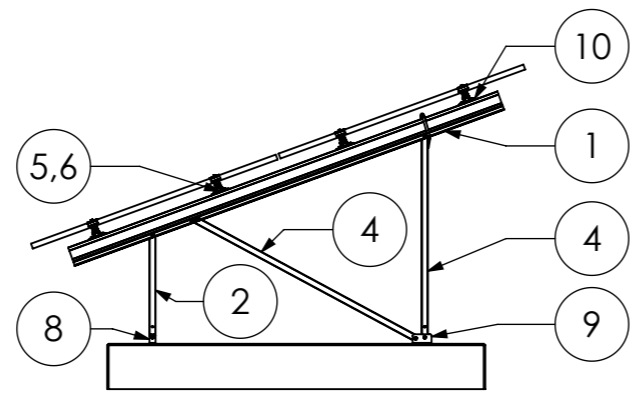
Detail Z  
1 : 50



Isometric  
1 : 100




Pos.No.	Designation
1	Beam N-Rack 3020
2	3-Hole Brace N-Rack 715
3	3-Hole Brace N-Rack 1370
4	2-Hole Brace N-Rack 1696
5	CrossRail 73 - 5m
6	CrossRail 73 - 4,55m
7	CrossRail 73 Connector
8	N-Rack Foot front
9	N-Rack Foot back
10	Climber 36/50 Set
11	EC Clamp Set
12	MC Clamp Set
13	Gripple Bracing
14	Gripple Angle
15	Gripple Lock
16	Heco Multi-Monti 12 x105 - A4
17	Self-tapping screw 5,5 x 25 - A2
18	Hexagon head bolt M10 x 70 ISO 4014 - A2-70
19	Hexagon nut M10 - DIN 985 - A2-70



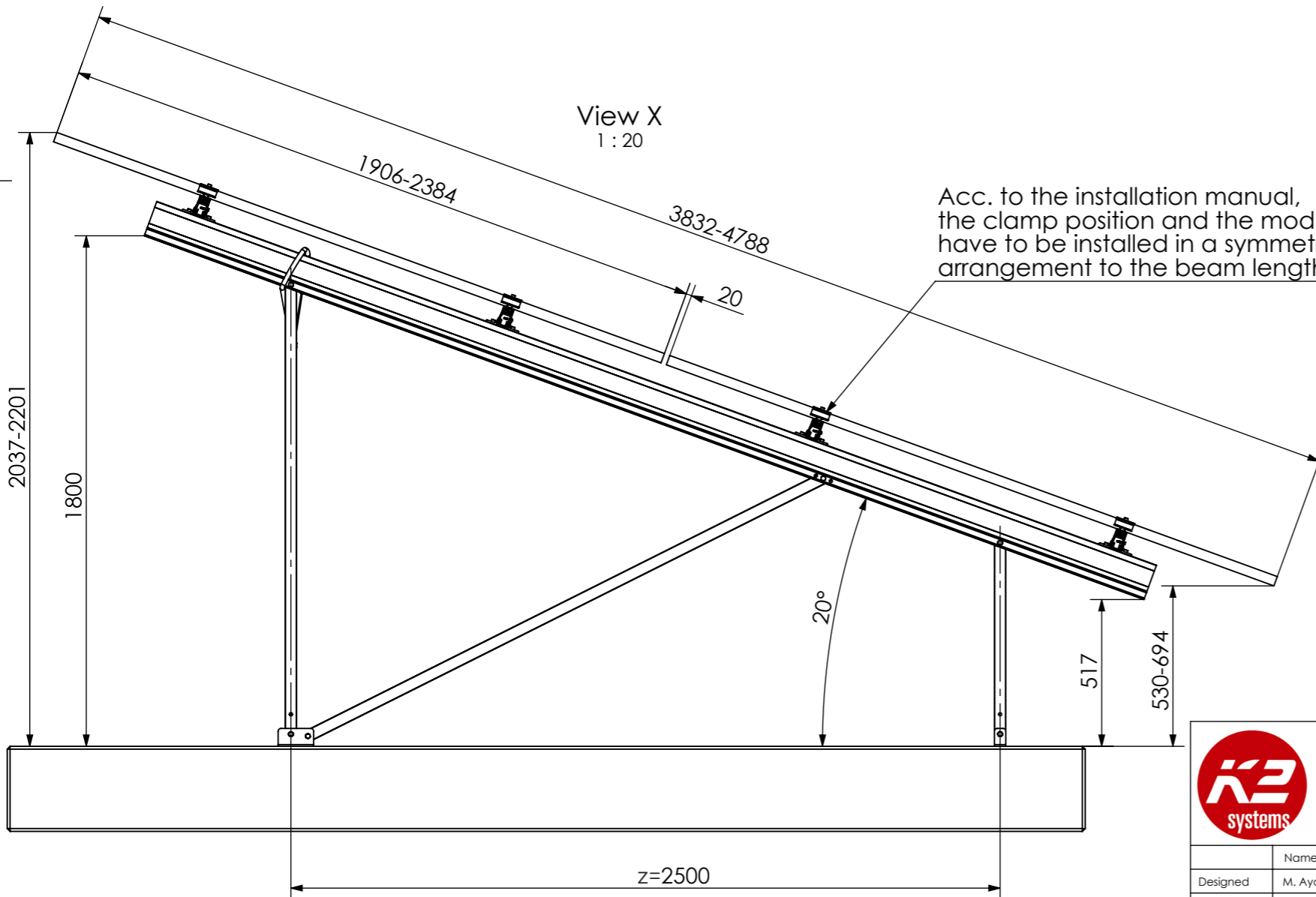
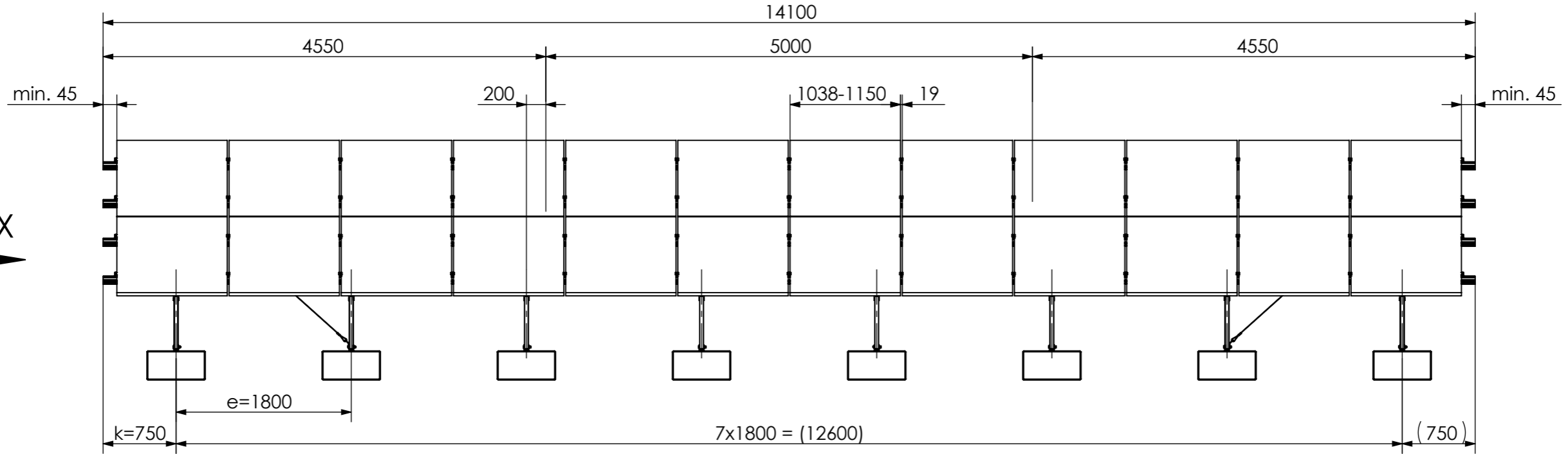
24 modules (2x12 Portrait)  
for module width ≤ 1150mm

20 modules (2x10 Portrait)  
for module width >1150-1303mm

Peak velocity  $q_p[z]$ : 0.67kN/m<sup>2</sup>  
Ground snow load  $S_k$ : 1.75kN/m<sup>2</sup>

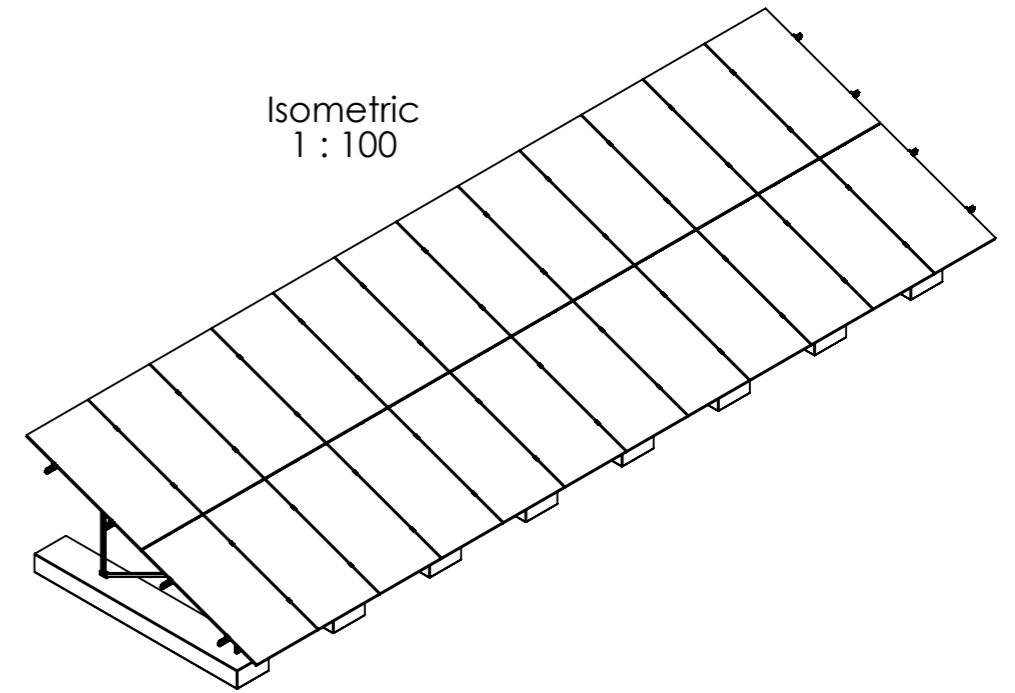
	K2 Systems GmbH Haldenstr. 1 71272 Renningen Germany +49 7159 42059-0			Designation: <b>Data sheet</b> <b>N-Rack 2.20 Concrete 2x12 S</b>											
	<table border="1"> <thead> <tr> <th>Name</th> <th>Date</th> <th>Material:</th> </tr> </thead> <tbody> <tr> <td>Designed B. Koch</td> <td>17.01.2024</td> <td>-</td> </tr> <tr> <td>Approved B. Koch</td> <td>30.06.2025</td> <td>Surface: -</td> </tr> <tr> <td>Last change A. Soumpalas</td> <td>20.03.2026</td> <td>Weight: -</td> </tr> </tbody> </table>	Name	Date	Material:	Designed B. Koch	17.01.2024	-	Approved B. Koch	30.06.2025	Surface: -	Last change A. Soumpalas	20.03.2026	Weight: -	Item no.: -	Drawing no.: -
Name	Date	Material:													
Designed B. Koch	17.01.2024	-													
Approved B. Koch	30.06.2025	Surface: -													
Last change A. Soumpalas	20.03.2026	Weight: -													
This drawing is the sole property of K2 Systems GmbH. It is protected by copyright and may only be copied, reproduced or distributed to a third party with explicit permission!															

**Concrete Kit 2x12 L**



Acc. to the installation manual, the clamp position and the modules have to be installed in a symmetrical arrangement to the beam length.

Isometric  
1 : 100



24 modules (2x12 Portrait)  
for module width ≤ 1150mm

20 modules (2x10 Portrait)  
for module width >1150-1303mm

Peak velocity  $q_p[z]$ : 0.67kN/m<sup>2</sup>  
Ground snow load  $S_k$ : 1.75kN/m<sup>2</sup>

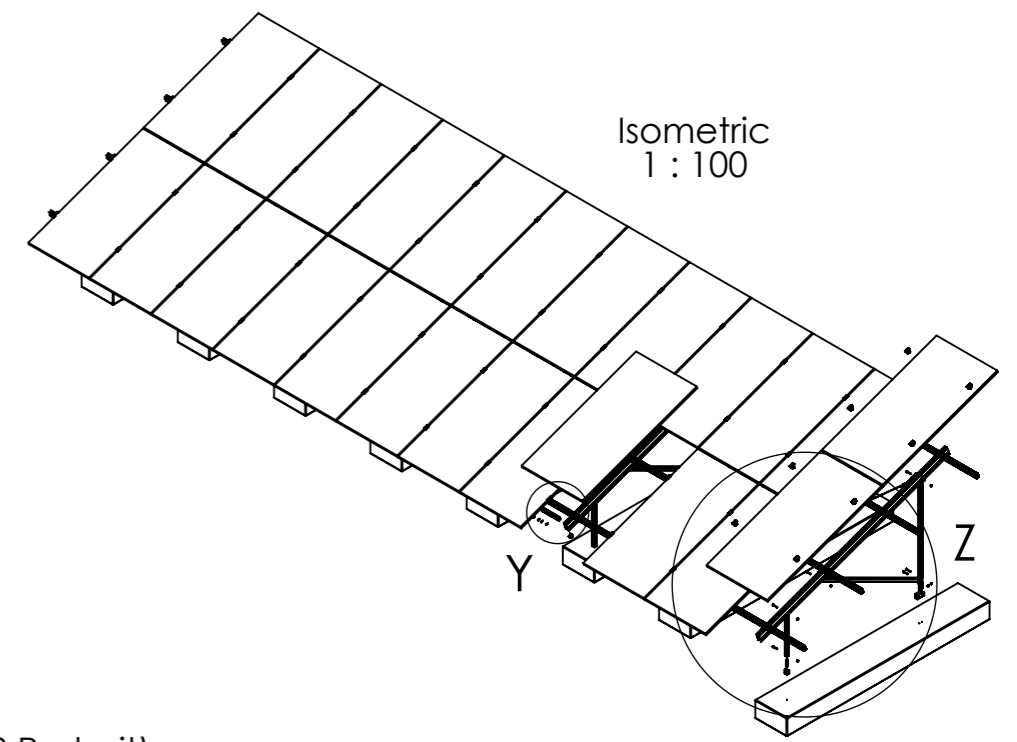
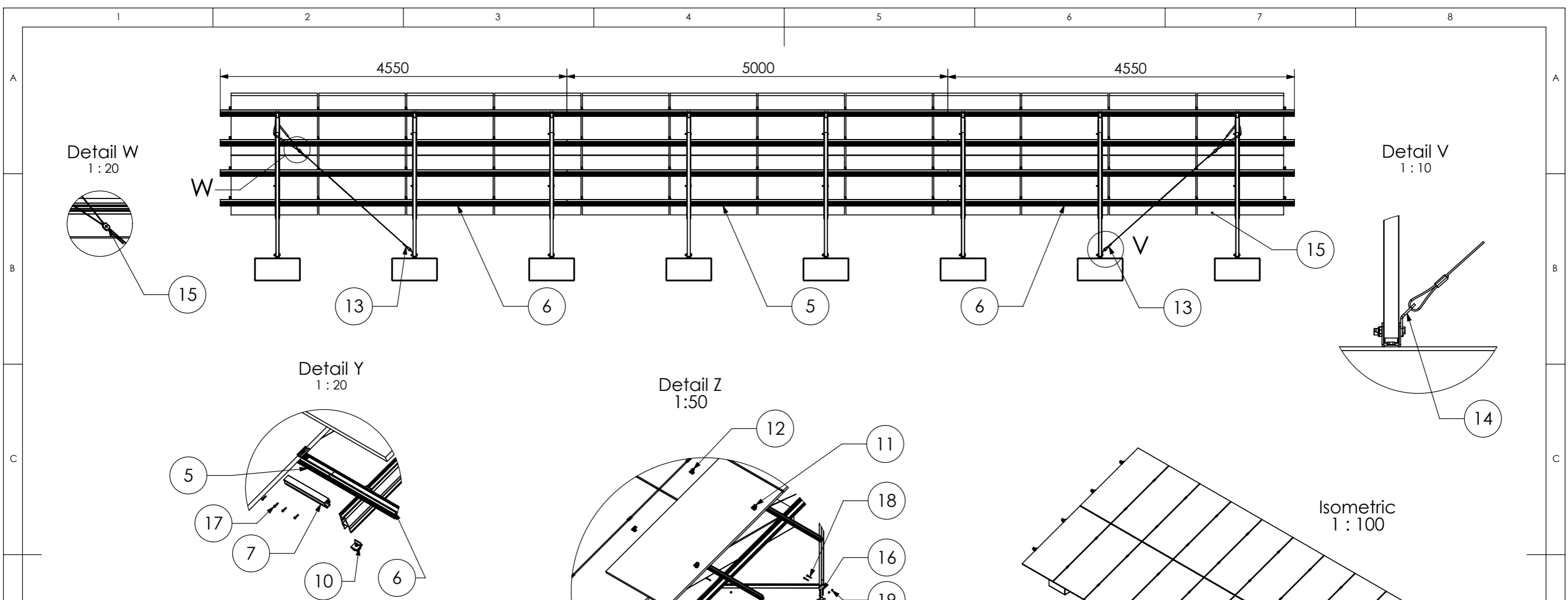


K2 Systems GmbH  
Haldenstr. 1  
71272 Renningen  
Germany  
+49 7159 42059-0

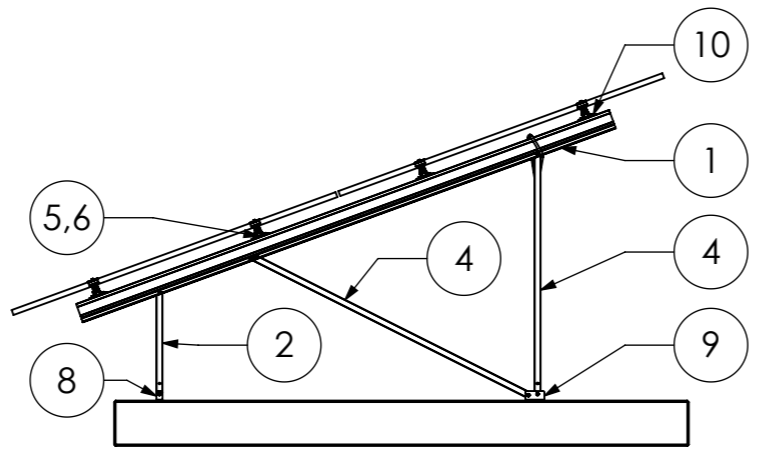
Designation:  
**Data sheet  
N-Rack 2.20 Concrete 2x12 L**

Name	Date	Material:	Item no.:	A3
Designed M. Aydemir	30.01.2024	-	-	All dimensions in mm Sheet 1 of 1
Approved B. Koch	30.06.2025	Surface: -	Drawing no.: -	
Last change A. Soumpalas	20.03.2026	Weight: -	Scale: 1:50	

This drawing is the sole property of K2 Systems GmbH. It is protected by copyright and may only be copied, reproduced or distributed to a third party with explicit permission!




Pos.No.	Designation
1	Beam N-Rack 3750
2	3-Hole Brace N-Rack 715
3	3-Hole Brace N-Rack 1625
4	2-Hole Brace N-Rack 2072
5	CrossRail 73 - 5 m
6	CrossRail 73 - 4,55 m
7	CrossRail 73 Connector
8	N-Rack Foot front
9	N-Rack Foot back
10	Climber 36/50 Set
11	EC Clamp Set
12	MC Clamp Set
13	Gripple Bracing
14	Gripple Angle
15	Gripple Lock
16	Heco Multi-Monti 12 x105 - A4
17	Self-tapping screw 5,5 x 25 - A2
18	Hexagon head bolt M10 x 70 ISO 4014 - A2-70
19	Hexagon nut M10 - DIN 985 - A2-70



24 modules (2x12 Portrait)  
for module width ≤ 1150mm

20 modules (2x10 Portrait)  
for module width >1150-1303mm

Peak velocity  $q_p[z]$ : 0.67kN/m<sup>2</sup>  
Ground snow load  $S_k$ : 1.75kN/m<sup>2</sup>



K2 Systems GmbH  
Haldenstr. 1  
71272 Renningen  
Germany  
+49 7159 42059-0

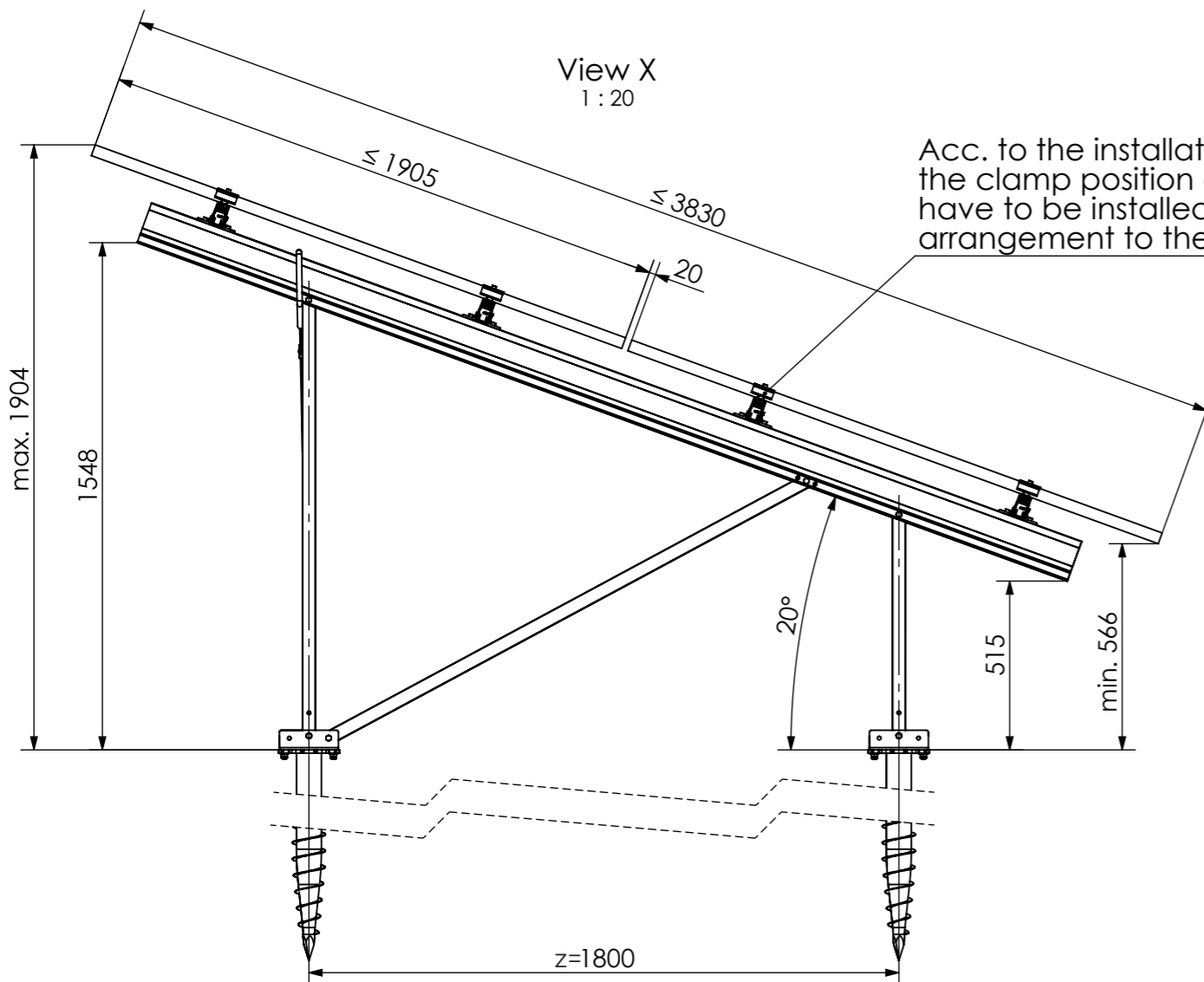
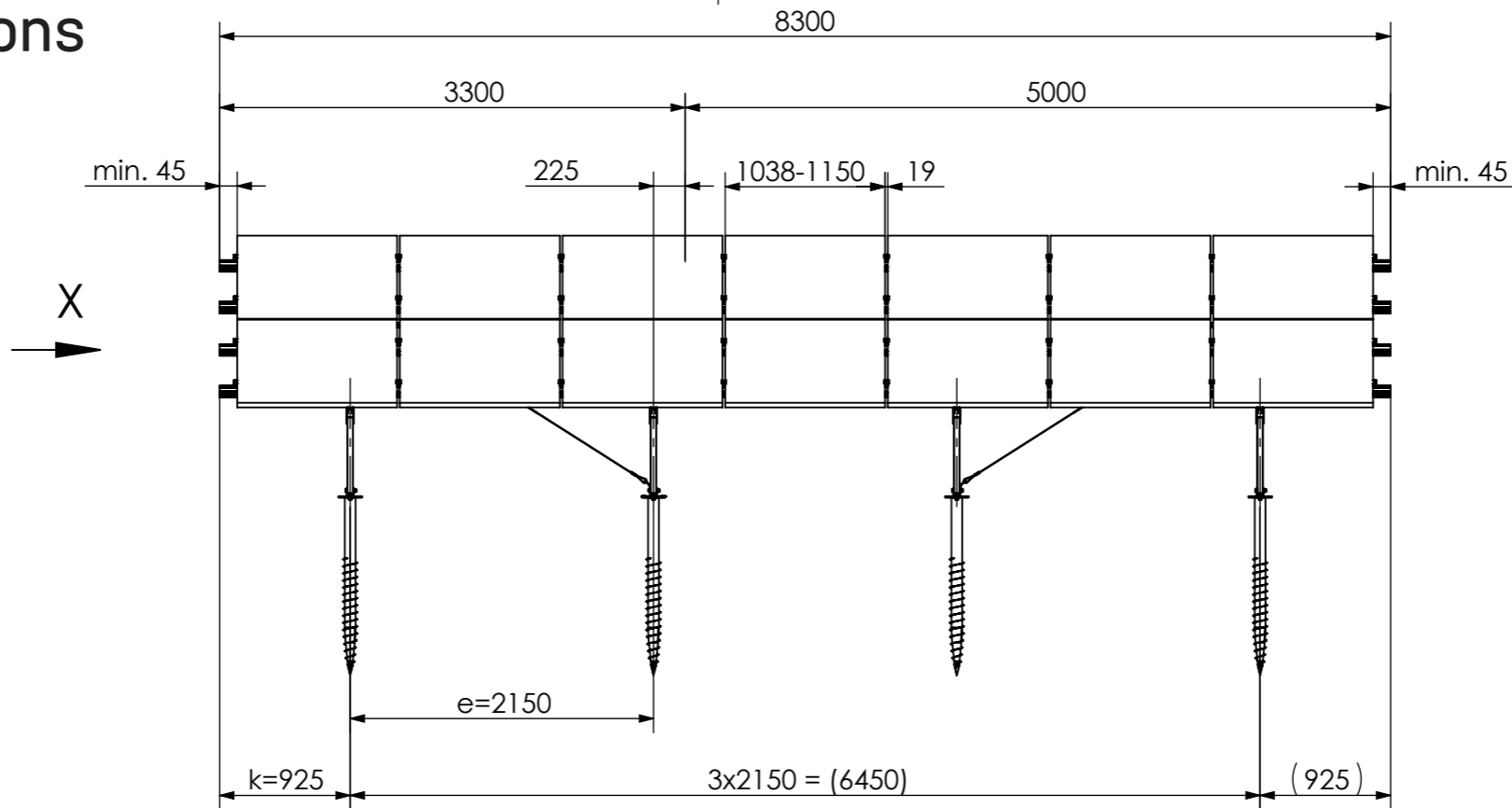
Designation:  
**Data sheet**  
**N-Rack 2.20 Concrete 2x12 L**

	Name	Date	Material:	Item no.:	
Designed	M. Aydemir	30.01.2024	-	-	A3
Approved	B. Koch	30.06.2025	Surface: -	Drawing no.:	All dimensions in mm
Last change	A. Soumpalas	20.03.2026	Weight: -	Scale: 1:50	Sheet 1 of 1

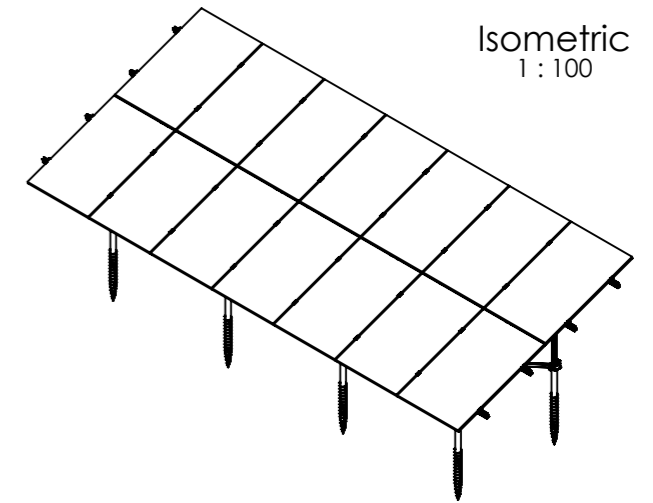
This drawing is the sole property of K2 Systems GmbH. It is protected by copyright and may only be copied, reproduced or distributed to a third party with explicit permission!

# Ground screw foundations

## Groundscrew Kit 2x7 S



Acc. to the installation manual, the clamp position and the modules have to be installed in a symmetrical arrangement to the beam length.



14 modules (2x7 Portrait)  
for module width ≤ 1150 mm

12 modules (2x6 Portrait)  
for module width > 1150-1303 mm

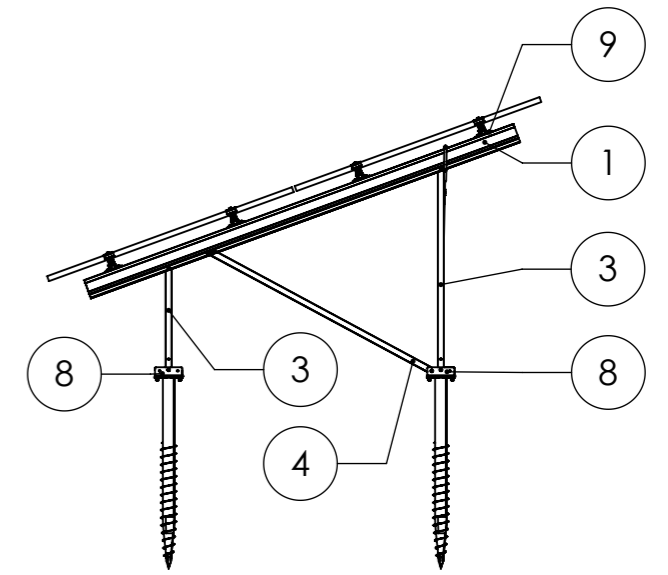
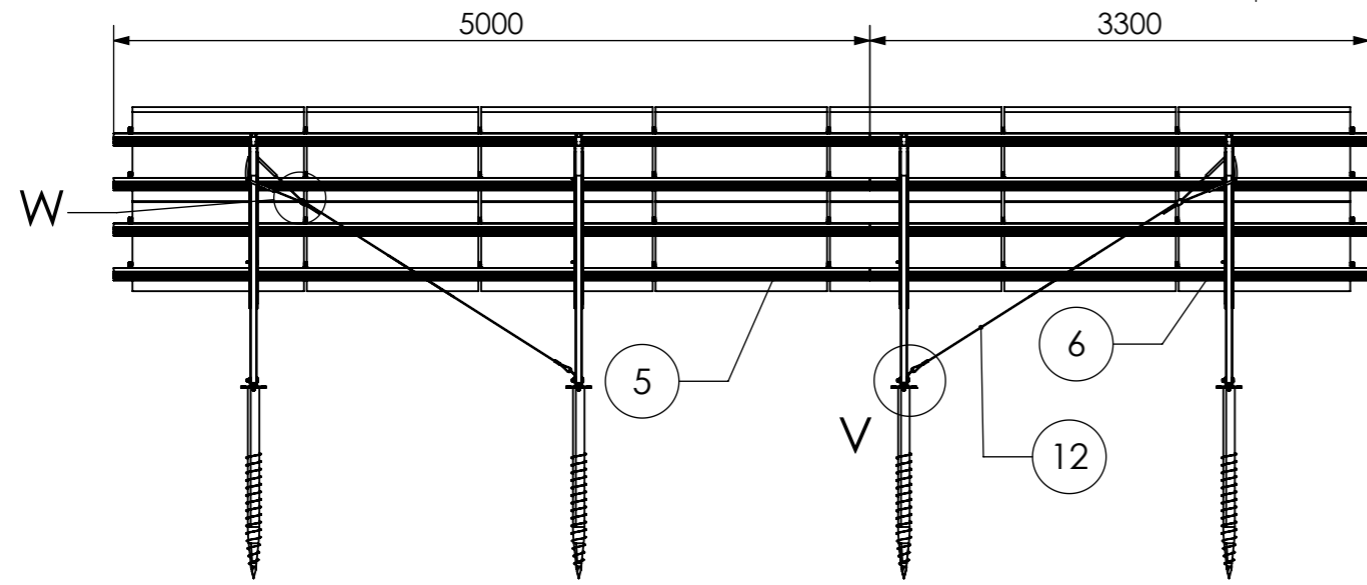
Peak velocity  $q_p[z]$ : 0.67kN/m<sup>2</sup>  
Ground snow load  $S_k$ : 1.75kN/m<sup>2</sup>



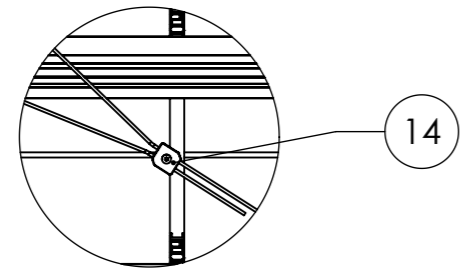
K2 Systems GmbH  
Haldenstr. 1  
71272 Renningen  
Germany  
+49 7159 42059-0

Designation: Data sheet  
N-Rack 2.20 Groundscrew 2x7 S

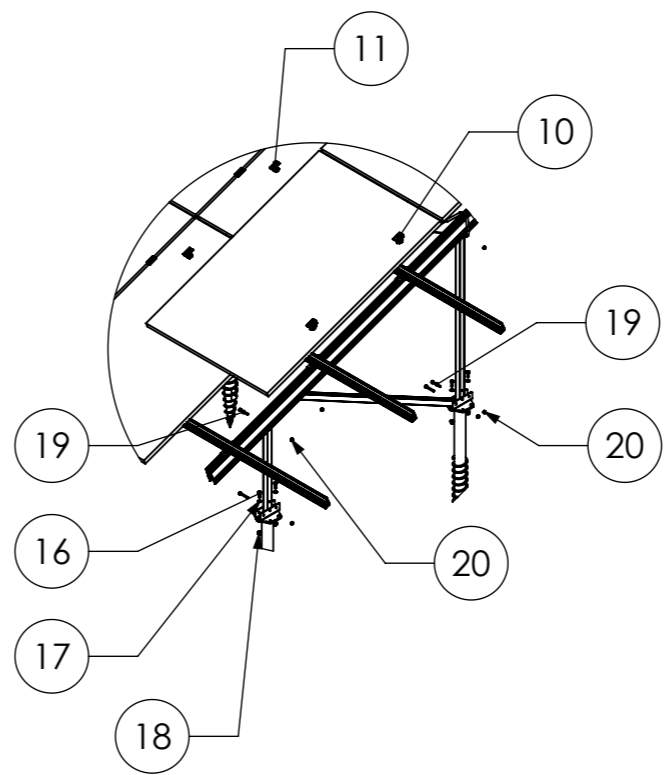
Name	Date	Material:	Item no.:	A3
Designed C. Erb	15.12.2025	-	---	All dimensions in mm Sheet 1 of 1
Approved L. Kreemke	16.03.2026	Surface: -	Drawing no.: --	
Last change		Weight: -	Scale: 1:50	



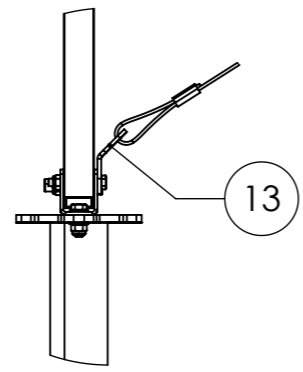
Detail W  
1:10



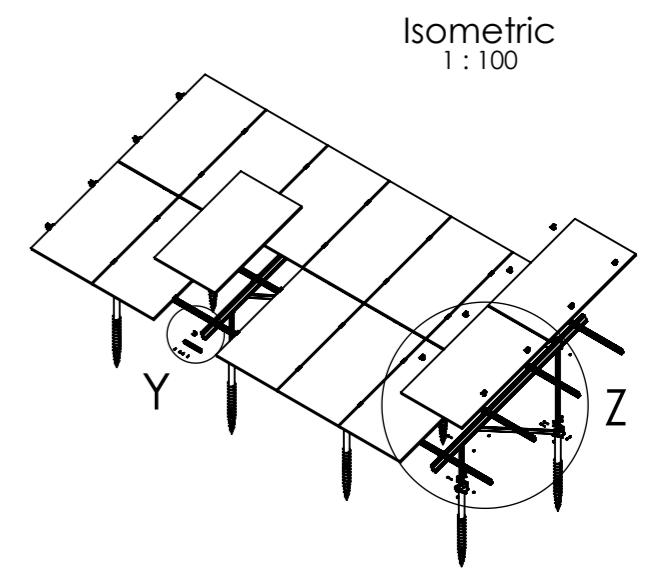
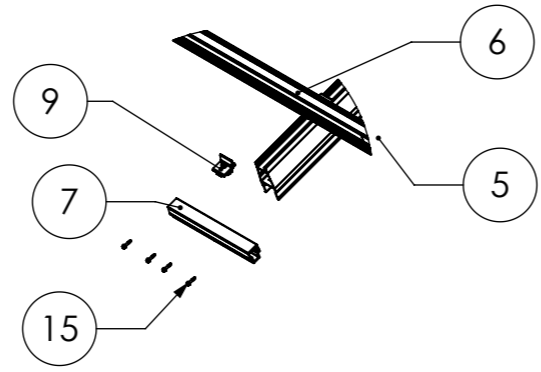
Detail Z  
1:50



Detail V  
1:10



Detail Y  
1:20




14 modules (2x7 Portrait)  
for module width ≤ 1150 mm

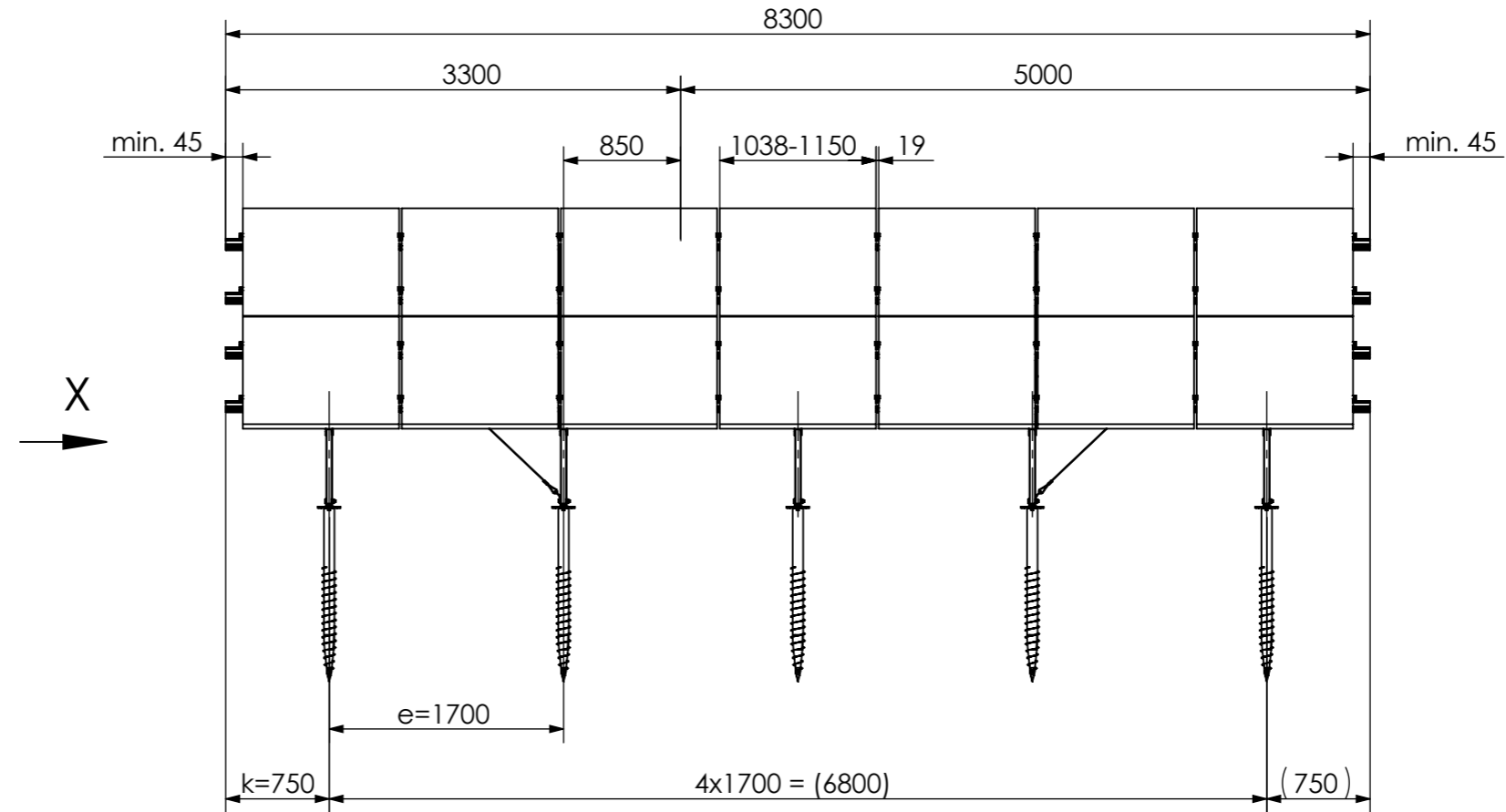
12 modules (2x6 Portrait)  
for module width > 1150-1303 mm

Peak velocity  $q_p[z]$ : 0.67kN/m<sup>2</sup>  
Ground snow load  $S_k$ : 1.75kN/m<sup>2</sup>

Pos.No.	Designation
1	Beam N-Rack 3020
2	3-Hole Brace N-Rack 715
3	3-Hole Brace N-Rack 1370
4	2-Hole Brace N-Rack 1696
5	CrossRail 73 - 5 m
6	CrossRail 73 - 3,3 m
7	CrossRail 73 Connector
8	N-Rack GS Foot
9	Climber 36/50 Set
10	EC Clamp Set
11	MC Clamp Set
12	Gripple Bracing
13	Gripple Angle
14	Gripple Lock
15	Self-tapping screw 5,5 x 25 - A2
16	Hexagon head bolt - ISO 4017 - M8x35 - A2-70
17	Plain washer - ISO 7089 - 12 - A2-50
18	Hexagon nut with flange and clamping part - EN 1663 - M12 - A2-70
19	Hexagon head bolt - ISO 4014 - M10x70-A2-70
20	Hexagon nut with clamping piece - ISO 10511 - M10 - A2-70

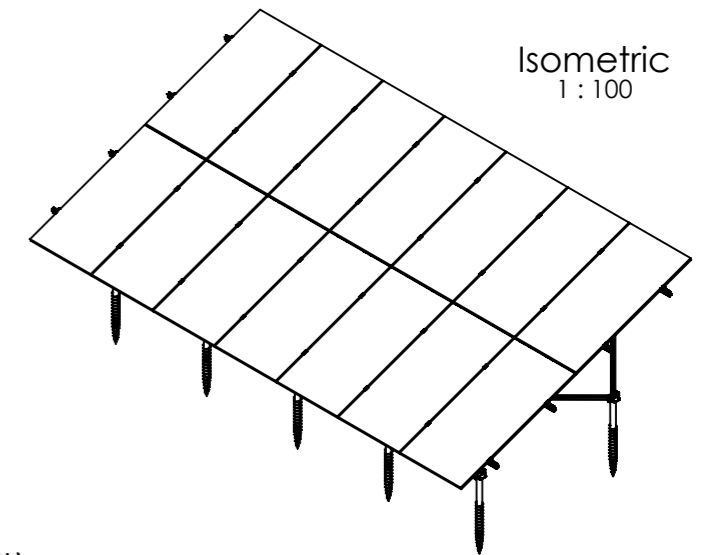
	K2 Systems GmbH Haldenstr. 1 71272 Renningen Germany +49 7159 42059-0		Designation: <b>Data sheet</b> <b>N-Rack 2.20 Groundscrew 2x7 S</b>															
	<table border="1"> <tr><td>Name</td><td>Date</td><td>Material:</td></tr> <tr><td>Designed</td><td>C. Erb</td><td>15.12.2025</td><td>-</td></tr> <tr><td>Approved</td><td>L. Kreemke</td><td>16.03.2026</td><td>Surface: -</td></tr> <tr><td>Last change</td><td></td><td>Weight: -</td><td>Scale: 1:50</td></tr> </table>	Name	Date	Material:	Designed	C. Erb	15.12.2025	-	Approved	L. Kreemke	16.03.2026	Surface: -	Last change		Weight: -	Scale: 1:50	Item no.: --- Drawing no.: ---	
Name	Date	Material:																
Designed	C. Erb	15.12.2025	-															
Approved	L. Kreemke	16.03.2026	Surface: -															
Last change		Weight: -	Scale: 1:50															
This drawing is the sole property of K2 Systems GmbH. It is protected by copyright and may only be copied, reproduced or distributed to a third party with explicit permission!																		

# Groundscrew Kit 2x7 L



View X  
1:20

Acc. to the installation manual, the clamp position and the modules have to be installed in a symmetrical arrangement to the beam length.



Isometric  
1:100

14 modules (2x7 Portrait)  
for module width ≤ 1150 mm

12 modules (2x6 Portrait)  
for module width >1150-1303 mm

Peak velocity  $q_p[z]$ : 0.67kN/m<sup>2</sup>  
Ground snow load  $S_k$ : 1.75kN/m<sup>2</sup>

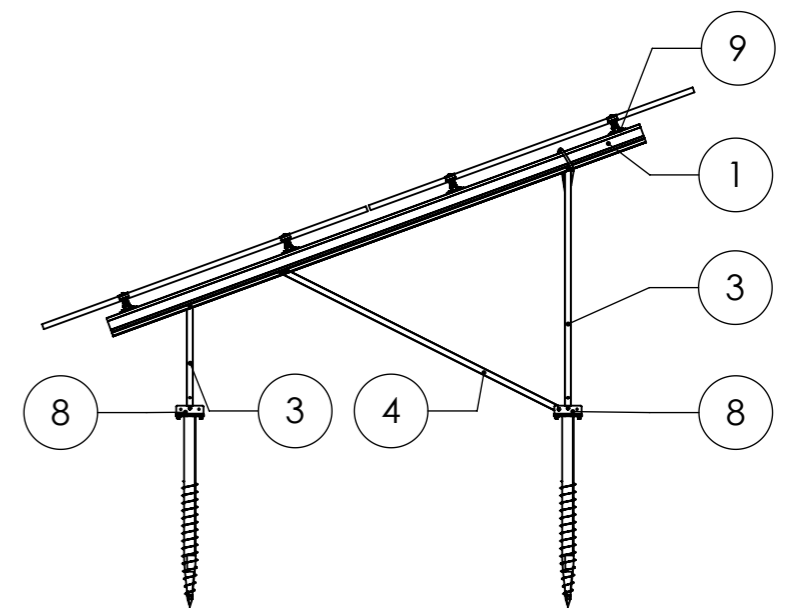
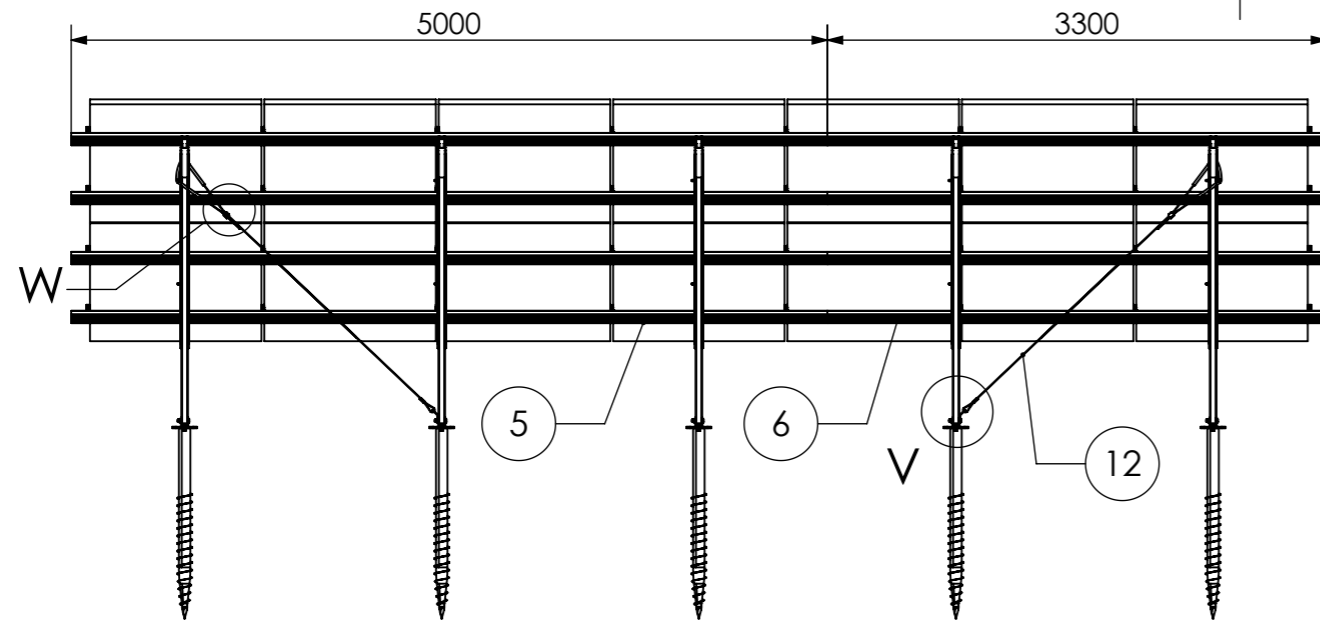


K2 Systems GmbH  
Haldenstr. 1  
71272 Renningen  
Germany  
+49 7159 42059-0

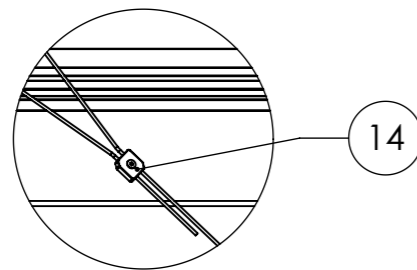
Designation: Data sheet  
N-Rack 2.20 Groundscrew 2x7 L

Name	Date	Material:	Item no.:	A3
Designed C. Erb	12.12.2025	-	---	All dimensions in mm Sheet 1 of 1
Approved L. Kreemke	16.03.2026	Surface: -	Drawing no.: --	
Last change		Weight: -	Scale: 1:50	

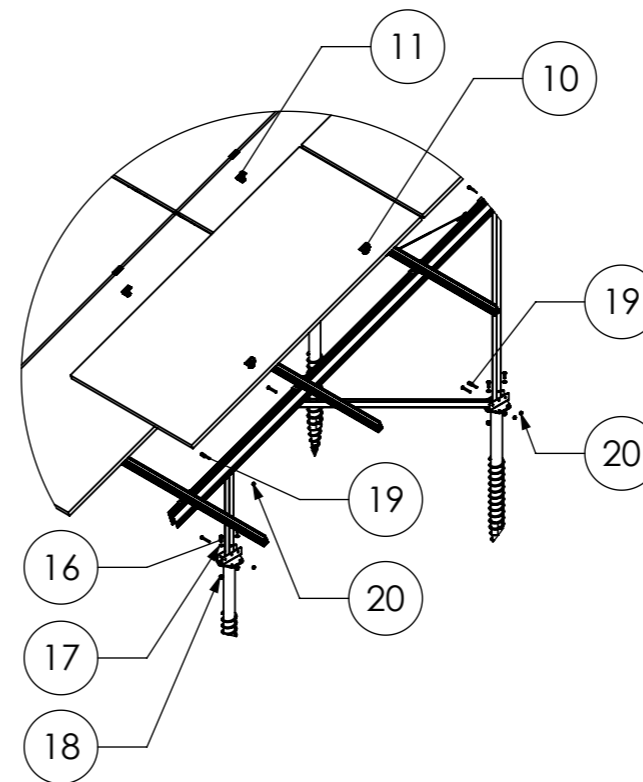
This drawing is the sole property of K2 Systems GmbH. It is protected by copyright and may only be copied, reproduced or distributed to a third party with explicit permission!



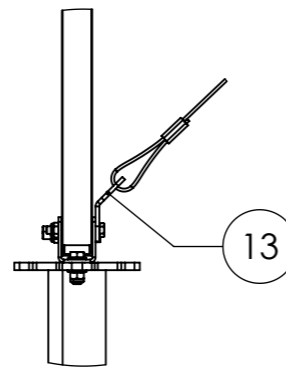
Detail W  
1:10



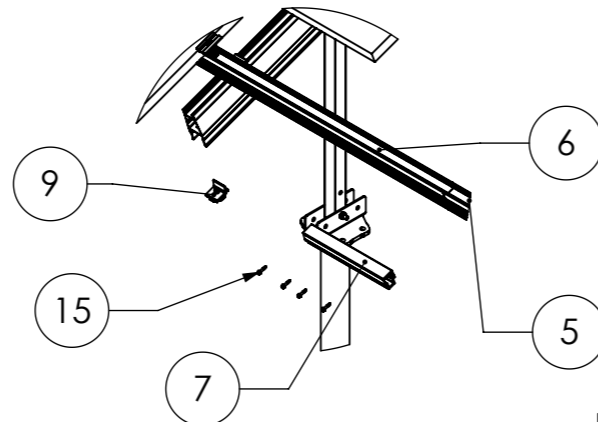
Detail Z  
1:50



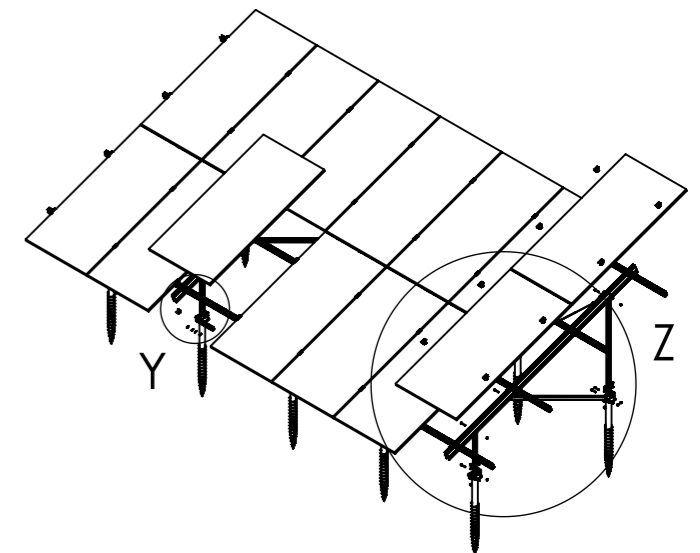
Detail V  
1:10



Detail Y  
1:20



Isometric  
1:100




Pos.No.	Designation
1	Beam N-Rack 3750
2	3-Hole Brace N-Rack 715
3	3-Hole Brace N-Rack 1625
4	2-Hole Brace N-Rack 2072
5	CrossRail 73 - 5 m
6	CrossRail 73 - 3,3 m
7	CrossRail 73 Connector
8	N-Rack GS Foot
9	Climber 36/50 Set
10	EC Clamp Set
11	MC Clamp Set
12	Gripple Bracing
13	Gripple Angle
14	Gripple Lock
15	Self-tapping screw 5,5 x 25 - A2
16	Hexagon head bolt - ISO 4017 - M8x35 - A2-70
17	Plain washer - ISO 7089 - 12 - A2-50
18	Hexagon nut with flange and clamping part - EN 1663 - M12 - A2-70
19	Hexagon head bolt - ISO 4014 - M10x70- A2-70
20	Hexagon nut with clamping piece - ISO 10511 - M10 - A2-70

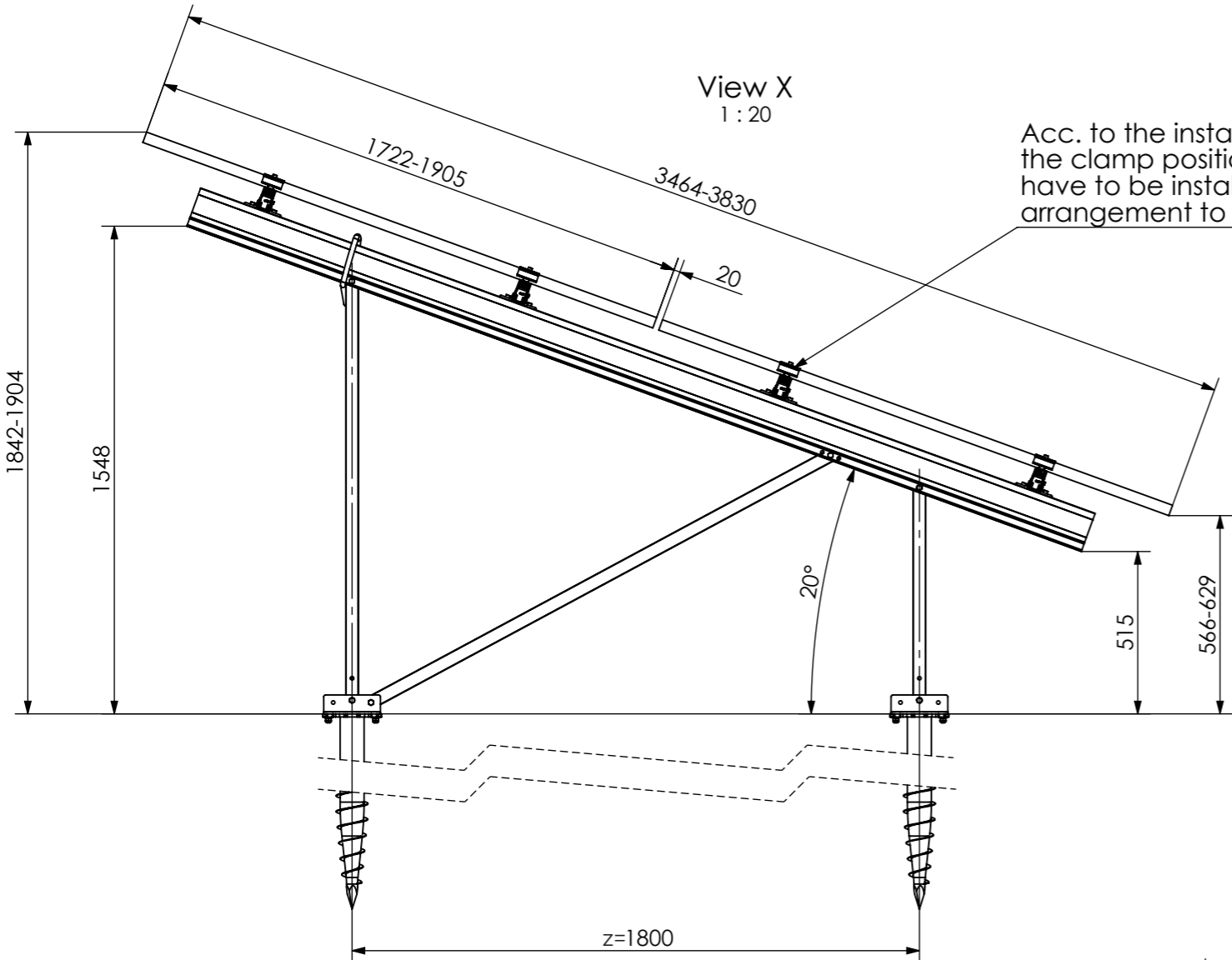
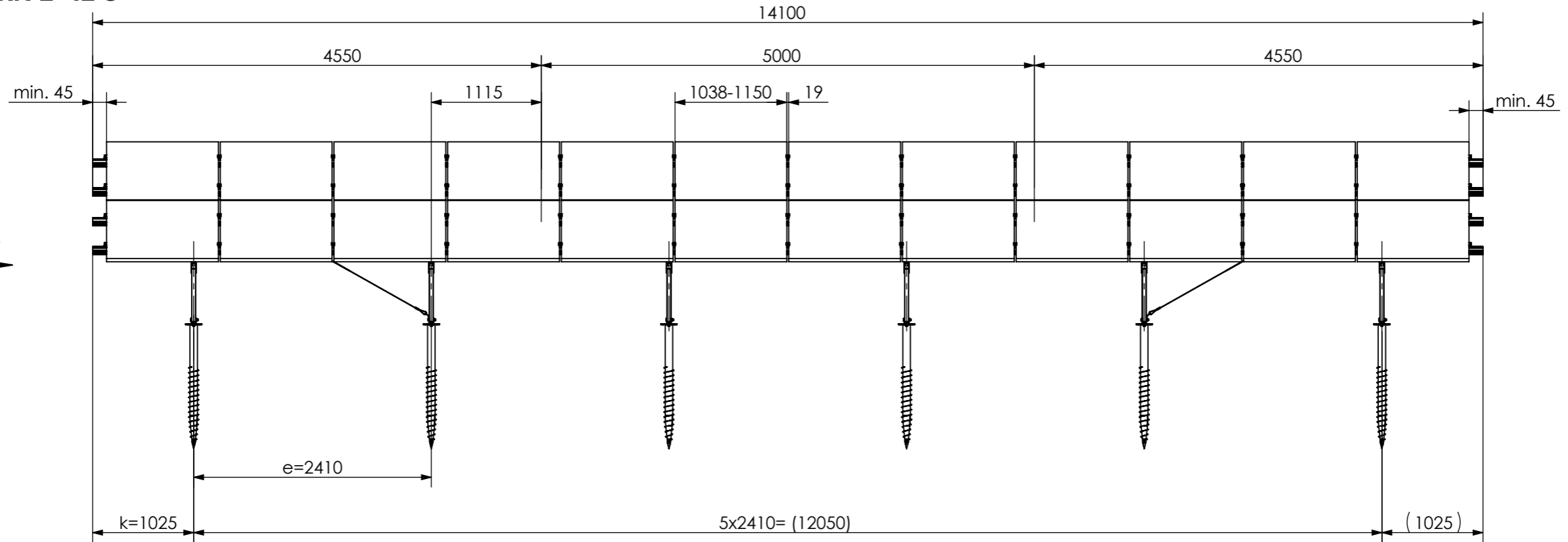
14 modules (2x7 Portrait)  
for module width ≤ 1150 mm

12 modules (2x6 Portrait)  
for module width >1150-1303 mm

Peak velocity  $q_p[z]$ : 0.67kN/m<sup>2</sup>  
Ground snow load  $S_k$ : 1.75kN/m<sup>2</sup>

	K2 Systems GmbH Haldenstr. 1 71272 Renningen Germany +49 7159 42059-0			Designation: <b>Data sheet</b> <b>N-Rack 2.20 Groundscrew 2x7 L</b>																									
	<table border="1"> <tr><td>Name</td><td>C. Erb</td><td>Date</td><td>12.12.2025</td><td>Material:</td><td>-</td></tr> <tr><td>Designed</td><td></td><td></td><td></td><td>Surface:</td><td>-</td></tr> <tr><td>Approved</td><td>L. Kreemke</td><td>16.03.2026</td><td></td><td>Weight:</td><td>-</td></tr> <tr><td>Last change</td><td></td><td></td><td></td><td>Scale:</td><td>1:50</td></tr> </table>	Name	C. Erb	Date	12.12.2025	Material:	-	Designed				Surface:	-	Approved	L. Kreemke	16.03.2026		Weight:	-	Last change				Scale:	1:50	Item no.: ---		Drawing no.: ---	
Name	C. Erb	Date	12.12.2025	Material:	-																								
Designed				Surface:	-																								
Approved	L. Kreemke	16.03.2026		Weight:	-																								
Last change				Scale:	1:50																								
This drawing is the sole property of K2 Systems GmbH. It is protected by copyright and may only be copied, reproduced or distributed to a third party with explicit permission!																													

# Groundscrew Kit 2x12 S




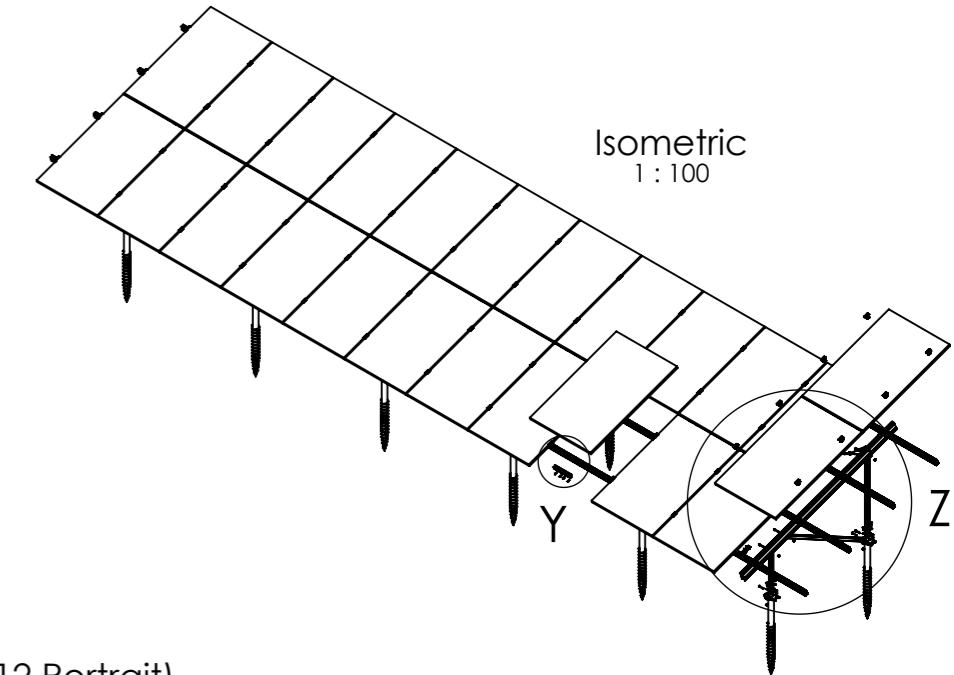
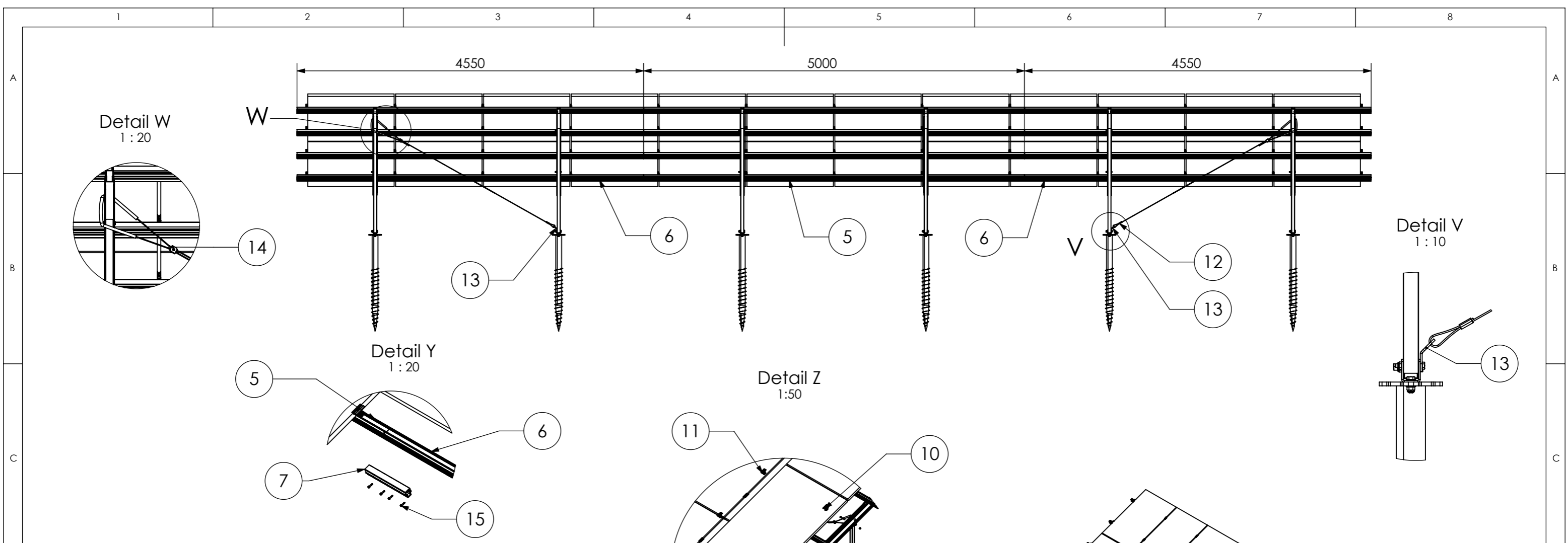
Acc. to the installation manual, the clamp position and the modules have to be installed in a symmetrical arrangement to the beam length.

24 modules (2x12 Portrait)  
for module width  $\leq 1150$  mm

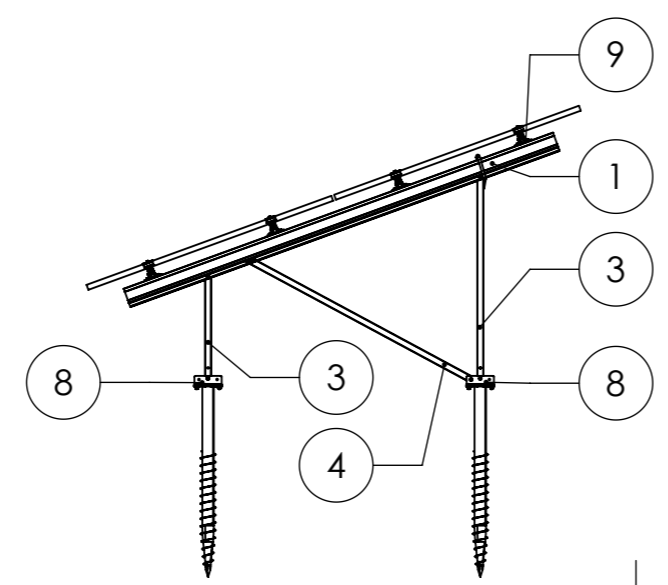
20 modules (2x10 Portrait)  
for module width  $> 1150-1303$  mm

Peak velocity  $q_p[z]: 0.67 \text{ kN/m}^2$   
Ground snow load  $S_k: 1.75 \text{ kN/m}^2$

	K2 Systems GmbH Haldenstr. 1 71272 Renningen Germany +49 7159 42059-0			Designation: <b>Data sheet</b> <b>N-Rack 2.20 Groundscrew</b> <b>2x12 S</b>	
	Name S. Frey	Date 11.08.2025	Material: -	Item no.: -	A3
Designed S. Frey	Date 11.08.2025	Surface: -	Drawing no.: -	All dimensions in mm	
Approved B. Koch	Date 01.10.2025	Weight: -	Scale: 1:50	Sheet 1 of 1	
Last change A. Soumpalas	Date 20.03.2026	This drawing is the sole property of K2 Systems GmbH. It is protected by copyright and may only be copied, reproduced or distributed to a third party with explicit permission!			




Pos.No.	Designation
1	Beam N-Rack 3020
2	3-Hole Brace N-Rack 715
3	3-Hole Brace N-Rack 1370
4	2-Hole Brace N-Rack 1696
5	CrossRail 73 - 5 m
6	CrossRail 73 - 4,55 m
7	CrossRail 73 Connector
8	N-Rack GS Foot
9	Climber 36/50 Set
10	EC Clamp Set
11	MC Clamp Set
12	Gripple Bracing
13	Gripple Angle
14	Gripple Lock
15	Self-tapping screw 5,5 x 25 - A2
16	Hexagon head bolt - ISO 4017 - M8x35 - A2-70
17	Plain washer - ISO 7089 - 12 - A2-50
18	Hexagon nut with flange and clamping part - EN 1663 - M12 - A2-70
19	Hexagon head bolt - ISO 4014 - M10x70-A2-70
20	Hexagon nut with clamping piece - ISO 10511 - M10 - A2-70



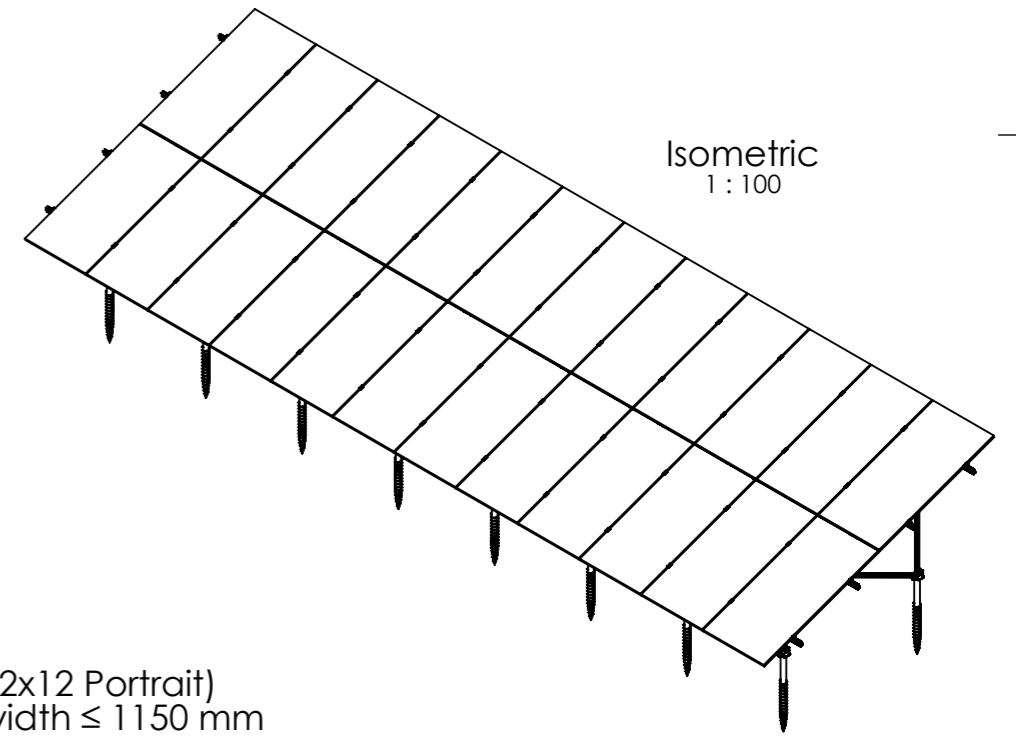
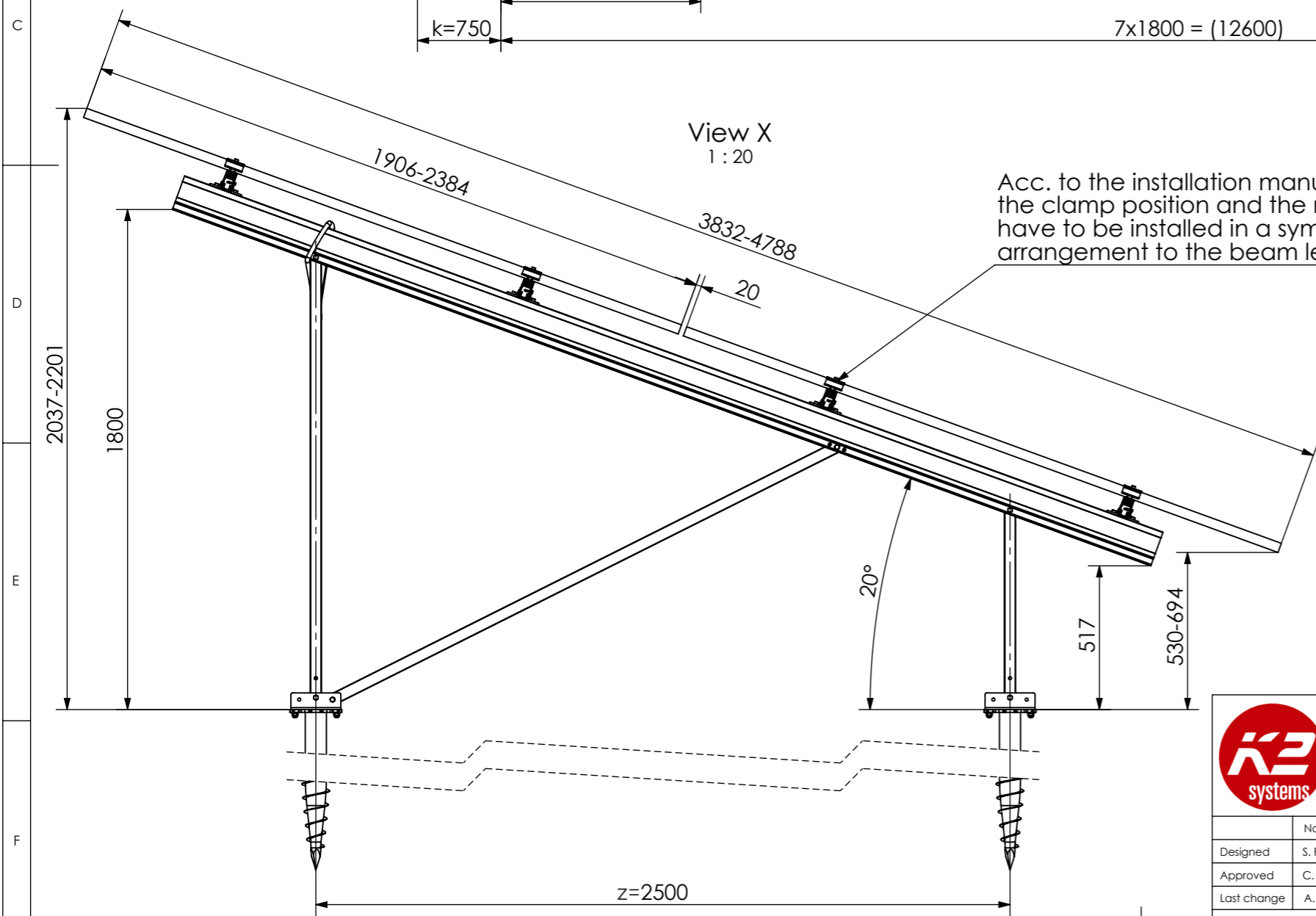
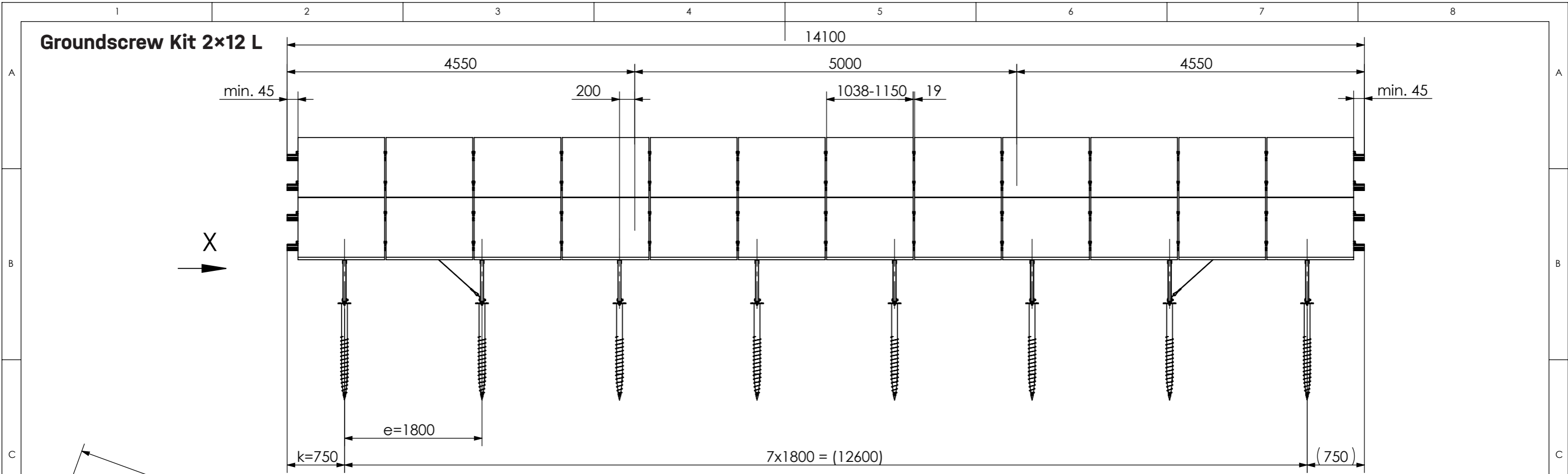
24 modules (2x12 Portrait)  
for module width ≤ 1150 mm

20 modules (2x10 Portrait)  
for module width >1150-1303 mm

Peak velocity  $q_p[z]$ : 0.67kN/m<sup>2</sup>  
Ground snow load  $S_k$ : 1.75kN/m<sup>2</sup>

	K2 Systems GmbH Haldenstr. 1 71272 Renningen Germany +49 7159 42059-0			Designation: <b>Data sheet</b> <b>N-Rack 2.20 Groundscrew</b> <b>2x12 S</b>																																	
	<table border="1"> <thead> <tr> <th>Name</th> <th>Date</th> <th>Material:</th> </tr> </thead> <tbody> <tr> <td>Designed S. Frey</td> <td>11.08.2025</td> <td>-</td> </tr> <tr> <td>Approved B. Koch</td> <td>01.10.2025</td> <td>Surface: -</td> </tr> <tr> <td>Last change A. Soumpalas</td> <td>20.03.2026</td> <td>Weight: -</td> </tr> </tbody> </table>	Name	Date	Material:	Designed S. Frey	11.08.2025	-	Approved B. Koch	01.10.2025	Surface: -	Last change A. Soumpalas	20.03.2026	Weight: -	<table border="1"> <thead> <tr> <th>Item no.:</th> <th>Scale:</th> </tr> </thead> <tbody> <tr> <td>-</td> <td>1:50</td> </tr> </tbody> </table>	Item no.:	Scale:	-	1:50	<table border="1"> <thead> <tr> <th>Item no.:</th> <th>Sheet</th> </tr> </thead> <tbody> <tr> <td>-</td> <td>1 of 1</td> </tr> </tbody> </table>	Item no.:	Sheet	-	1 of 1	<table border="1"> <thead> <tr> <th>Item no.:</th> <th>Sheet</th> </tr> </thead> <tbody> <tr> <td>-</td> <td>1 of 1</td> </tr> </tbody> </table>	Item no.:	Sheet	-	1 of 1	<table border="1"> <thead> <tr> <th>Item no.:</th> <th>Sheet</th> </tr> </thead> <tbody> <tr> <td>-</td> <td>1 of 1</td> </tr> </tbody> </table>	Item no.:	Sheet	-	1 of 1	<table border="1"> <thead> <tr> <th>Item no.:</th> <th>Sheet</th> </tr> </thead> <tbody> <tr> <td>-</td> <td>1 of 1</td> </tr> </tbody> </table>	Item no.:	Sheet	-
Name	Date	Material:																																			
Designed S. Frey	11.08.2025	-																																			
Approved B. Koch	01.10.2025	Surface: -																																			
Last change A. Soumpalas	20.03.2026	Weight: -																																			
Item no.:	Scale:																																				
-	1:50																																				
Item no.:	Sheet																																				
-	1 of 1																																				
Item no.:	Sheet																																				
-	1 of 1																																				
Item no.:	Sheet																																				
-	1 of 1																																				
Item no.:	Sheet																																				
-	1 of 1																																				
This drawing is the sole property of K2 Systems GmbH. It is protected by copyright and may only be copied, reproduced or distributed to a third party with explicit permission!																																					

**Groundscrew Kit 2x12 L**



24 modules (2x12 Portrait)  
for module width ≤ 1150 mm

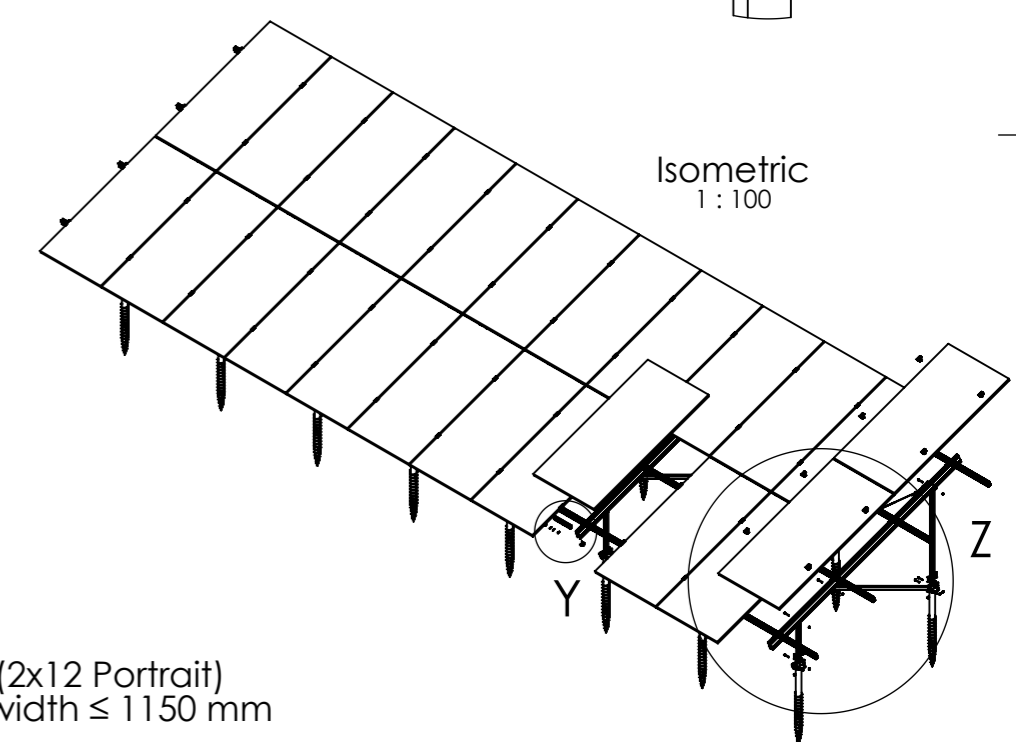
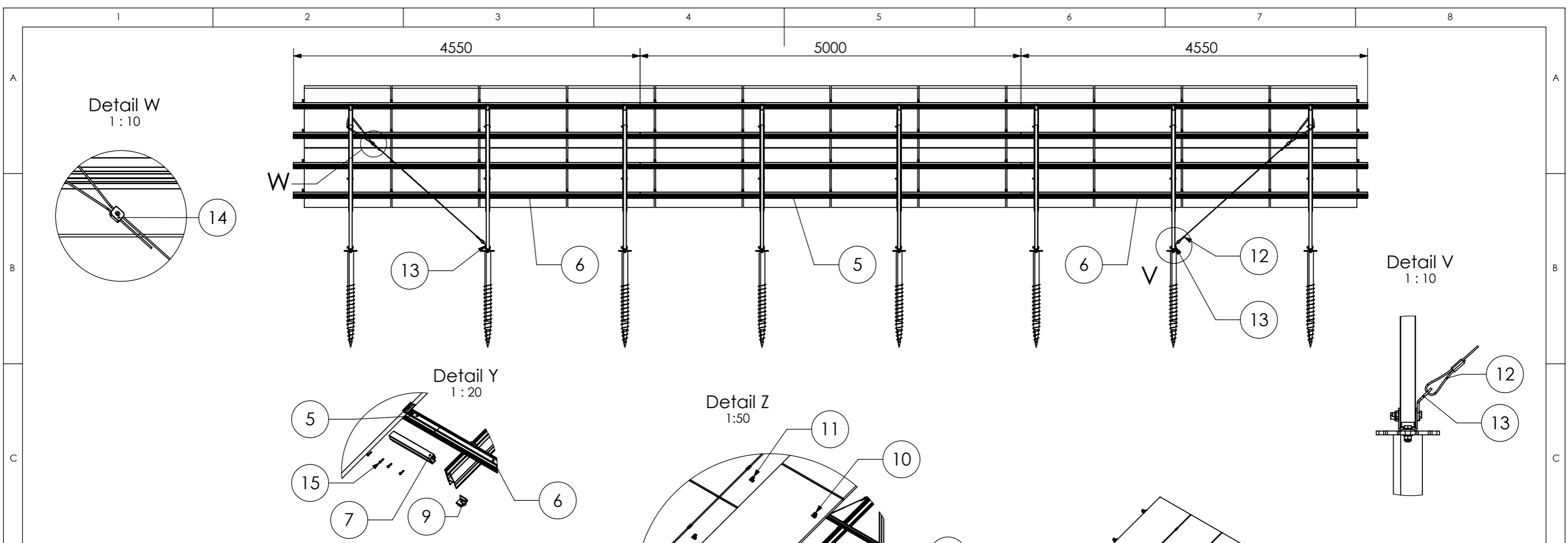
20 modules (2x10 Portrait)  
for module width > 1150-1303 mm

Peak velocity  $q_p[z]$ : 0.67kN/m<sup>2</sup>  
Ground snow load  $S_k$ : 1.75kN/m<sup>2</sup>

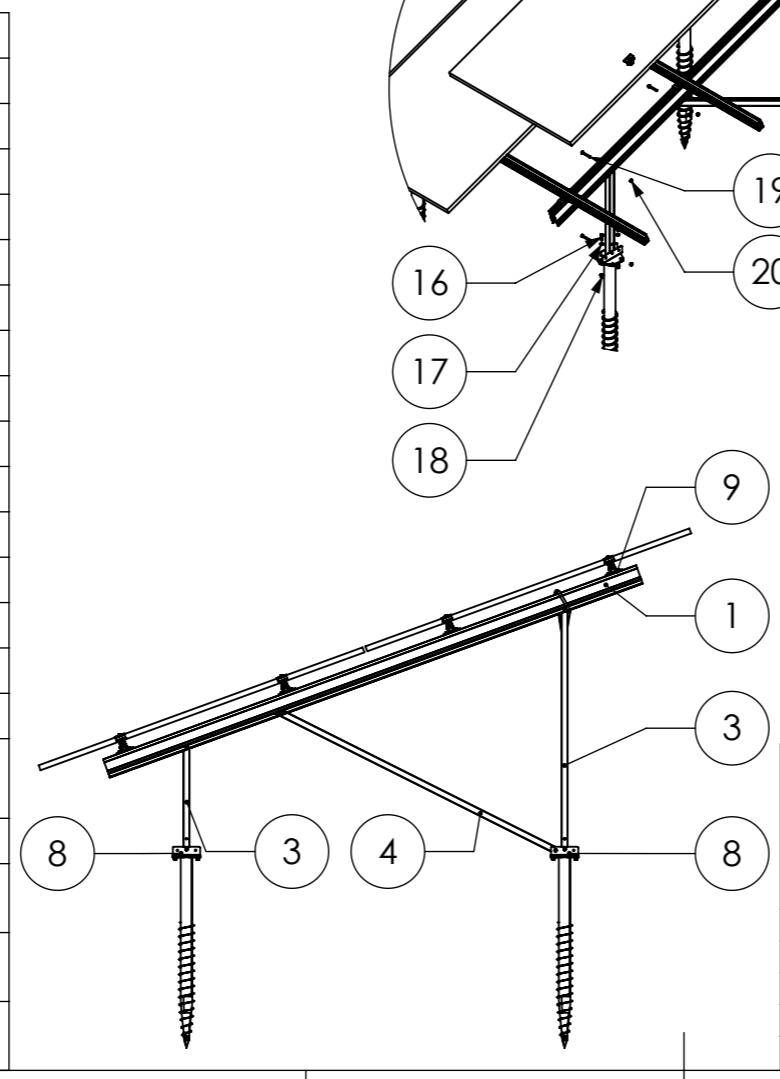
	K2 Systems GmbH Haldenstr. 1 71272 Renningen Germany +49 7159 42059-0			Designation: <b>Data sheet N-Rack 2.20 Groundscrew 2x12 L</b>	
	Name	Date	Material:	Item no.:	-
	Designed	S. Frey	07.08.2025	Surface: -	-
	Approved	C. Erb	17.03.2026	Weight: -	-
Last change	A. Soumpalas	20.03.2026	Scale: 1:50	All dimensions in mm	

Item no.:		-	<b>A3</b>
Drawing no.:		-	
Sheet 1 of 1			

This drawing is the sole property of K2 Systems GmbH. It is protected by copyright and may only be copied, reproduced or distributed to a third party with explicit permission!



Pos.No.	Designation
1	Beam N-Rack 3750
2	3-Hole Brace N-Rack 715
3	3-Hole Brace N-Rack 1625
4	2-Hole Brace N-Rack 2072
5	CrossRail 73 - 5 m
6	CrossRail 73 - 4,55 m
7	CrossRail 73 Connector
8	N-Rack GS Foot
9	Climber 36/50 Set
10	EC Clamp Set
11	MC Clamp Set
12	Gripple Bracing
13	Gripple Angle
14	Gripple Lock
15	Self-tapping screw 5,5 x 25 - A2
16	Hexagon head bolt - ISO 4017 - M8x35 - A2-70
17	Plain washer - ISO 7089 - 12 - A2-50
18	Hexagon nut with flange and clamping part - EN 1663 - M12 - A2-70
19	Hexagon head bolt - ISO 4014 - M10x70-A2-70
20	Hexagon nut with clamping piece - ISO 10511 - M10 - A2-70



24 modules (2x12 Portrait)  
for module width ≤ 1150 mm

20 modules (2x10 Portrait)  
for module width >1150-1303 mm

Peak velocity  $q_p[z]$ : 0.67kN/m<sup>2</sup>  
Ground snow load  $S_k$ : 1.75kN/m<sup>2</sup>



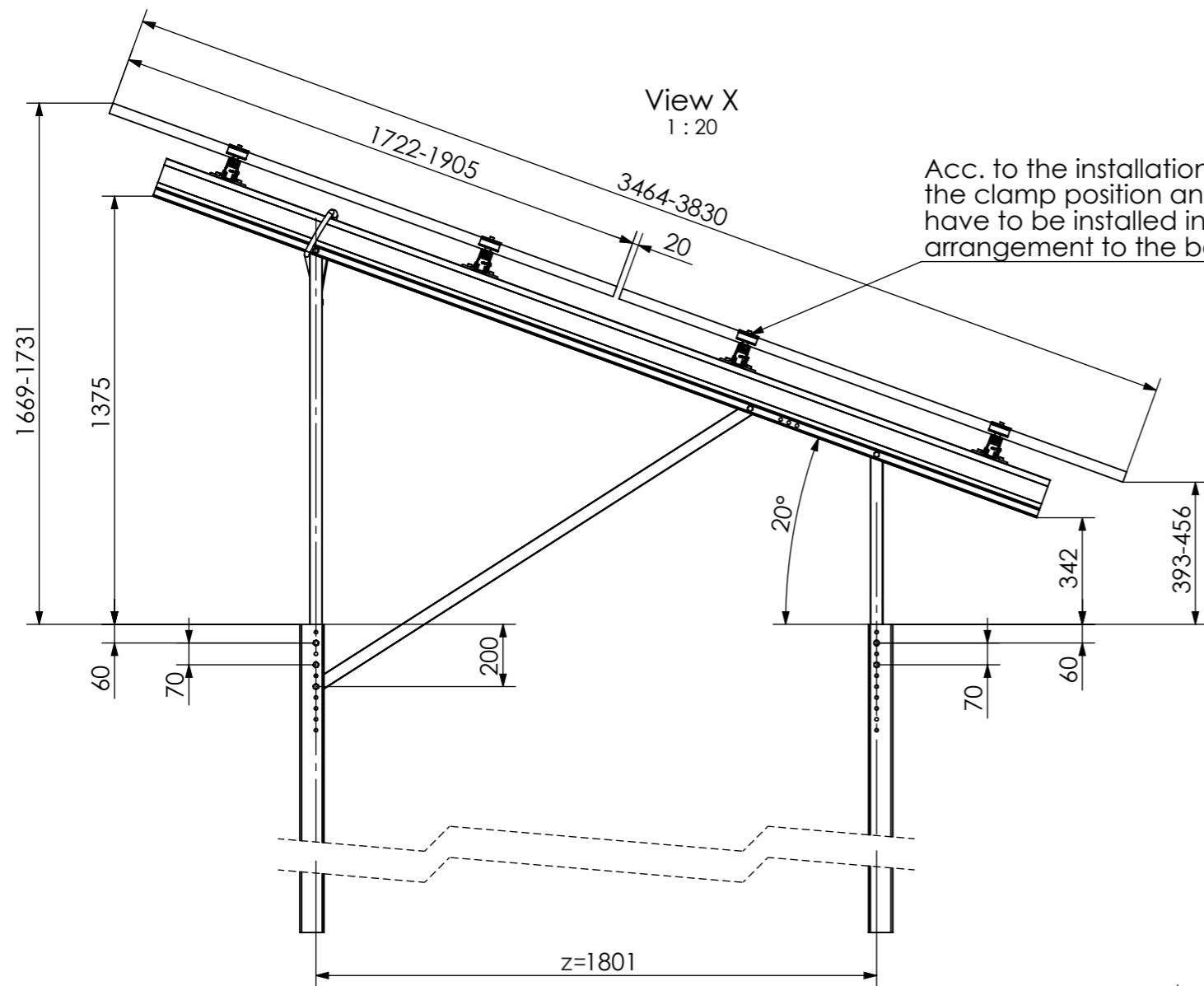
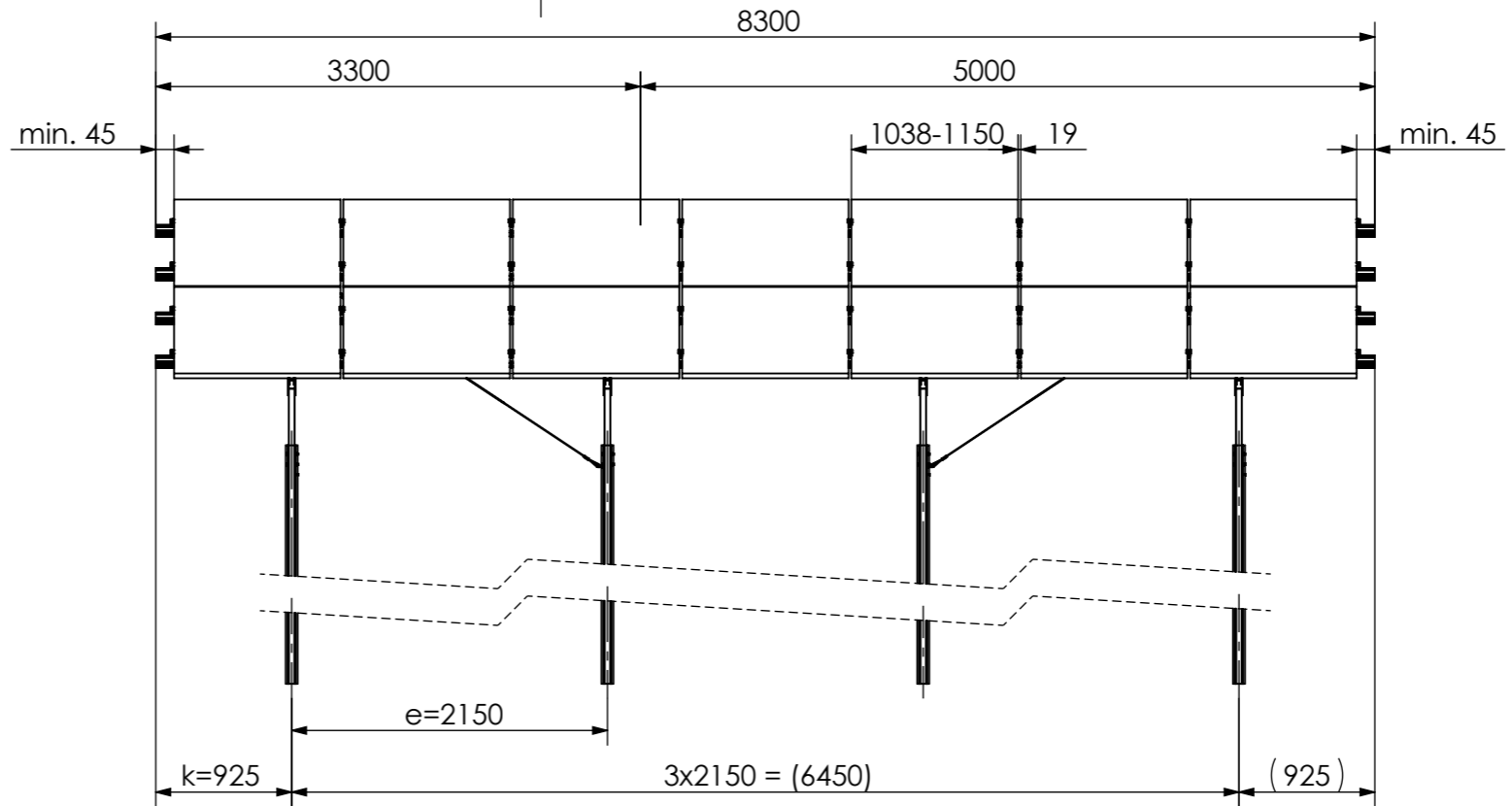
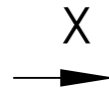
K2 Systems GmbH  
Haldenstr. 1  
71272 Renningen  
Germany  
+49 7159 42059-0

Designation:  
**Data sheet**  
**N-Rack 2.20 Groundscrew 2x12 L**

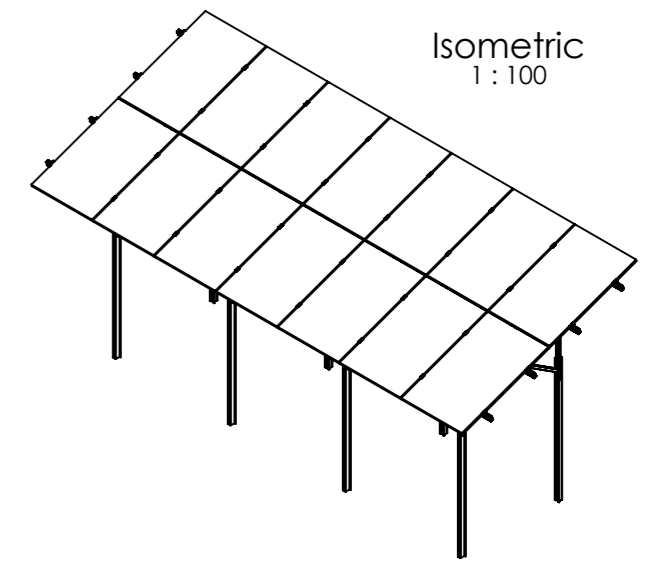
Name	Date	Material:	Item no.:	A3
Designed S. Frey	07.08.2025	-	-	All dimensions in mm Sheet 1 of 1
Approved C. Erb	17.03.2026	Surface: -	Drawing no.: -	
Last change A. Soumpalas	20.03.2026	Weight: -	Scale: 1:50	
This drawing is the sole property of K2 Systems GmbH. It is protected by copyright and may only be copied, reproduced or distributed to a third party with explicit permission!				

# Pile-driven foundations

Pile Kit 2x7 S



Acc. to the installation manual, the clamp position and the modules have to be installed in a symmetrical arrangement to the beam length.



14 modules (2x7 Portrait)  
for module width ≤ 1150 mm

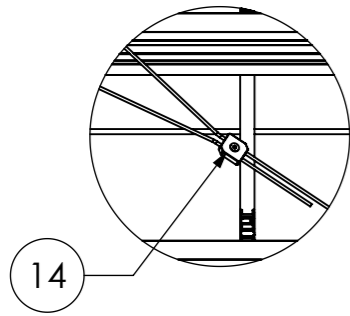
12 modules (2x6 Portrait)  
for module width >1150-1303 mm

Peak velocity  $q_p[z]$ : 0.67kN/m<sup>2</sup>  
Ground snow load  $S_k$ : 1.75kN/m<sup>2</sup>

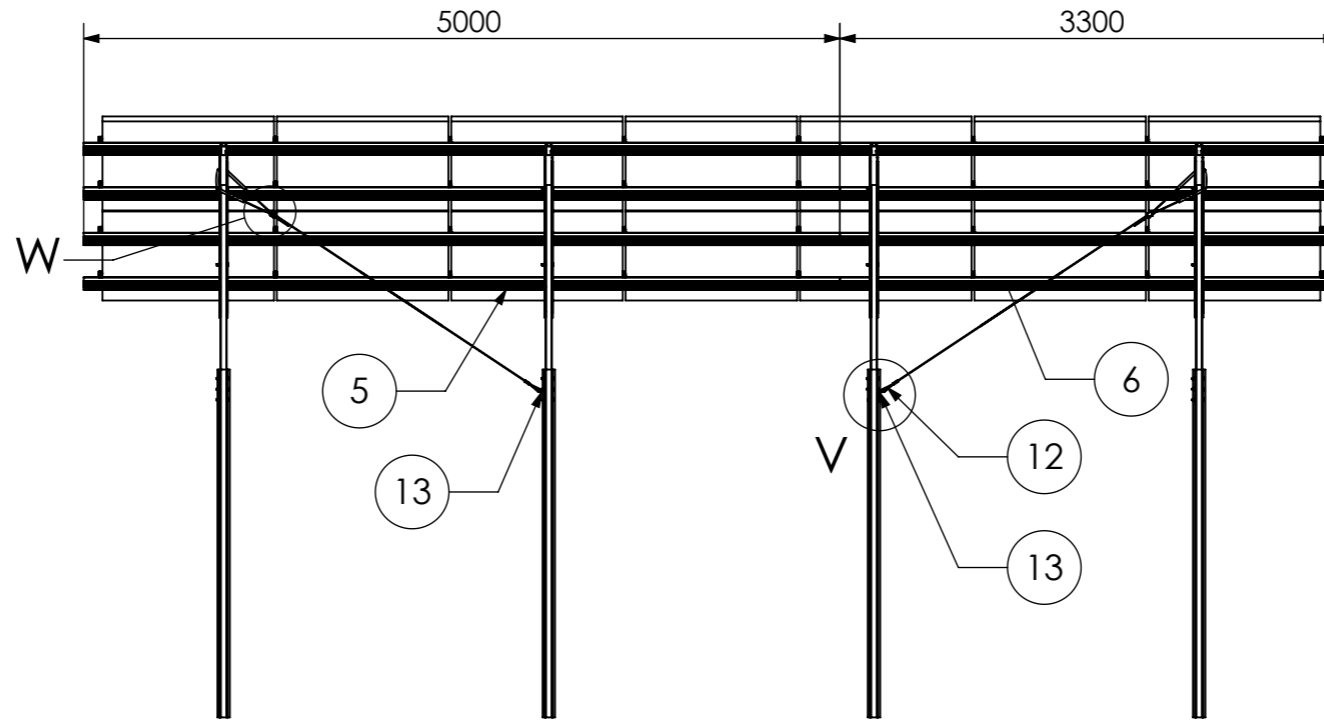
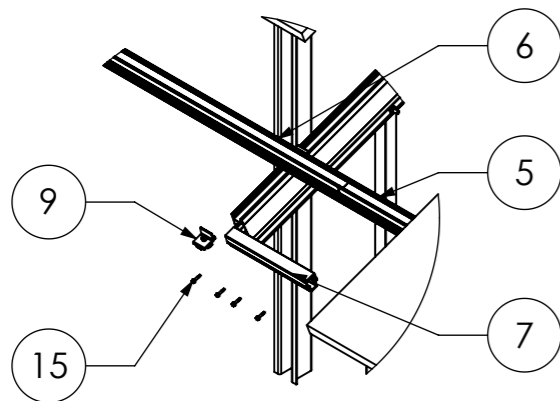
	K2 Systems GmbH Haldenstr. 1 71272 Renningen Germany +49 7159 42059-0			Designation: <b>Data sheet</b> <b>N-Rack 2.20 Pile 2x7 S</b>	
	Name	Date	Material:	Item no.:	A3
	Designed	C. Erb	28.01.2026	-	
	Approved	L. Kreemke	16.03.2026	Surface: -	Drawing no.: -
Last change			Weight: -	Scale: 1:50	All dimensions in mm Sheet 1 of 1

This drawing is the sole property of K2 Systems GmbH. It is protected by copyright and may only be copied, reproduced or distributed to a third party with explicit permission!

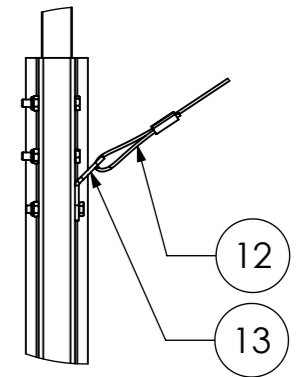
Detail W  
1:10



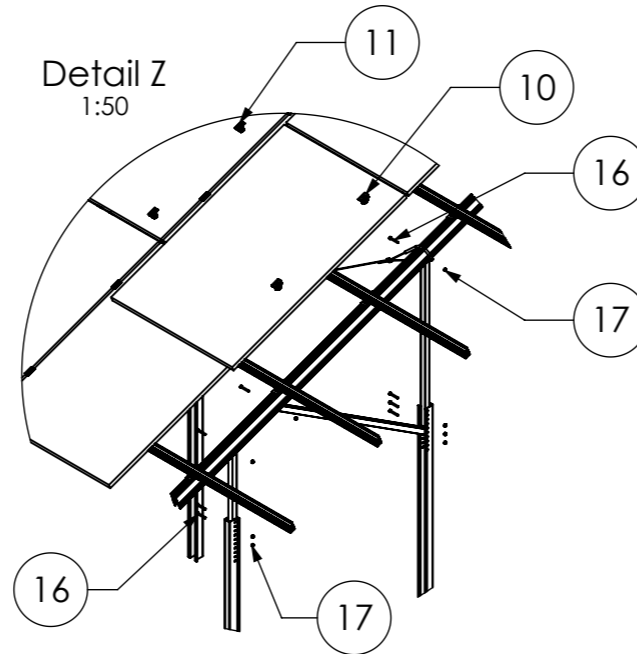
Detail Y  
1:20



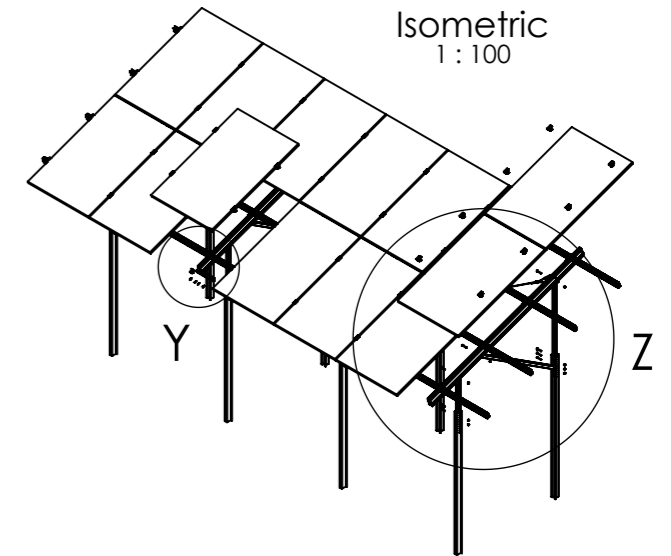
Detail V  
1:10



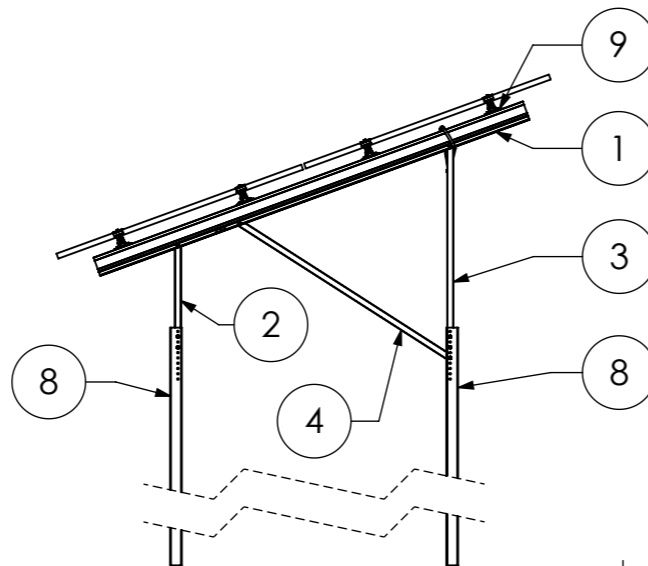
Detail Z  
1:50



Isometric  
1:100



Pos.No.	Designation
1	Beam N-Rack 3020
2	3-Hole Brace N-Rack 715
3	3-Hole Brace N-Rack 1370
4	2-Hole Brace N-Rack 1696
5	CrossRail 73 - 5 m
6	CrossRail 73 - 3,3 m
7	CrossRail 73 Connector
8	Cap-Profile N-Rack
9	Climber 36/50 Set
10	EC Clamp Set
11	MC Clamp Set
12	Gripple Bracing
13	Gripple Angle
14	Gripple Lock
15	Self-tapping screw 5,5 x 25 - A2
16	Hexagon head bolt - ISO 4014 - M10x70-A2-70
17	Hexagon nut with clamping piece - ISO 10511 - M10 - A2-70



14 modules (2x7 Portrait)  
for module width ≤ 1150 mm

12 modules (2x6 Portrait)  
for module width >1150-1303 mm

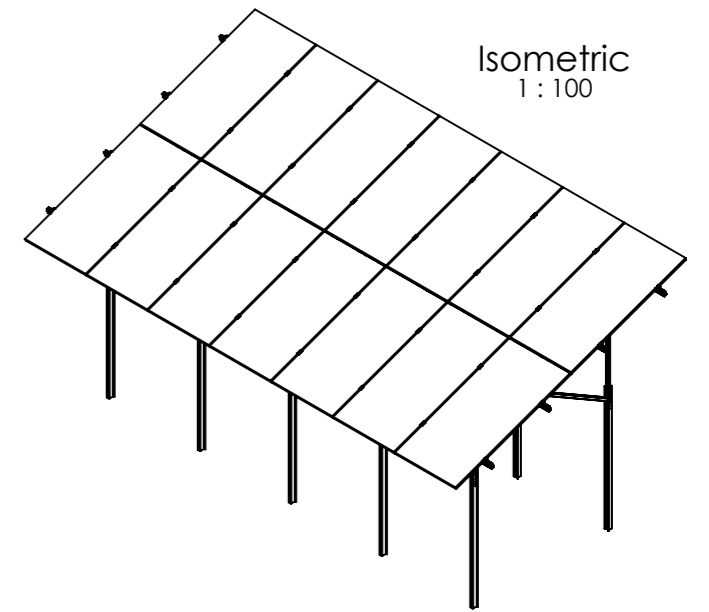
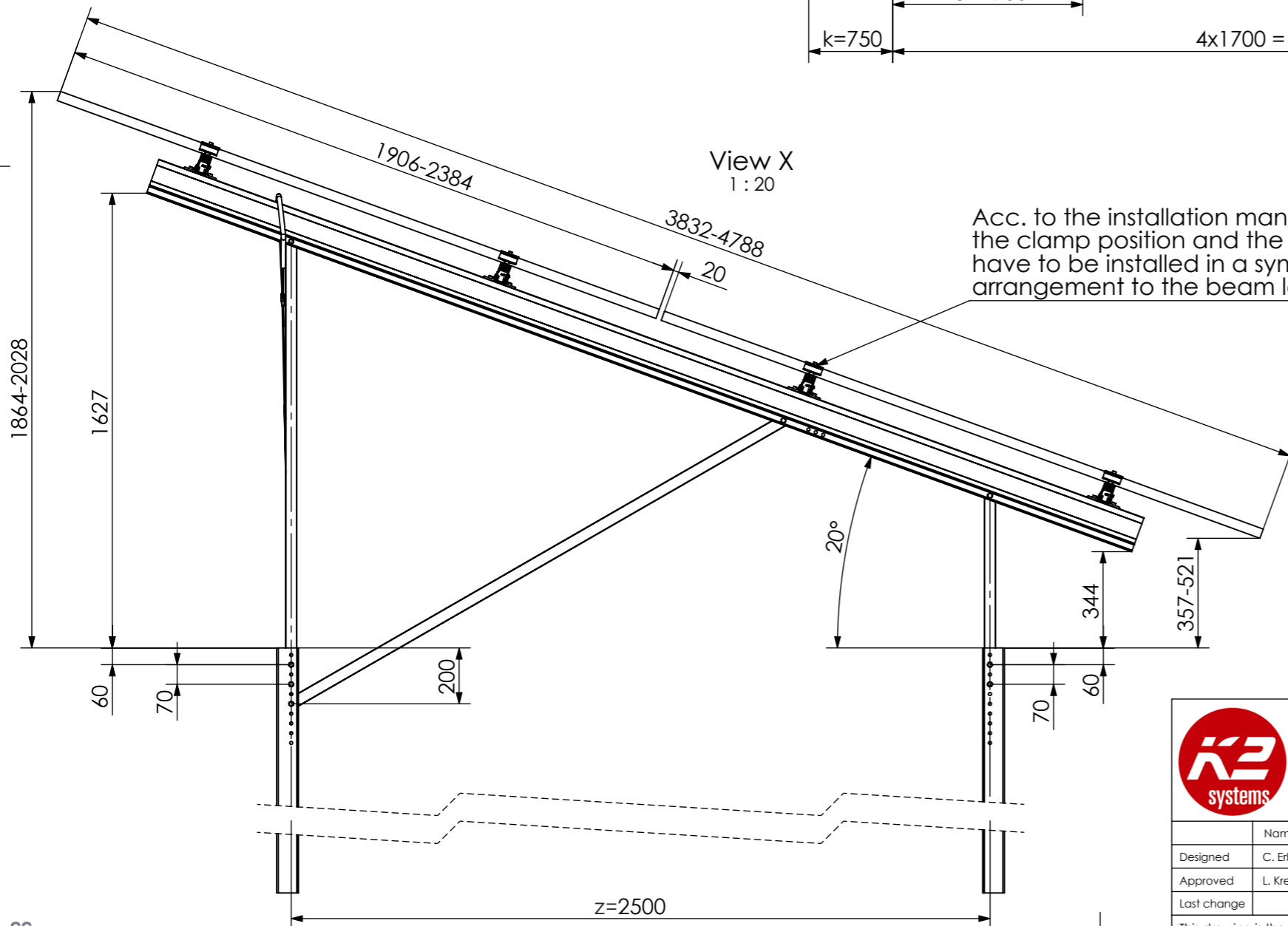
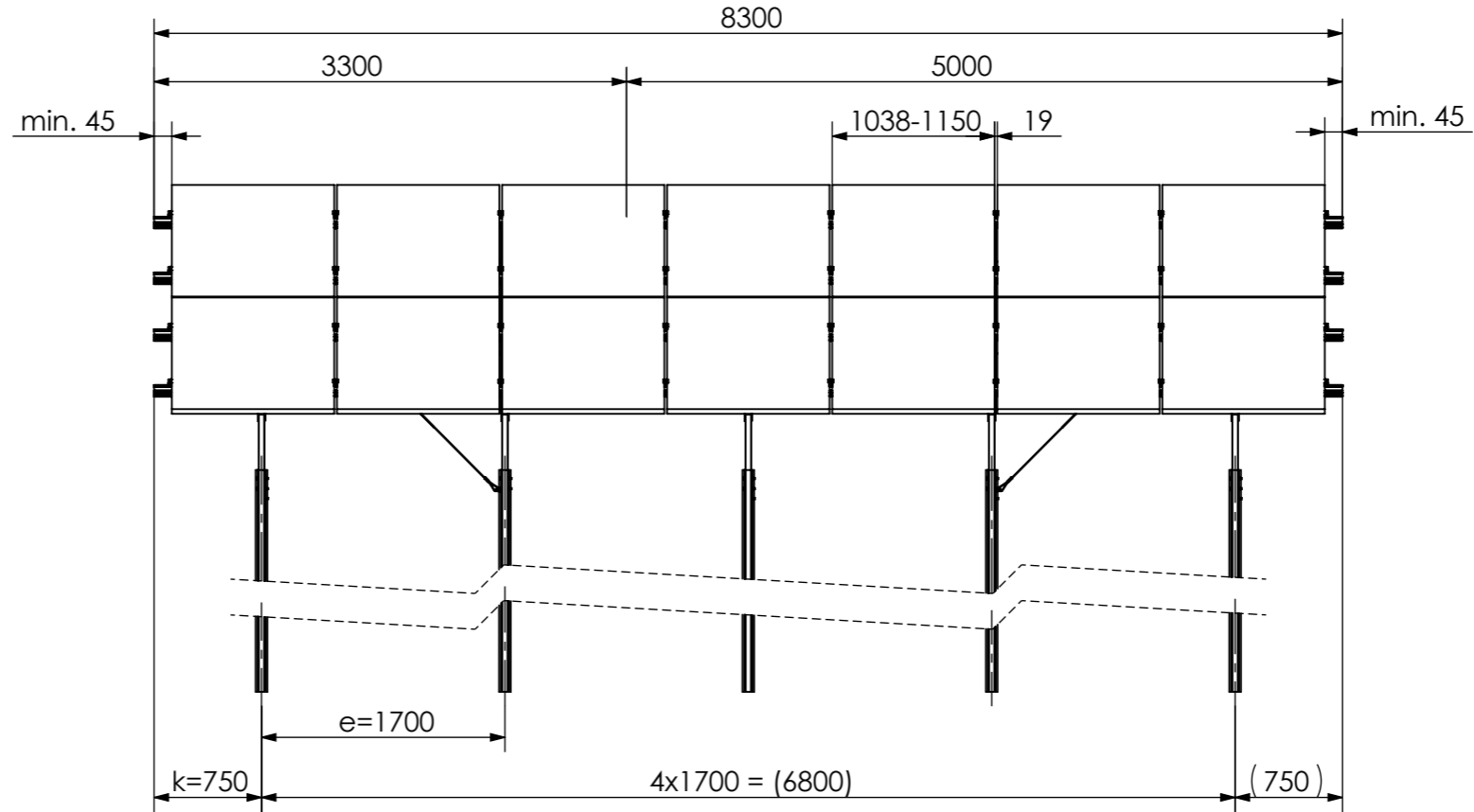
Peak velocity  $q_p[z]$ : 0.67kN/m<sup>2</sup>  
Ground snow load  $S_k$ : 1.75kN/m<sup>2</sup>



K2 Systems GmbH  
Haldenstr. 1  
71272 Renningen  
Germany  
+49 7159 42059-0

Designation:		Data sheet N-Rack 2.20 Pile 2x7 S	
Name	Date	Item no.:	A3
Designed	C. Erb	28.01.2026	-
Approved	L. Kreemke	16.03.2026	-
Last change		Weight:	Scale: 1:50
This drawing is the sole property of K2 Systems GmbH. It is protected by copyright and may only be copied, reproduced or distributed to a third party with explicit permission!		All dimensions in mm Sheet 1 of 1	

**Pile Kit 2x7 L**



14 modules (2x7 Portrait)  
for module width ≤ 1150 mm

12 modules (2x6 Portrait)  
for module width >1150-1303 mm

Peak velocity  $q_p[z]$ : 0.67kN/m<sup>2</sup>  
Ground snow load  $S_k$ : 1.75kN/m<sup>2</sup>



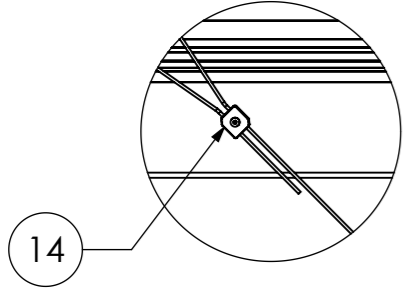
K2 Systems GmbH  
Haldenstr. 1  
71272 Renningen  
Germany  
+49 7159 42059-0

Designation:  
**Data sheet**  
**N-Rack 2.20 Pile 2x7 L**

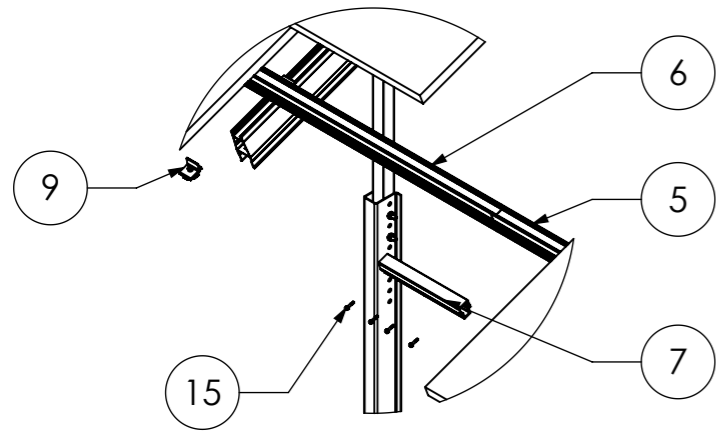
Name	Date	Material:	Item no.:	A3
Designed C. Erb	28.01.2026	-	-	All dimensions in mm Sheet 1 of 1
Approved L. Kreemke	16.03.2026	Surface: -	Drawing no.: -	
Last change		Weight: -	Scale: 1:50	

This drawing is the sole property of K2 Systems GmbH. It is protected by copyright and may only be copied, reproduced or distributed to a third party with explicit permission!

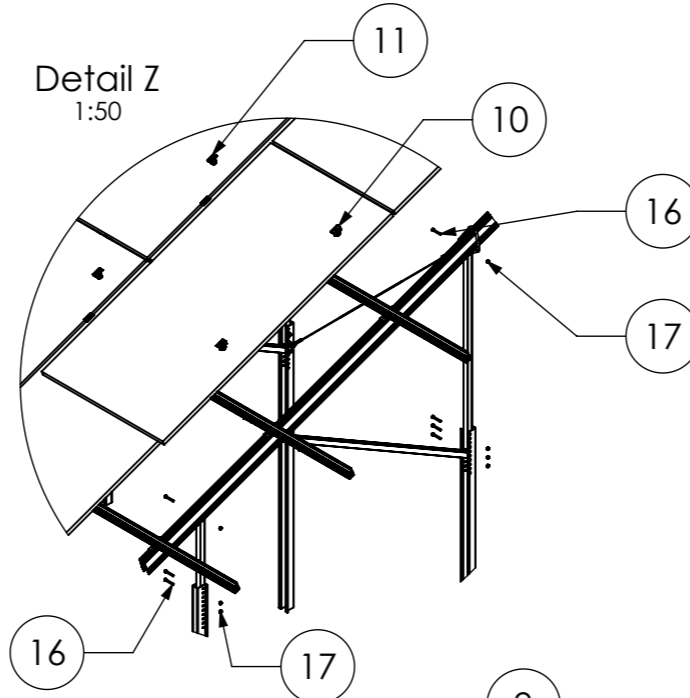
Detail W  
1:10



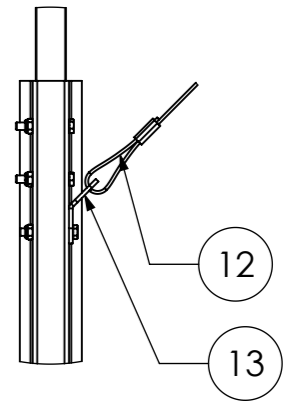
Detail Y  
1:20



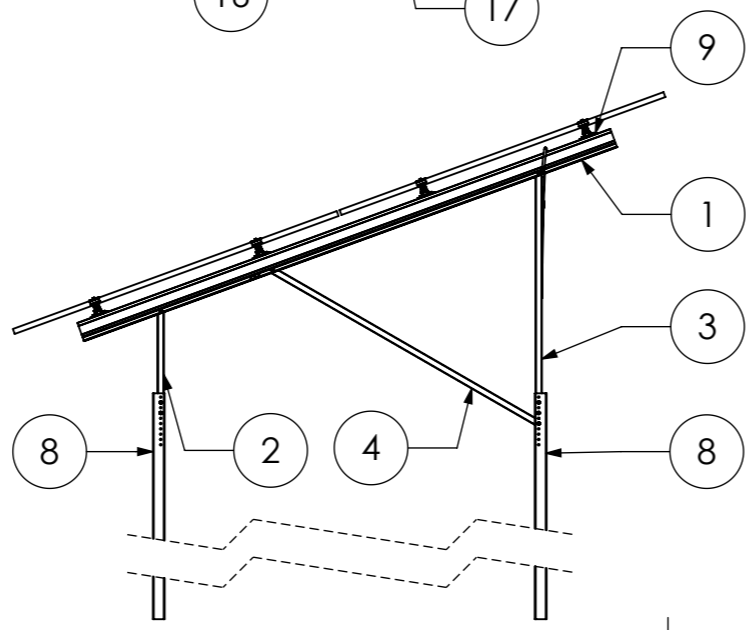
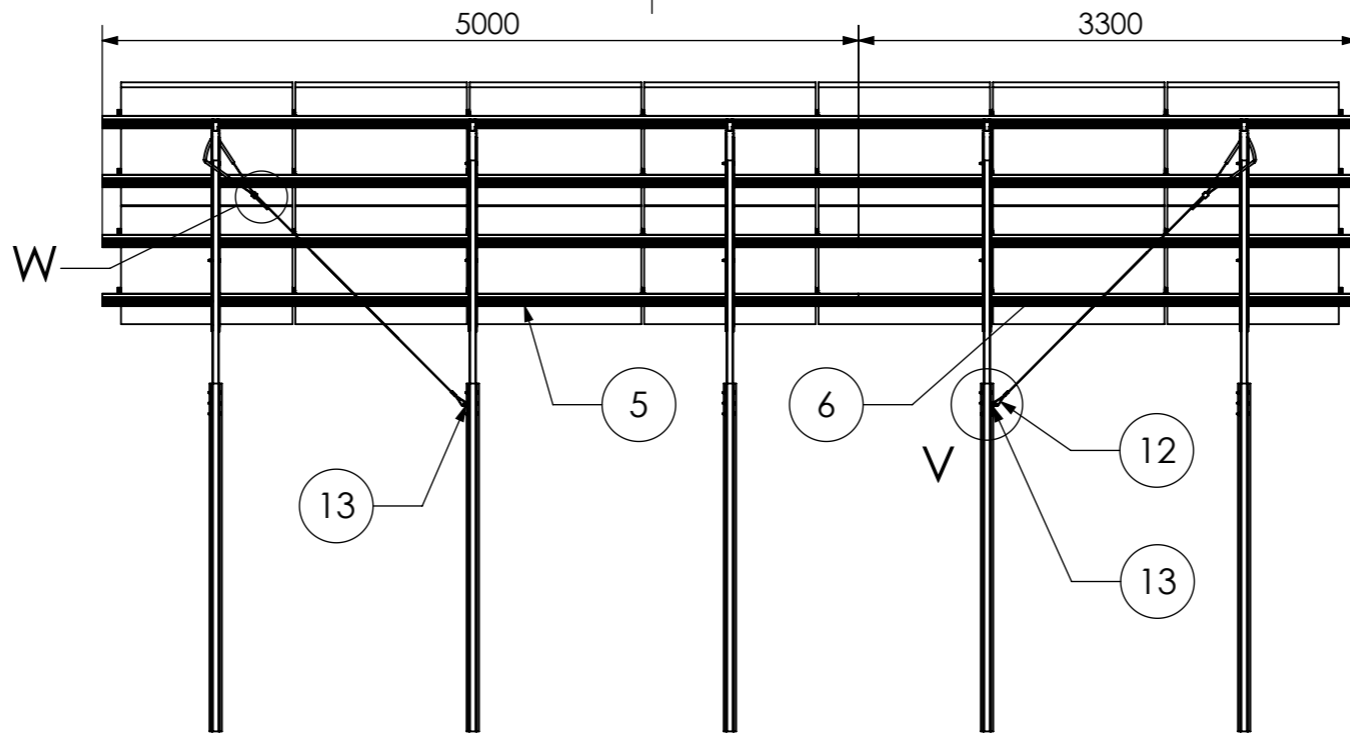
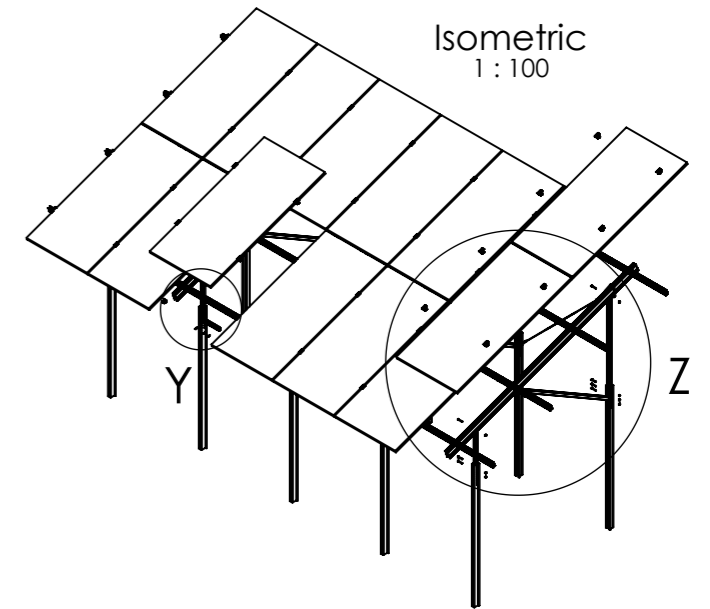
Detail Z  
1:50



Detail V  
1:10



Isometric  
1:100



Pos.No.	Designation
1	Beam N-Rack 3750
2	3-Hole Brace N-Rack 715
3	3-Hole Brace N-Rack 1625
4	2-Hole Brace N-Rack 2072
5	CrossRail 73 - 5 m
6	CrossRail 73 - 3,3 m
7	CrossRail 73 Connector
8	Cap-Profile N-Rack
9	Climber 36/50 Set
10	EC Clamp Set
11	MC Clamp Set
12	Gripple Bracing
13	Gripple Angle
14	Gripple Lock
15	Self-tapping screw 5,5 x 25 - A2
16	Hexagon head bolt - ISO 4014 - M10x70-A2-70
17	Hexagon nut with clamping piece - ISO 10511 - M10 - A2-70

14 modules (2x7 Portrait)  
for module width ≤ 1150 mm

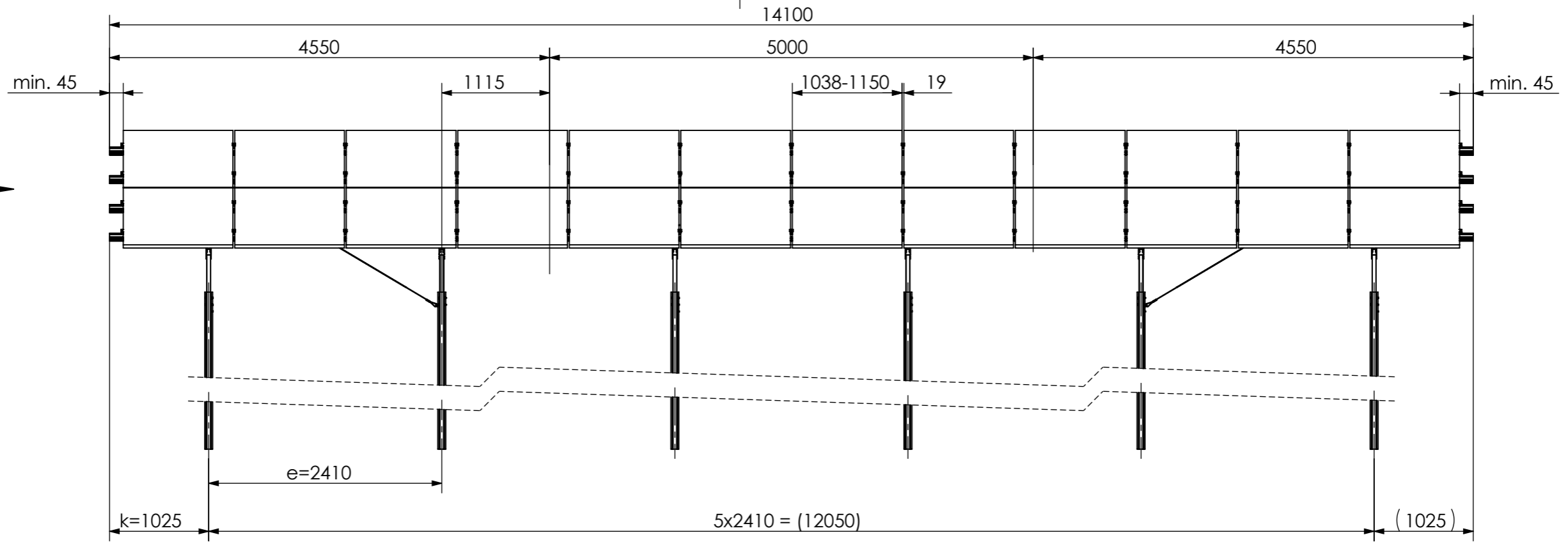
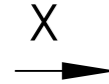
12 modules (2x6 Portrait)  
for module width >1150-1303 mm

Peak velocity  $q_p[z]$ : 0.67kN/m<sup>2</sup>  
Ground snow load  $S_k$ : 1.75kN/m<sup>2</sup>

	K2 Systems GmbH Haldenstr. 1 71272 Renningen Germany +49 7159 42059-0			Designation: <b>Data sheet N-Rack 2.20 Pile 2x7 L</b>	
	Name	Date	Material:	Item no.:	A3
	Designed	C. Erb	28.01.2026	-	-
	Approved	L. Kreemke	16.03.2026	Surface: -	Drawing no.: -
Last change			Weight: -	Scale: 1:50	All dimensions in mm Sheet 1 of 1

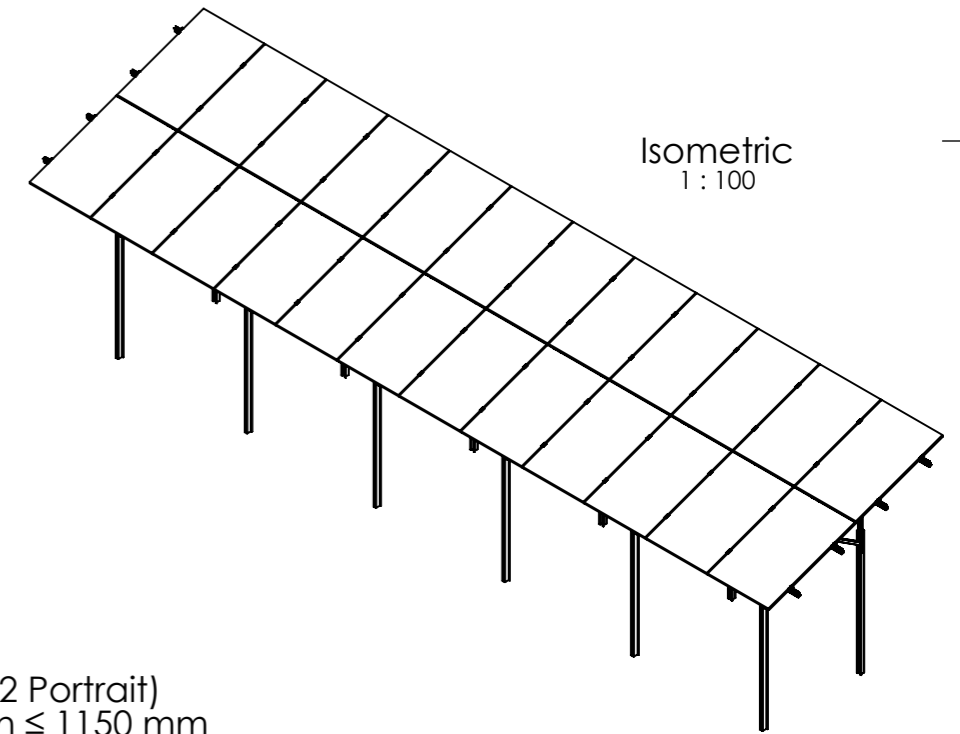
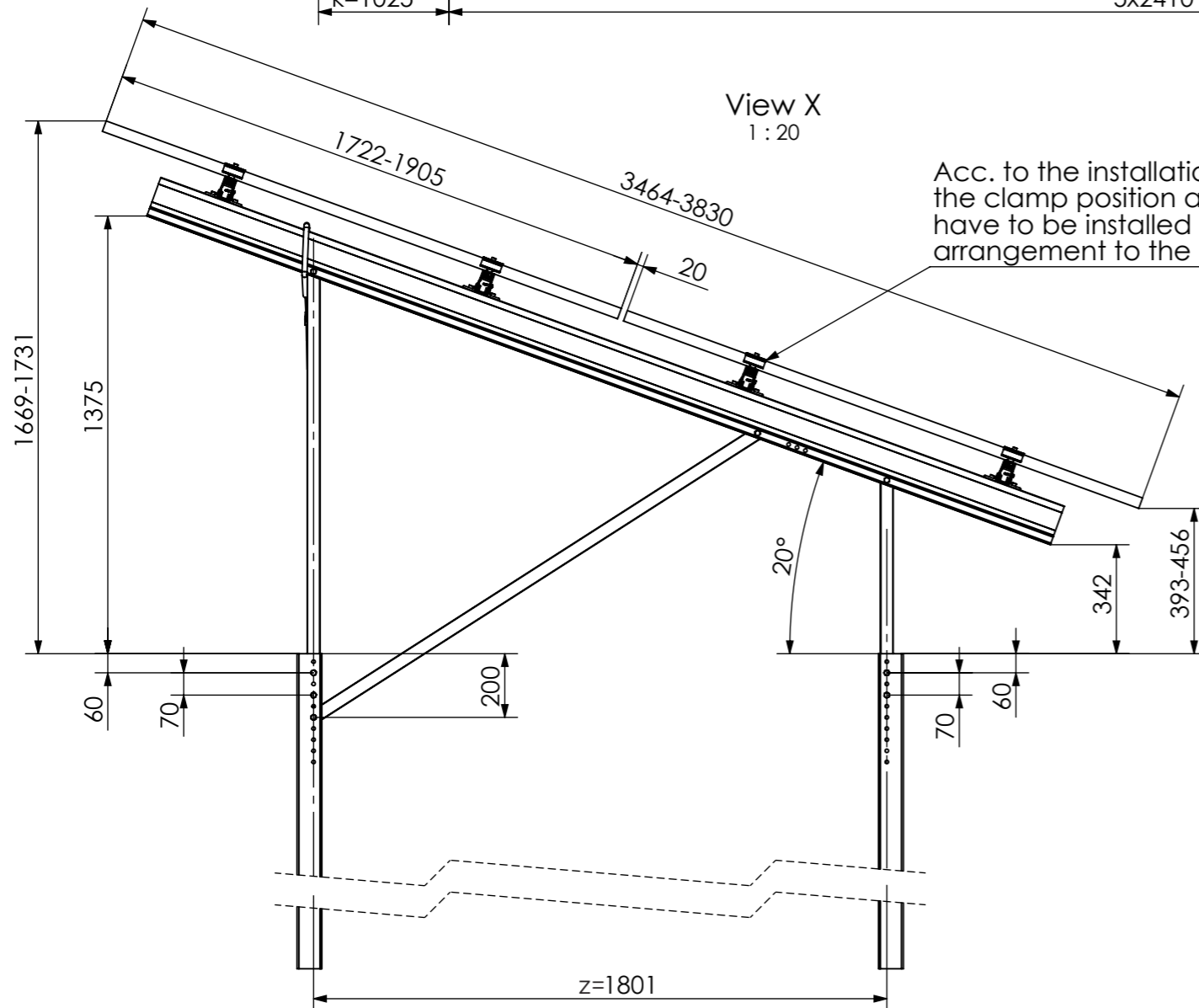
This drawing is the sole property of K2 Systems GmbH. It is protected by copyright and may only be copied, reproduced or distributed to a third party with explicit permission!

**Pile Kit 2x12 S**



View X  
1 : 20

Acc. to the installation manual, the clamp position and the modules have to be installed in a symmetrical arrangement to the beam length.



24 modules (2x12 Portrait)  
for module width ≤ 1150 mm

20 modules (2x10 Portrait)  
for module width > 1150-1303 mm

Peak velocity  $q_p[z]$ : 0.67kN/m<sup>2</sup>  
Ground snow load  $S_k$ : 1.75kN/m<sup>2</sup>

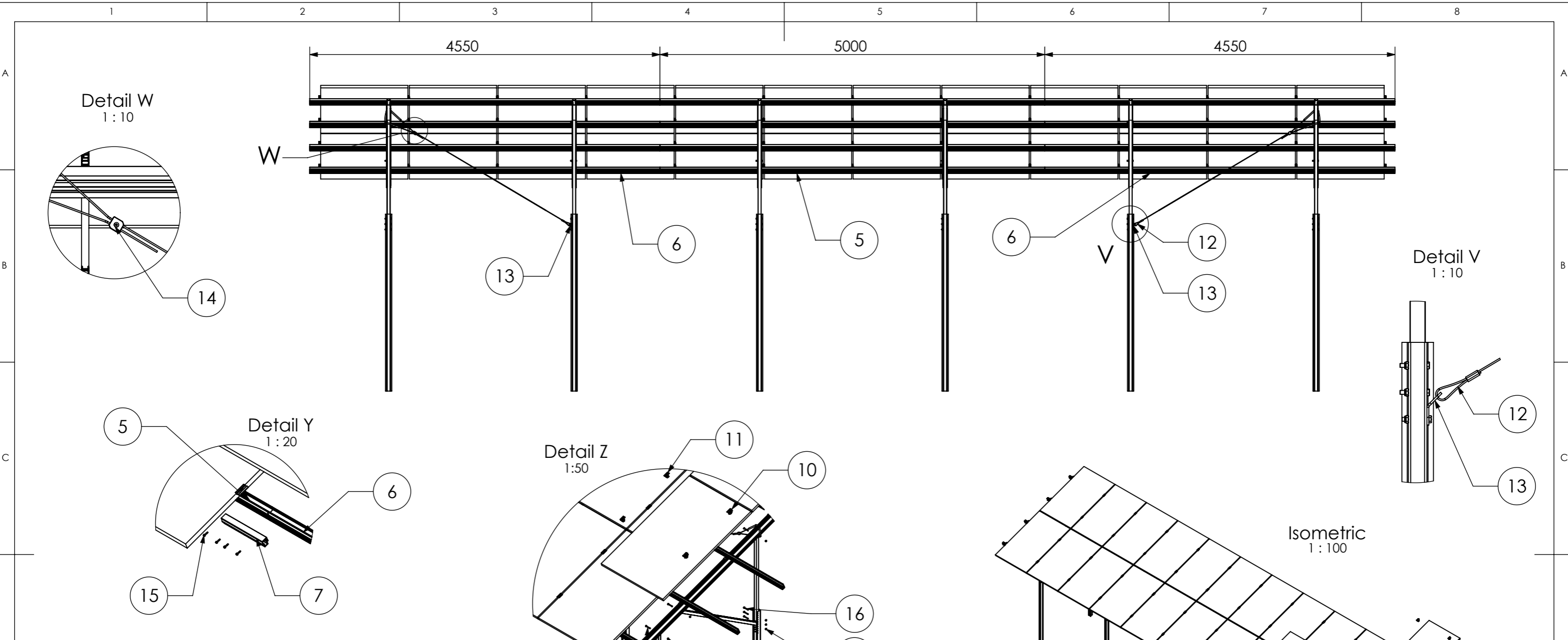


K2 Systems GmbH  
Haldenstr. 1  
71272 Renningen  
Germany  
+49 7159 42059-0

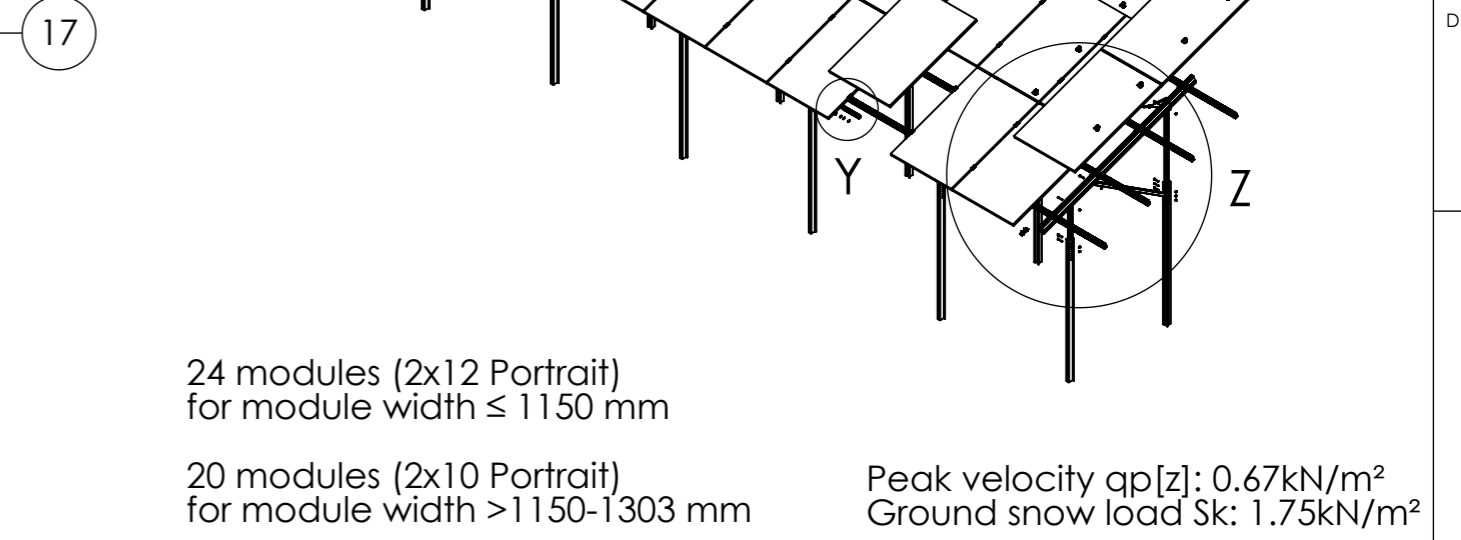
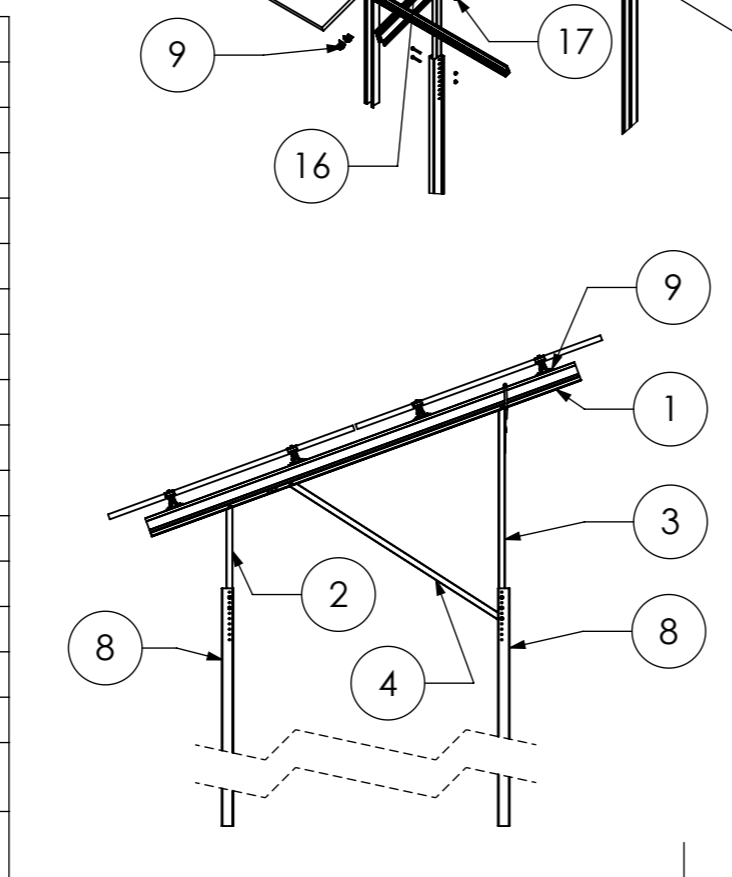
Designation:  
**Data sheet**  
**N-Rack 2.20 Pile 2x12 S**

	Name	Date	Material:	Item no.:	-	A3
Designed	C. Erb	28.01.2026	-	Drawing no.:	-	All dimensions in mm
Approved	L. Kreemke	16.03.2026	Surface: -			Sheet 1 of 1
Last change			Weight: -	Scale: 1:50		

This drawing is the sole property of K2 Systems GmbH. It is protected by copyright and may only be copied, reproduced or distributed to a third party with explicit permission!

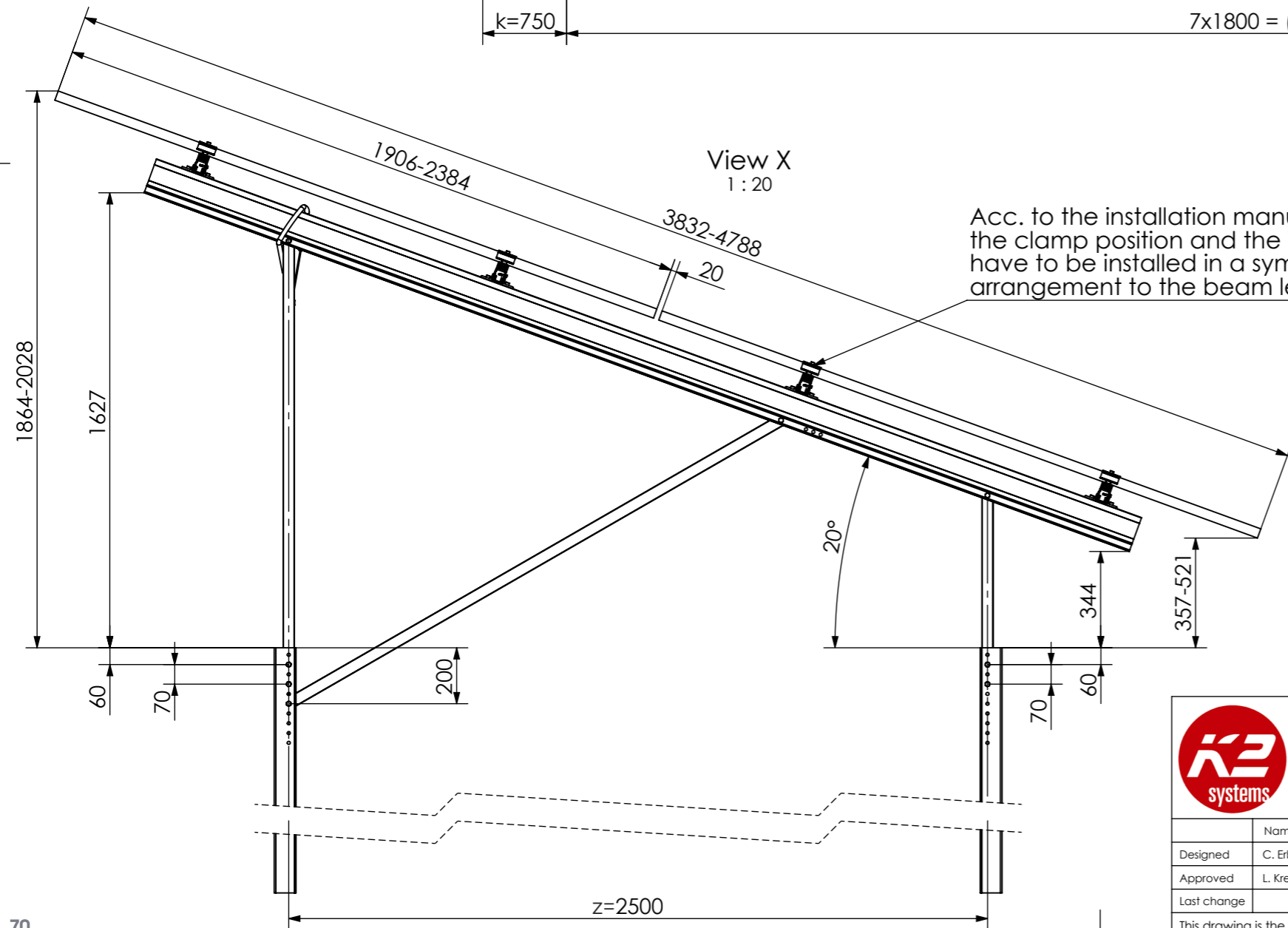
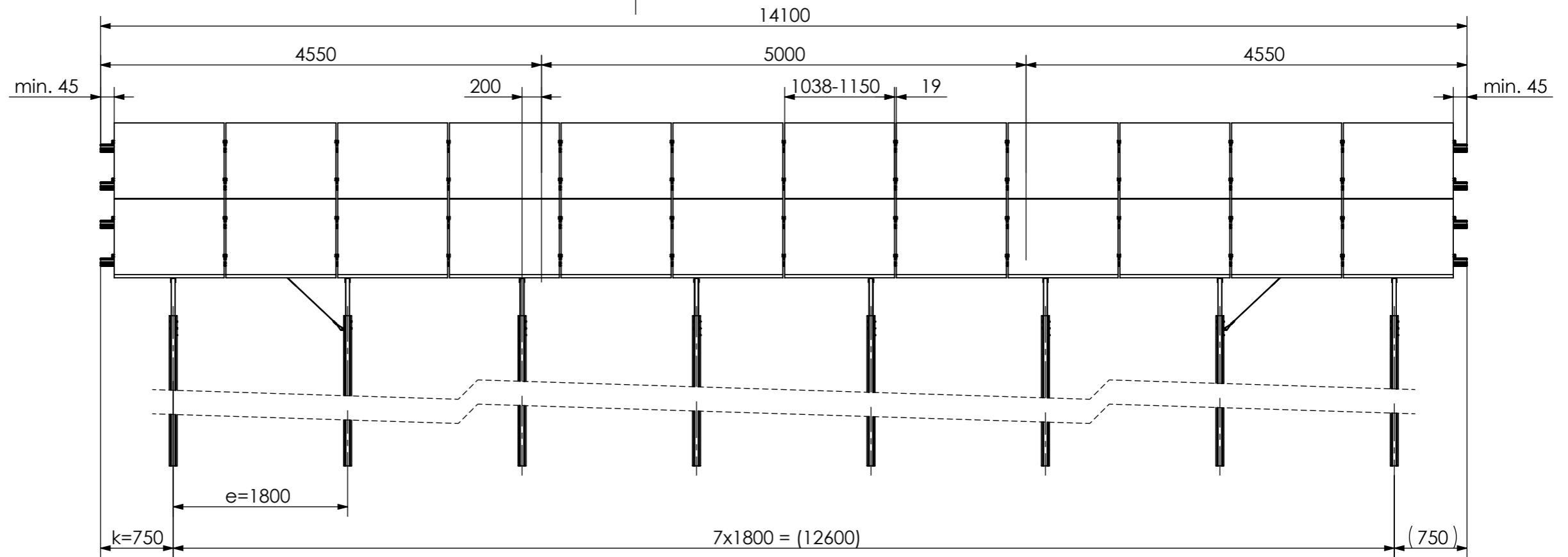
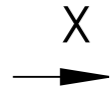


Pos.No.	Designation
1	Beam N-Rack 3020
2	3-Hole Brace N-Rack 715
3	3-Hole Brace N-Rack 1370
4	2-Hole Brace N-Rack 1696
5	CrossRail 73 - 5 m
6	CrossRail 73 - 4,55 m
7	CrossRail 73 Connector
8	Cap-Profile N-Rack
9	Climber 36/50 Set
10	EC Clamp Set
11	MC Clamp Set
12	Gripple Bracing
13	Gripple Angle
14	Gripple Lock
15	Self-tapping screw 5,5 x 25 - A2
16	Hexagon head bolt - ISO 4014 - M10x70-A2-70
17	Hexagon nut with clamping piece - ISO 10511 - M10 - A2-70

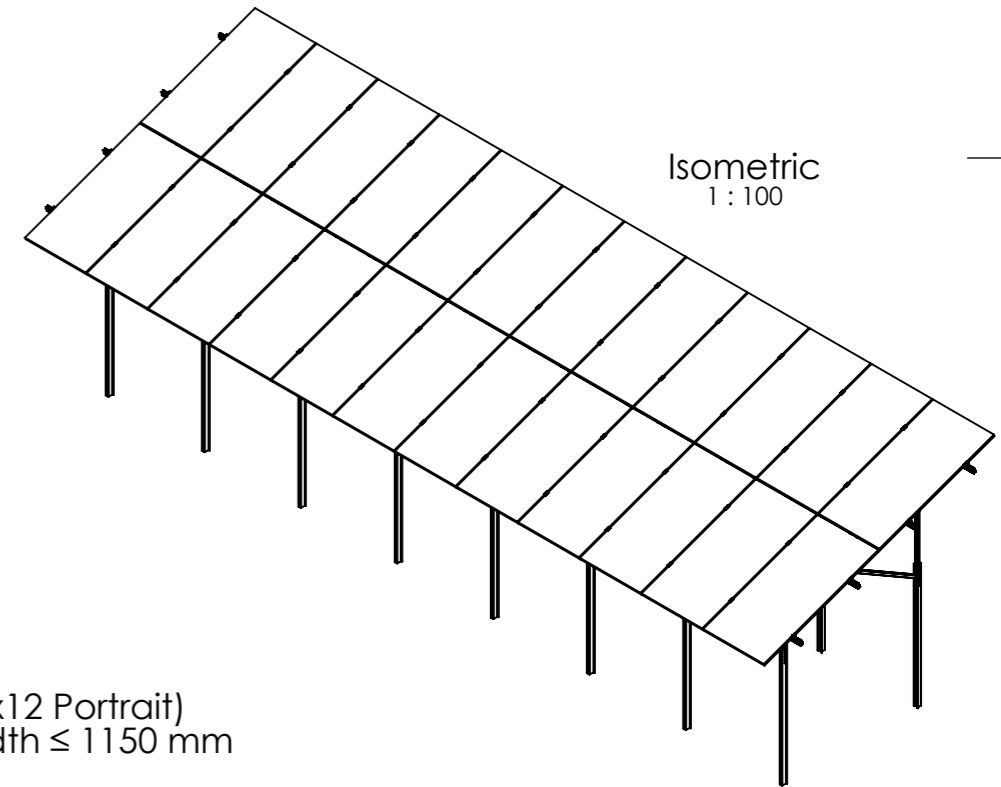


	K2 Systems GmbH Haldenstr. 1 71272 Renningen Germany +49 7159 42059-0		Designation: <b>Data sheet N-Rack 2.20 Pile 2x12 S</b>																				
	<table border="1"> <thead> <tr> <th>Name</th> <th>Date</th> <th>Material:</th> </tr> </thead> <tbody> <tr> <td>Designed C. Erb</td> <td>28.01.2026</td> <td>-</td> </tr> <tr> <td>Approved L. Kreemke</td> <td>16.03.2026</td> <td>Surface: -</td> </tr> <tr> <td>Last change</td> <td></td> <td>Weight: -</td> </tr> </tbody> </table>	Name	Date	Material:	Designed C. Erb	28.01.2026	-	Approved L. Kreemke	16.03.2026	Surface: -	Last change		Weight: -	<table border="1"> <thead> <tr> <th>Item no.:</th> <th>Scale:</th> </tr> </thead> <tbody> <tr> <td>-</td> <td>1:50</td> </tr> </tbody> </table>	Item no.:	Scale:	-	1:50	<table border="1"> <thead> <tr> <th>Item no.:</th> <th>Sheet no.:</th> </tr> </thead> <tbody> <tr> <td>-</td> <td>A3</td> </tr> </tbody> </table>	Item no.:	Sheet no.:	-	A3
Name	Date	Material:																					
Designed C. Erb	28.01.2026	-																					
Approved L. Kreemke	16.03.2026	Surface: -																					
Last change		Weight: -																					
Item no.:	Scale:																						
-	1:50																						
Item no.:	Sheet no.:																						
-	A3																						
This drawing is the sole property of K2 Systems GmbH. It is protected by copyright and may only be copied, reproduced or distributed to a third party with explicit permission!																							

**Pile Kit 2x12 L**



Acc. to the installation manual, the clamp position and the modules have to be installed in a symmetrical arrangement to the beam length.



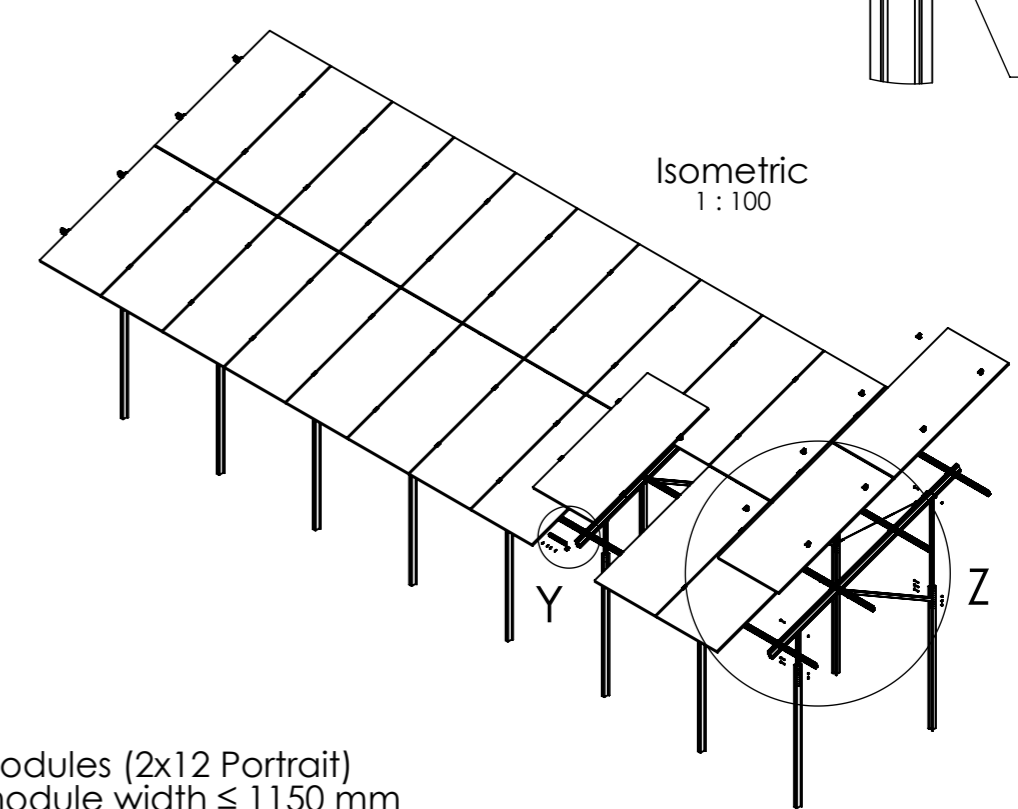
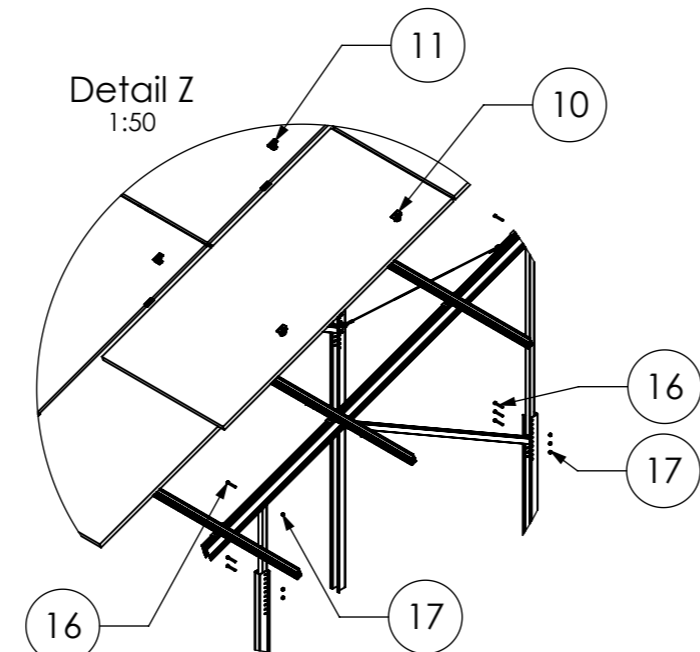
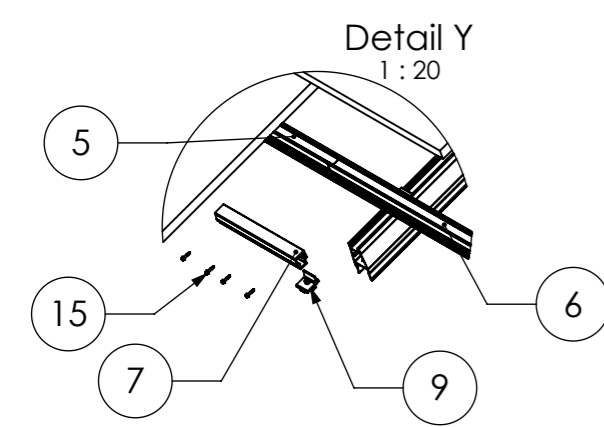
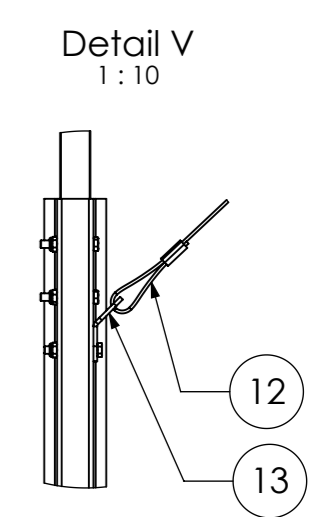
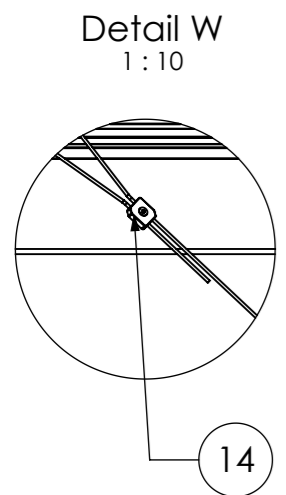
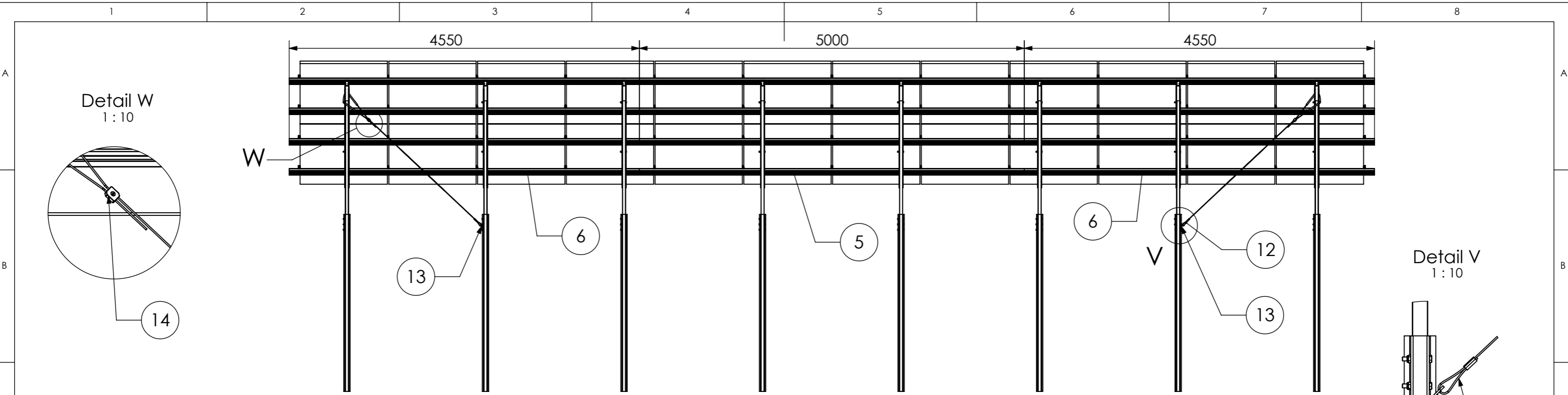
24 modules (2x12 Portrait)  
for module width ≤ 1150 mm

20 modules (2x10 Portrait)  
for module width >1150-1303 mm

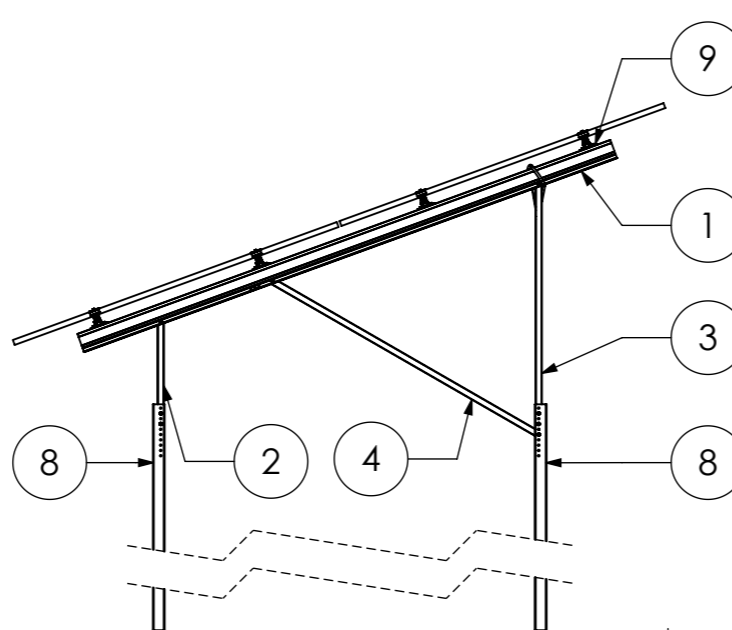
Peak velocity  $q_p[z]$ : 0.67kN/m<sup>2</sup>  
Ground snow load  $S_k$ : 1.75kN/m<sup>2</sup>

	K2 Systems GmbH Haldenstr. 1 71272 Renningen Germany +49 7159 42059-0			Designation: <b>Data sheet</b> <b>N-Rack 2.20 Pile 2x12 L</b>	
	Name	Date	Material:	Item no.:	A3
	Designed	C. Erb	28.01.2026	-	
	Approved	L. Kreemke	16.03.2026	Surface: -	Drawing no.: -
Last change			Weight: -	Scale: 1:50	All dimensions in mm Sheet 1 of 1

This drawing is the sole property of K2 Systems GmbH. It is protected by copyright and may only be copied, reproduced or distributed to a third party with explicit permission!



Pos.No.	Designation
1	Beam N-Rack 3750
2	3-Hole Brace N-Rack 715
3	3-Hole Brace N-Rack 1625
4	2-Hole Brace N-Rack 2072
5	CrossRail 73 - 5 m
6	CrossRail 73 - 4,55 m
7	CrossRail 73 Connector
8	Cap-Profile N-Rack
9	Climber 36/50 Set
10	EC Clamp Set
11	MC Clamp Set
12	Gripple Bracing
13	Gripple Angle
14	Gripple Lock
15	Self-tapping screw 5,5 x 25 - A2
16	Hexagon head bolt - ISO 4014 - M10x70-A2-70
17	Hexagon nut with clamping piece - ISO 10511 - M10 - A2-70



24 modules (2x12 Portrait)  
for module width ≤ 1150 mm

20 modules (2x10 Portrait)  
for module width >1150-1303 mm

Peak velocity  $q_p[z]$ : 0.67kN/m<sup>2</sup>  
Ground snow load  $S_k$ : 1.75kN/m<sup>2</sup>

	K2 Systems GmbH Haldenstr. 1 71272 Renningen Germany +49 7159 42059-0			Designation: <b>Data sheet N-Rack 2.20 Pile 2x12 L</b>	
	Name	Date	Material:	Item no.:	A3
	Designed	C. Erb	28.01.2026	-	
	Approved	L. Kreemke	16.03.2026	Surface: -	Drawing no.: -
Last change			Weight: -	Scale: 1:50	All dimensions in mm Sheet 1 of 1

This drawing is the sole property of K2 Systems GmbH. It is protected by copyright and may only be copied, reproduced or distributed to a third party with explicit permission!



# Connecting Strength

## Thank you for choosing a K2 mounting system.

Mounting systems from K2 Systems are quick and easy to install. We hope these instructions have helped. Please contact us with any questions or suggestions for improvement. Our contact data:

- [k2-systems.com/en/contact](https://k2-systems.com/en/contact)
- **Service Hotline: +49 7159 42059-0**

Our General Terms of Business apply. Please refer: [k2-systems.com](https://k2-systems.com)

### K2 Systems GmbH

Haldenstraße 1 · 71272 Renningen · Germany  
+49 (0) 7159 - 42059 - 0 · [info@k2-systems.com](mailto:info@k2-systems.com) · [k2-systems.com](https://k2-systems.com)

N-Rack Kits Assembly EN V1 | 0526 · Subject to change  
Product illustrations are exemplary and may differ from the original.