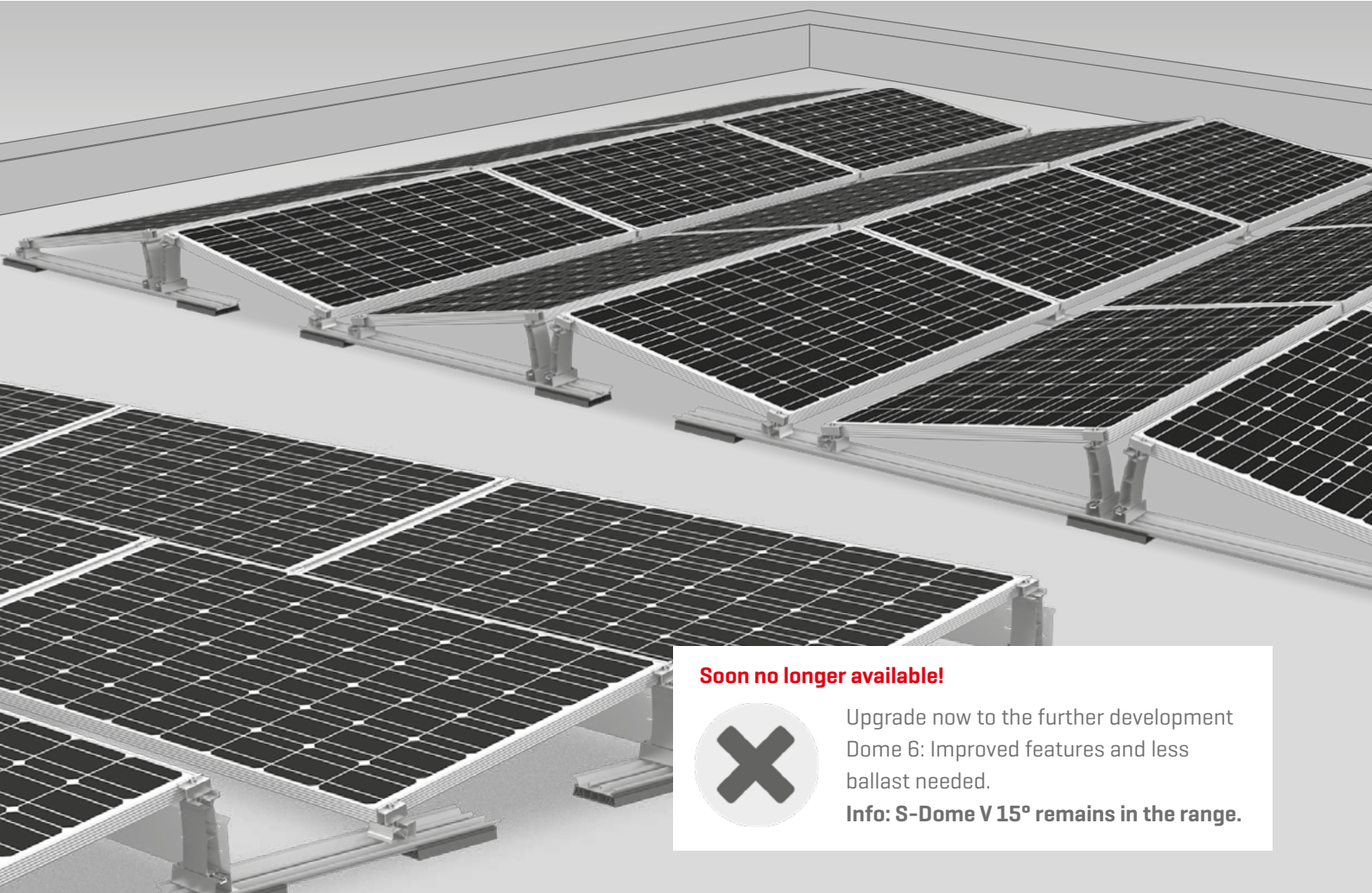




Dome V System



Soon no longer available!



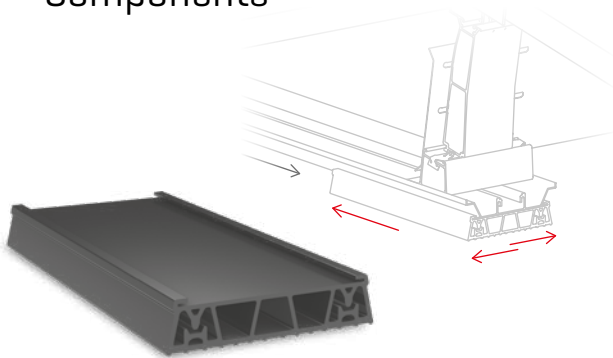
Upgrade now to the further development Dome 6: Improved features and less ballast needed.

Info: S-Dome V 15° remains in the range.

- / Clearly ballast- and component-optimized system due to better friction coefficient of the flexible support pad
- / Simultaneous assembly of modules and mounting system as well as reduced screw connections ensure faster installation
- / Reduced freight costs due to short short rail sections

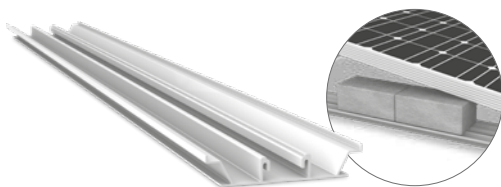


Components



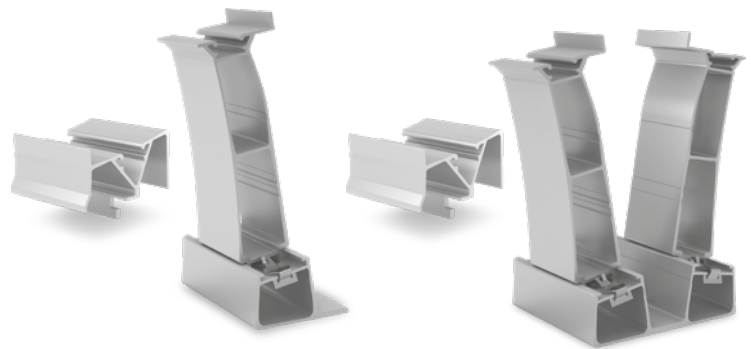
Mat V

- / Flexible Mat V made of EPDM – only 1 size and 1 variant (no aluminium lamination required)
- / Absorbs strains and compensates for tolerances
- / Lower Friction coefficients reduce ballast requirements



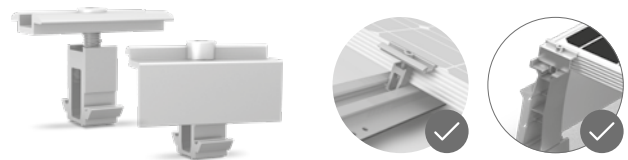
Rail mounting rail

- / Integrated ballast support almost eliminates the need for additional components
- / Short rails to accommodate the tolerances



Dome V elevation

- / Changed geometry and connections to accommodate tolerances
- / Single screw connection and fast screw-in assembly of the SD with fixation via module clamp
- / Low transport volume



Universal module clamps: MiniClamp MC/EC

- / Clamping range 30 - 50 mm
- / Compatible with MiniRail, all Dome V Systems and Dome 6 Systems
- / Optional: Equipotential bonding with TerraGrif possible

Technical data

	D-Dome V	S-Dome V
Scope of application	Flat roofs $\leq 5^\circ$ with single ply membrane or bituminous roof covering, also on concrete, gravelled or green roofs	
Fastening type/roof fixture	Ballasted; no roof penetration for inclination $\leq 3^\circ$	
Requirements	<ul style="list-style-type: none"> • Permissible module dimensions [L x W x H]: 1386 - 2100 x 985 - 1053 x 30 - 50 mm • Minimum system size: 2 supports [4 modules] • Clamping in corner areas permitted [see k2-systems.com/en/approved-modules] 	<ul style="list-style-type: none"> • Permissible module dimensions [L x W x H]: 1550 - 1760/1880 - 2100 x 950 - 1053 x 30 - 50 mm • Minimum system size: 2 modules
Technical specifications	<ul style="list-style-type: none"> • Thermal separation after a maximum of 15.5 m • Minimum distance to the edge of the roof 600 mm 	
Inclination angle	10°	10° / 15°
Material	<ul style="list-style-type: none"> • Mounting rails, Peak, Basic, SD and MiniClamps: Aluminium EN AW-6063 T66 and AW-6082 T6 • Windbreaker: Steel with Magnelis coating • Mat V protective mat: EPDM • Small parts: stainless steel [1.4301] A2-70 	

