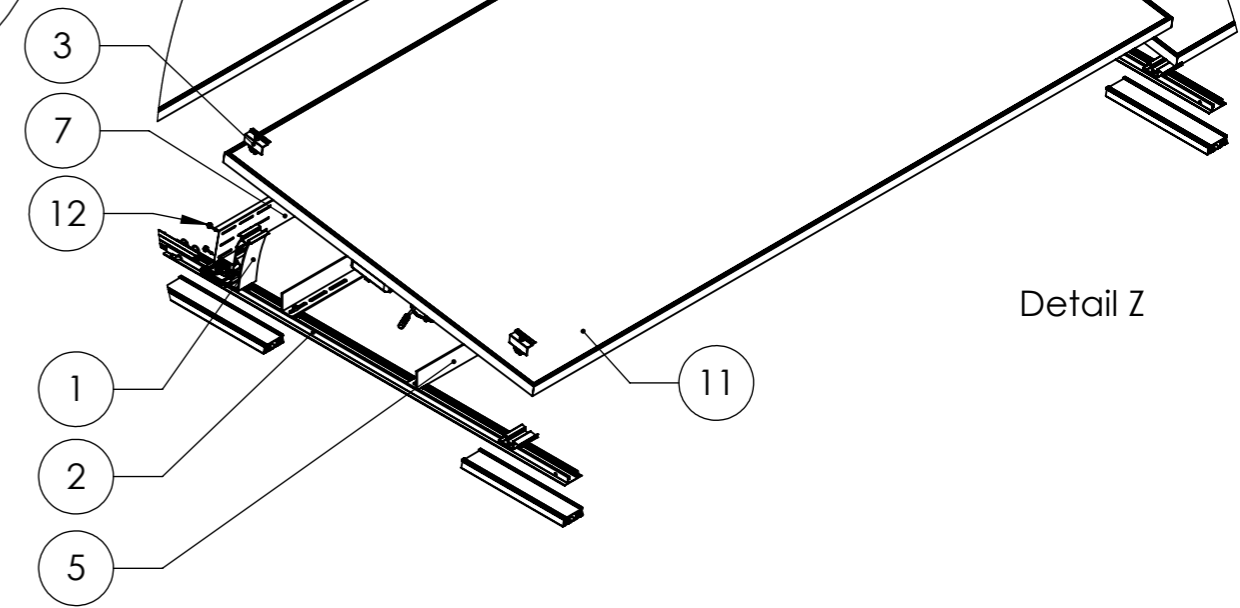
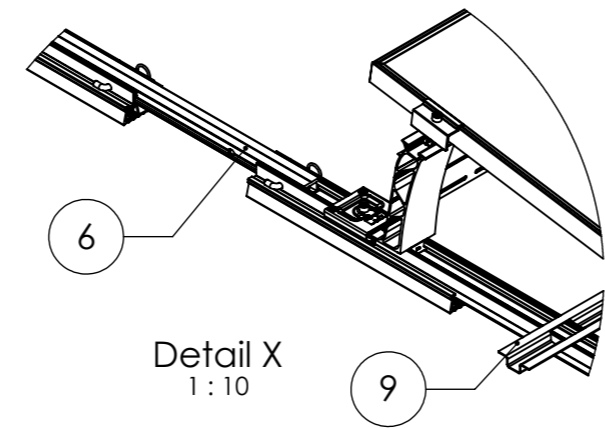



Pos.No.	Designation	optional
1	Dome 6.10 Peak	
2	S-Dome 6.10 Base Set L	
3	DomeClamp EC Set	
4	DomeClamp MC Set	
5	Dome Porter X-tra long	X
6	Dome 6 Connector 195/495 Set*	
7	S-Dome 6.10 Windbreaker X-tra long	
8	Dome FixPro Set	X
9	Dome SpeedPorter	X
10	CableManager	X
11	Module	
12	Self tapping screw	



	K2 Systems GmbH Industriestr. 18 71272 Renningen Germany +49 7159 42059-0			Designation: <h2 style="text-align: center;">Data sheet</h2> <h3 style="text-align: center;">S-Dome 6.10 L Xpress</h3>															
	<table border="1"> <thead> <tr> <th></th> <th>Name</th> <th>Date</th> <th>Material:</th> </tr> </thead> <tbody> <tr> <td>Designed</td> <td>A.Gerstenberger</td> <td>08.03.2021</td> <td>-</td> </tr> <tr> <td>Approved</td> <td>E. Markou</td> <td>05.05.2023</td> <td>Surface: -</td> </tr> <tr> <td>Last change</td> <td>A. Gerstenberger</td> <td>05.05.2023</td> <td>Weight: -</td> </tr> </tbody> </table>		Name	Date	Material:	Designed	A.Gerstenberger	08.03.2021	-	Approved	E. Markou	05.05.2023	Surface: -	Last change	A. Gerstenberger	05.05.2023	Weight: -	Item no.: ---	Drawing no.: 07-480-04
	Name	Date	Material:																
Designed	A.Gerstenberger	08.03.2021	-																
Approved	E. Markou	05.05.2023	Surface: -																
Last change	A. Gerstenberger	05.05.2023	Weight: -																
This drawing is the sole property of K2 Systems GmbH. It is protected by copyright and may only be copied, reproduced or distributed to a third party with explicit permission!				All dimensions in mm Sheet 1 of 1															