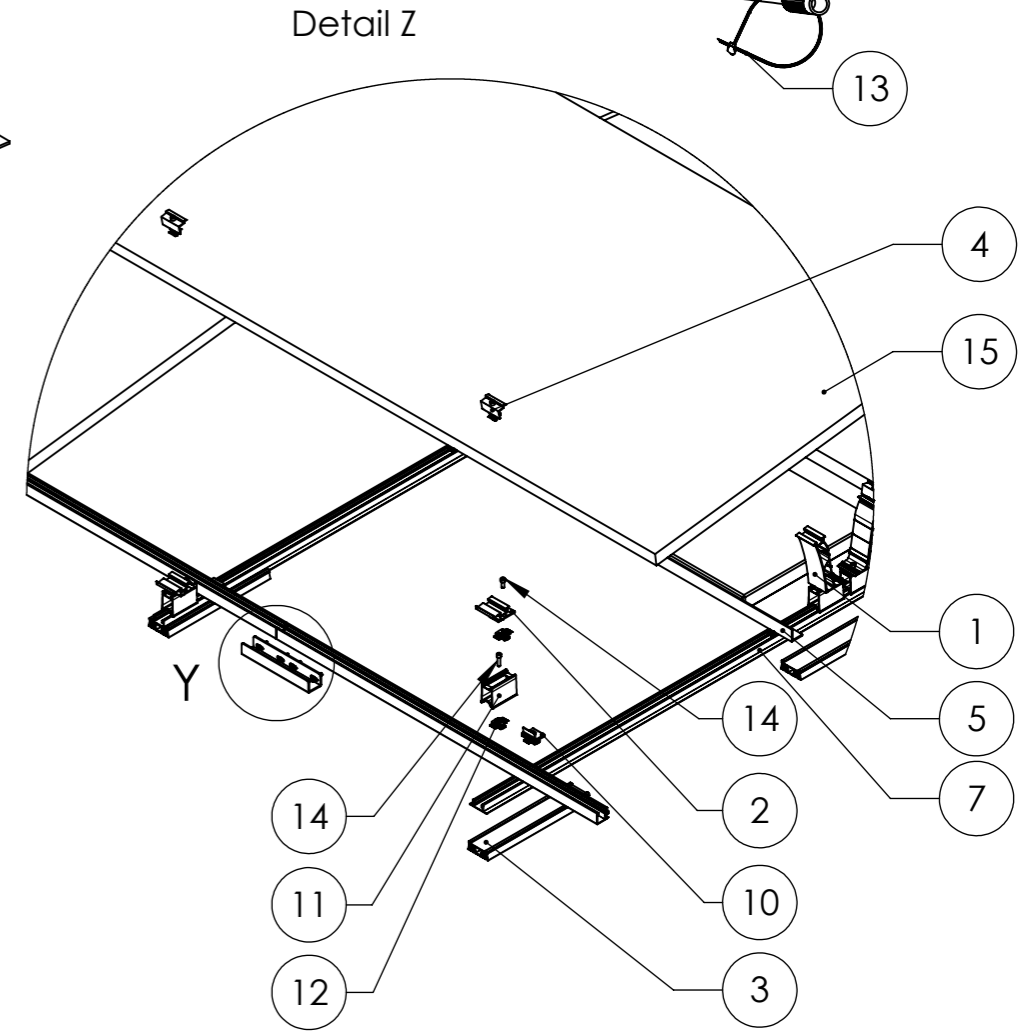
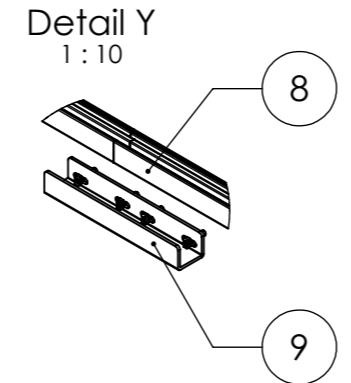



Pos.No.	Designation	optional
1	Dome 6.10 Peak	
2	Dome 6.10 SD	
3	Dome Mat S	
4	DomeClamp EC Set	
5	Dome Porter Flex	X
6	Dome FlatConnector Set	
7	BasicRail 22	
8	SingleRail 36 light	
9	SingleRail 36 Connector Set	
10	Climber Set	X
11	RailUp Set	
12	MK2	
13	CableManager	X
14	Socket head bolt serrated ISO 4762 - M8x20	
15	Module	





K2 Systems GmbH
Industriestr. 18
71272 Renningen
Germany
+49 7159 42059-0

Designation: **Data sheet
D-Dome 6.10 Classic LS
+ RailUp**

	Name	Date	Material:	Item no.:	A3
Designed	A. Gerstenberger	20.01.2023	-	---	
Approved	E. Markou	05.05.2023	Surface: -	Drawing no.:	All dimensions in mm
Last change	A. Gerstenberger	05.05.2023	Weight: -	07-186-01	Sheet 1 of 2
			Scale: 1:20		

This drawing is the sole property of K2 Systems GmbH. It is protected by copyright and may only be copied, reproduced or distributed to a third party with explicit permission!

1 2 3 4 5 6 7 8

A

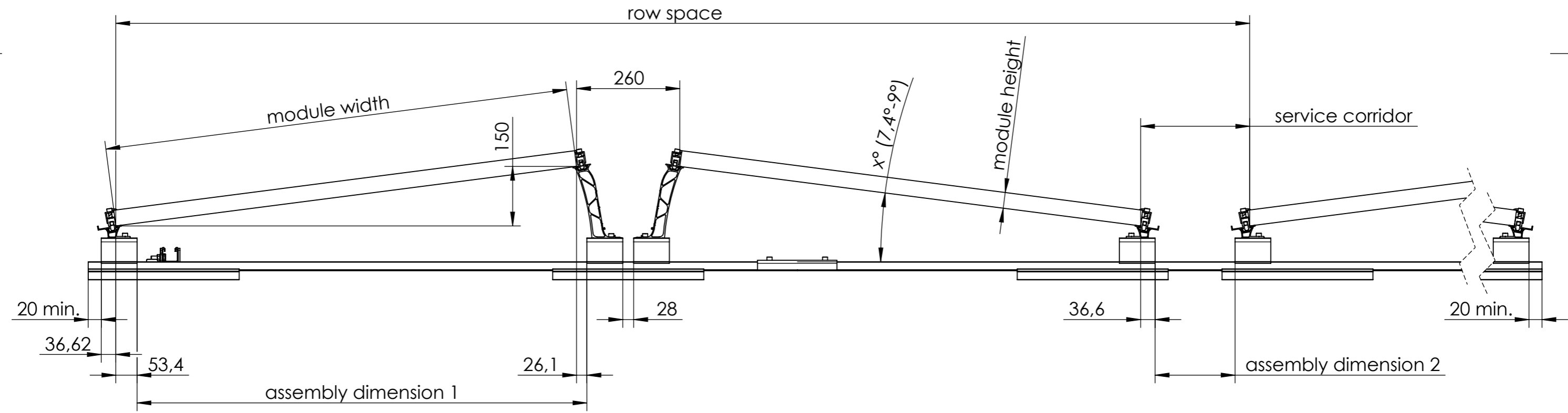
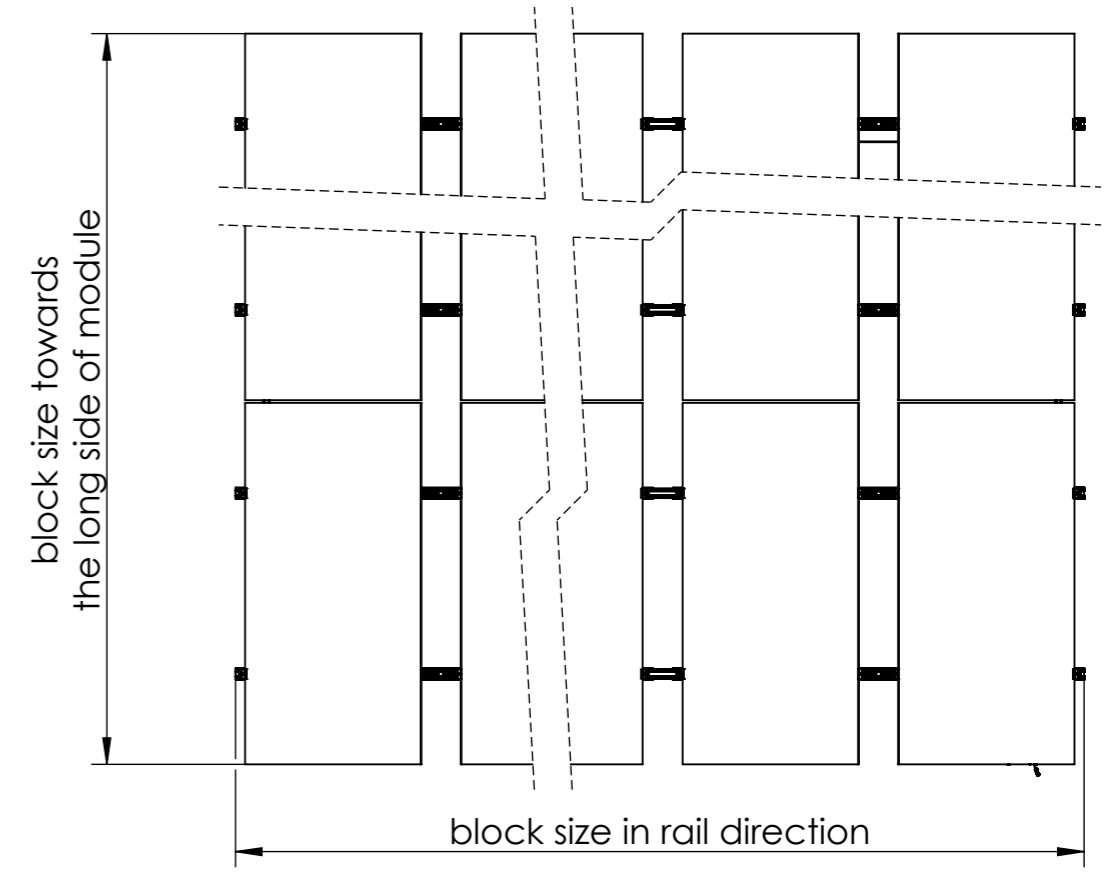
B

C

D

E

F



$x^\circ = \arcsin((150) / (\text{module width}))$
 $\text{assembly dimension 1} = (\text{module width}) * \cos(x^\circ) - 53,4 + 26,1$
 $\text{assembly dimension 2} = \text{row space} - 2(\text{module width} * \cos(x^\circ) + 260) - 2 * 36,6$
 $\text{service corridor} = \text{assembly dimension 2} - 2 * 36,6$
 $\text{block size towards the long side of module} = (\text{module length} + 18) * \text{number of columns} - 18$
 $\text{block size in rail direction} = \text{row space} * \text{number of rows} - \text{service corridor} + 2 * (36,6 + 20)$



K2 Systems GmbH
 Industriestr. 18
 71272 Renningen
 Germany
 +49 7159 42059-0

Designation:
Data sheet
D-Dome 6.10 Classic LS
+ RailUp

	Name	Date	Material:	Item no.:	A3
Designed	A. Gerstenberger	20.01.2023	-	---	
Approved	E. Markou	05.05.2023	Surface: -	Drawing no.: 07-186-01	All dimensions in mm
Last change	A. Gerstenberger	05.05.2023	Weight: -	Scale: 1:10	Sheet 2 of 2

This drawing is the sole property of K2 Systems GmbH. It is protected by copyright and may only be copied, reproduced or distributed to a third party with explicit permission!

1 2 3 4