


Pos.No.	Designation	optional
1	BasicRail 22	
2	Dome FlatConnector Set	x
3	Dome Mat S 380	
4	DomeClamp EC Set	
5	MK2	
6	Dome 6.10 SD	
7	Dome 6.10 Peak	
8	SingleRail 36 light	
9	SingleRail 36 Connector Set	x
10	Climber Set	
11	RailUp Set	
12	Dome Porter Flex	x
13	S-Dome 6.10 Windbreaker LS	
14	CableManager	x
15	Self tapping screw	
16	Socket haed bolt serrated-sim. ISO 4762 - M8x20	
17	Module	



K2 Systems GmbH
Industriestr. 18
71272 Renningen
Germany
+49 7159 42059-0

Designation: **S-Dome 6.10 Classic LS + RailUp**

	Name	Date	Material:	Item no.:	A3
Designed	A. Gerstenberger	20.01.2023	-	---	
Approved	E. Markou	05.05.2023	Surface: -	Drawing no.:	All dimensions in mm
Last change	A. Gerstenberger	05.05.2023	Weight: -	07-187-01	Sheet 1 of 2
			Scale: 1:20		

This drawing is the sole property of K2 Systems GmbH. It is protected by copyright and may only be copied, reproduced or distributed to a third party with explicit permission!

1 2 3 4 5 6 7 8

A

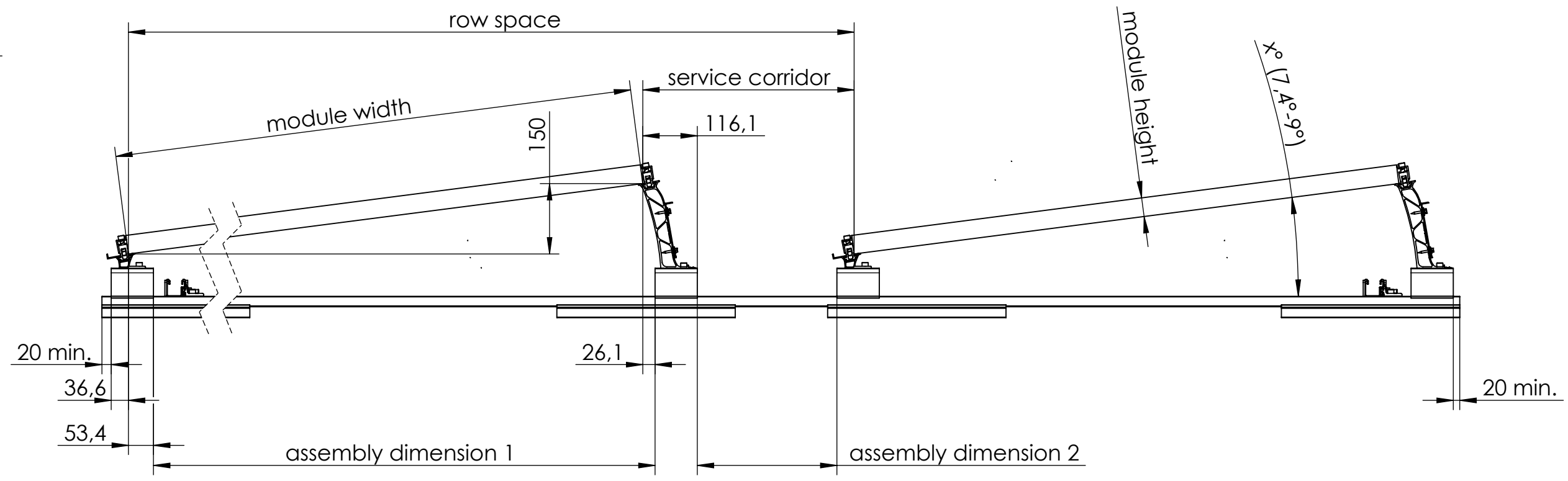
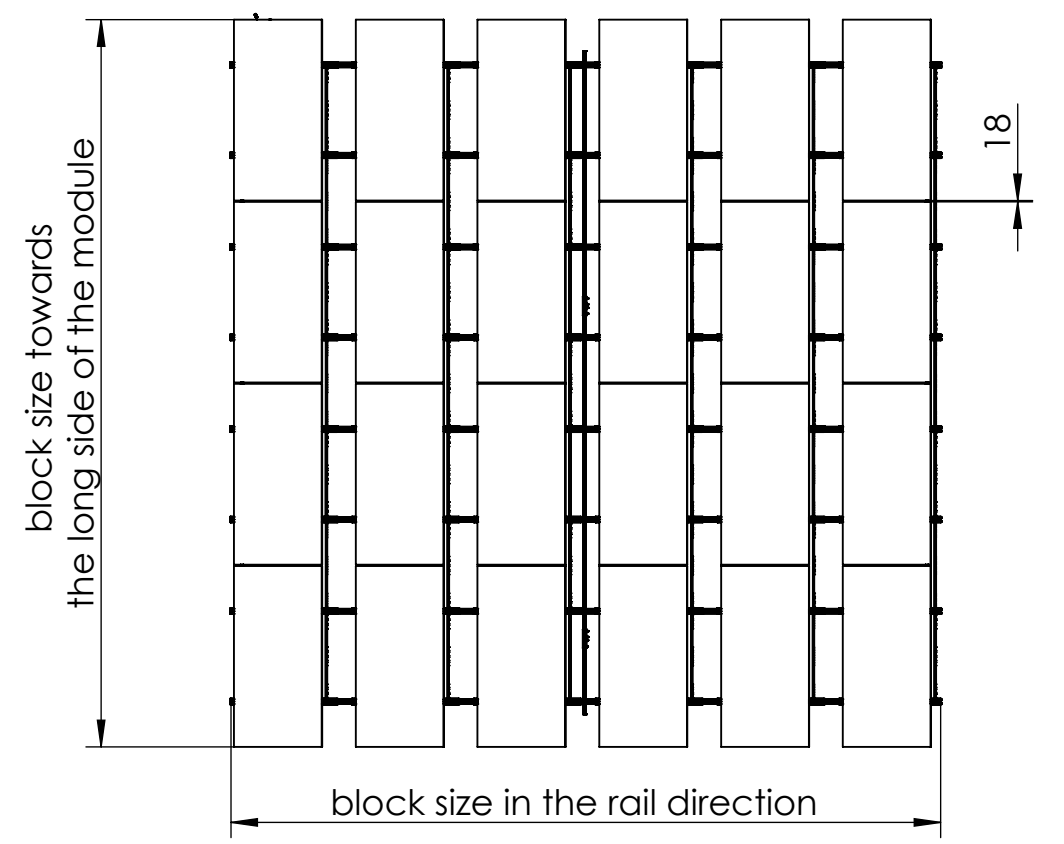
B

C


D

E

F



$x^\circ = \arcsin(150/\text{module width})$
 $\text{assembly dimension 1} = \text{module width} * \cos(x^\circ) - 53,4 + 26,1$
 $\text{assembly dimension 2} = \text{row space} - \cos(x^\circ) * \text{module width} - 116,1 - 36,6$
 $\text{service corridor} = \text{row space} - \text{module width} * \cos(x^\circ)$
 $\text{block size in the rail direction} = \text{row space} * \text{quantity of rows} - \text{service corridor} + 36,6 + 116,1 + 2 * 20$
 $\text{block size towards the long side of the module} = (\text{module length} + 18) * \text{number of rows} - 18$

 K2 Systems GmbH Industriestr. 18 71272 Renningen Germany +49 7159 42059-0				Designation: S-Dome 6.10 Classic LS + RailUp	
Name		Date		Material:	
Designed A. Gerstenberger		20.01.2023		-	
Approved E. Markou		05.05.2023		Surface: -	
Last change A. Gerstenberger		05.05.2023		Weight: - Scale: 1:10	
Item no.: ---				A3	
Drawing no.: 07-187-01				All dimensions in mm	
Sheet 2 of 2				Sheet 2 of 2	
This drawing is the sole property of K2 Systems GmbH. It is protected by copyright and may only be copied, reproduced or distributed to a third party with explicit permission!					

1 2 3 4