


Pos.-No.	Designation	optional
1	BasicRail 22	
2	BasicClip	
3	BasicLock 22 Set	
4	Dome Flat Connector Set	X
5	Dome 6.10 SD	
6	Dome 6.10 Peak	
7	DomeClamp EC Set	
8	CableManager	X
9	MK2	
10	Socket head bolt serrated - sim. ISO 4762 - M8x20	
11	Module	



K2 Systems GmbH
Industriestr. 18
71272 Renningen
Germany
+49 7159 42059-0

Designation: **Data sheet**
D-Dome 6.10 Classic LS
on trapezoidal roofing

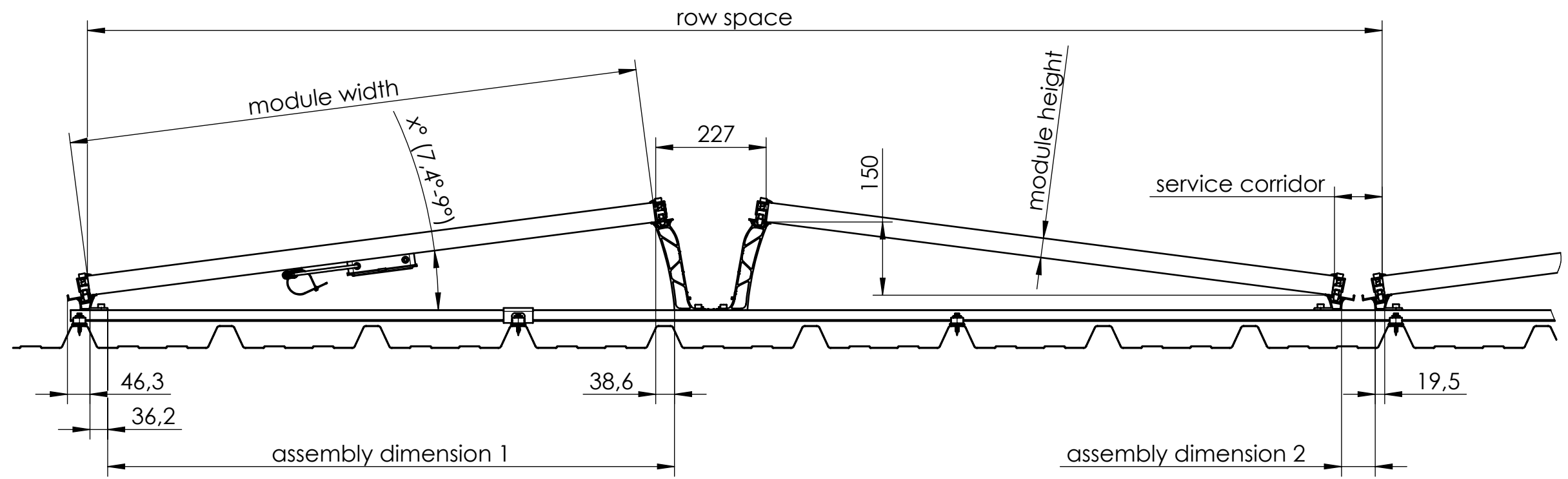
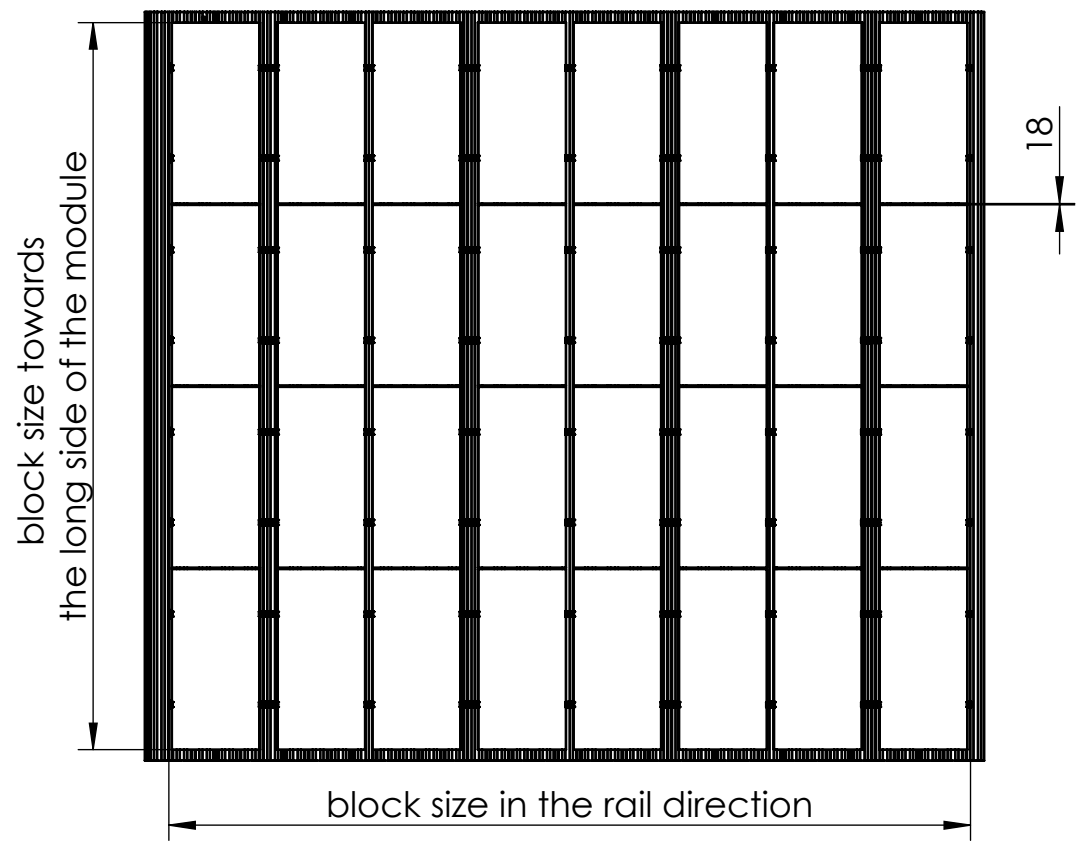
	Name	Date	Material:	Item no.:		A3
Designed	A. Gerstenberger	20.01.2023	-	---		
Approved	E. Markou	05.05.2023	Surface: -	Drawing no.:	07-181-01	All dimensions in mm
Last change	A. Gerstenberger	05.05.2023	Weight: -	Scale: 1:100		Sheet 1 of 2

This drawing is the sole property of K2 Systems GmbH. It is protected by copyright and may only be copied, reproduced or distributed to a third party with explicit permission!

1 2 3 4 5 6 7 8

A B C D E F

Plan view
1:100



$x^\circ = \arcsin(150 / \text{module width})$
 assembly dimension 1 = $\text{module width} \cdot \cos(x^\circ) - 36,2 + 38,6$
 assembly dimension 2 = $\text{row space} - 2(\text{module width} \cdot \cos(x^\circ)) - 227 - 2 \cdot 19,5$
 service corridor = $\text{row space} - 2(\text{module width} \cdot \cos(x^\circ)) - 227$
 block size towards the long side of the module = $(\text{module length} + 18) \cdot \text{number of rows} - 18$
 block size length in rail direction = $\text{row space} \cdot \text{number of row} - \text{service corridor}$

	K2 Systems GmbH Industriestr. 18 71272 Renningen Germany +49 7159 42059-0		
	Name	Date	Material:
	Designed	A. Gerstenberger	20.01.2023
	Approved	E. Markou	05.05.2023
Last change	A. Gerstenberger	05.05.2023	Weight: -
			Scale: 1:10

Designation:		Data sheet D-Dome 6.10 Classic LS on trapezoidal roofing AssemblyDimension	
Item no.:	---		A3
Drawing no.:	07-181-01	All dimensions in mm	
			Sheet 2 of 2

This drawing is the sole property of K2 Systems GmbH. It is protected by copyright and may only be copied, reproduced or distributed to a third party with explicit permission!

1 2 3 4