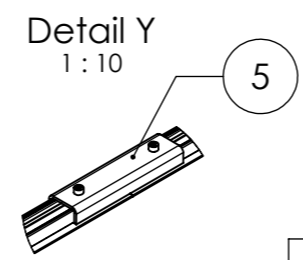



Pos.No.	Designation	optional
1	Dome 6.15 Peak	
2	Dome 6.15 SD	
3	DomeClamp EC Set	
4	DomeClamp MC Set	
5	Dome FlatConnector Set	x
6	BasicRail 22	
7	S-Dome 6.15 Windbreaker	
8	MK2	
9	CableManager	x
10	Socket haed bolt serrated - sim. ISO 4762 - M8x20	
11	Self tapping screw	
12	PE-Plate	
13	Module	





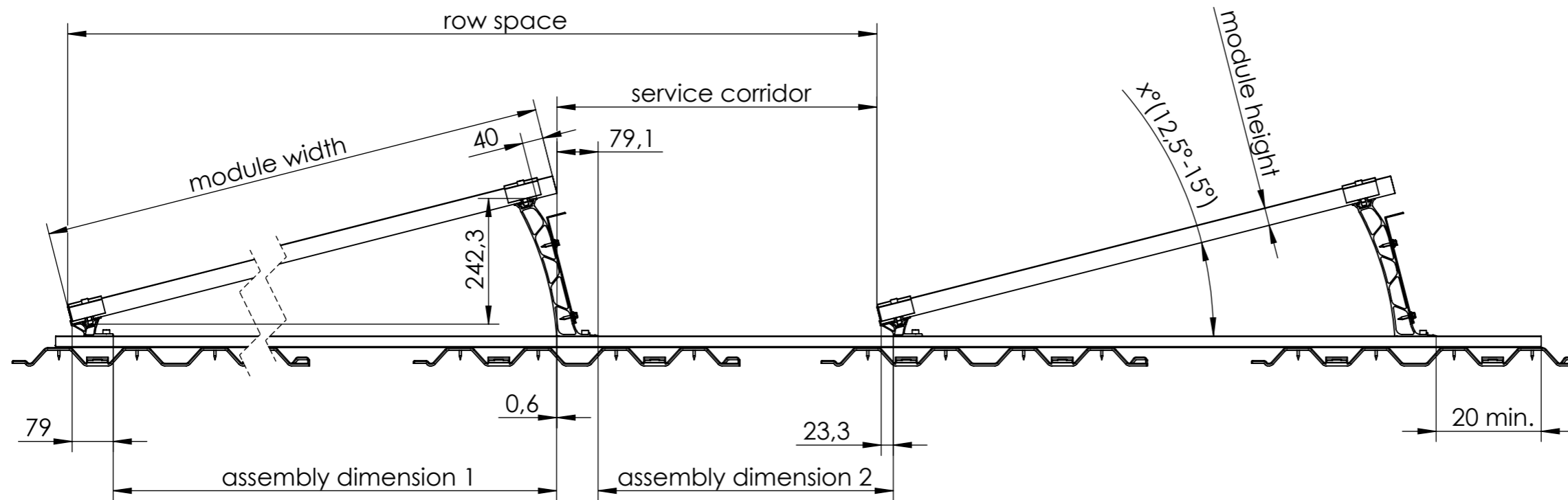
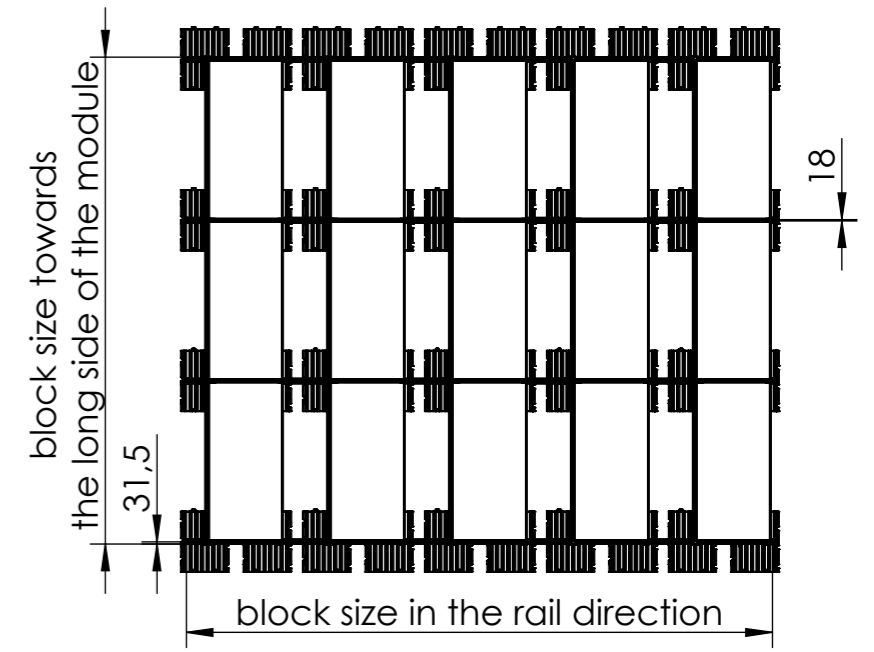
K2 Systems GmbH
Industriestr. 18
71272 Renningen
Germany
+49 7159 42059-0

Designation: **Data sheet**
S-Dome 6.15 Classic
on PE-Plate


	Name	Date	Material:	Item no.:	A3
Designed	A. Gerstenberger	26.10.2022	-	---	
Approved	E. Markou	05.05.2023	Surface: -	Drawing no.:	All dimensions in mm
Last change	A. Gerstenberger	05.05.2023	Weight: -	07-174-01	Sheet 1 of 1
			Scale: 1:20		

This drawing is the sole property of K2 Systems GmbH. It is protected by copyright and may only be copied, reproduced or distributed to a third party with explicit permission!

Plan view
1 : 100



$x^\circ = \arcsin(242,3 / (\text{module width} - 40))$
 $\text{assembly dimension 1} = (\text{module width}) * \cos(x^\circ) - 79 - 0,6$
 $\text{assembly dimension 2} = \text{row space} - \cos(x^\circ) * \text{module width} - 79,1 + 23,3$
 $\text{service corridor} = \text{row space} - \text{module width} * \cos(x^\circ)$
 $\text{block size in the rail direction} = \text{row space} * \text{quantity of rows} - \text{service corridor} + 79,1 + 20$
 $\text{block size towards the long side of the module} = \text{number of module columns} * (\text{module length} + 18) - 18 + 2 * 31,5$

				K2 Systems GmbH Industriestr. 18 71272 Renningen Germany +49 7159 42059-0		Designation: Data sheet S-Dome 6.15 Classic on PE-Plate AssemblyDimension	
	Name	Date	Material:	Item no.:	---		A3
Designed	A. Gerstenberger	26.10.2022	-	Drawing no.:	07-174-01	All dimensions in mm	
Approved	E. Markou	05.05.2023	Surface: -			Sheet 1 of 1	
Last change	A. Gerstenberger	05.05.2023	Weight: -	Scale: 1:10			
This drawing is the sole property of K2 Systems GmbH. It is protected by copyright and may only be copied, reproduced or distributed to a third party with explicit permission!							