

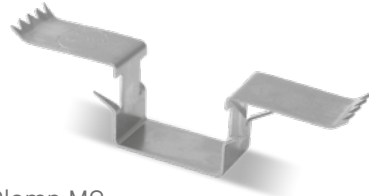
Equipotential bonding / TerraGrif



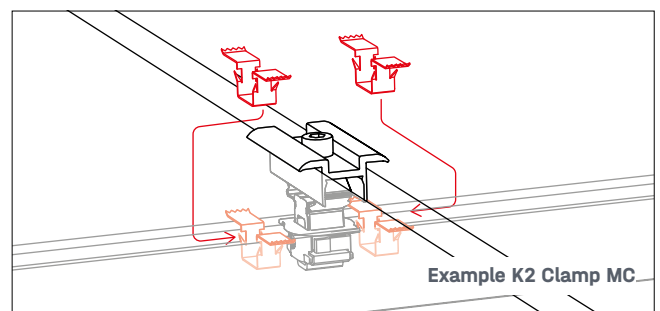
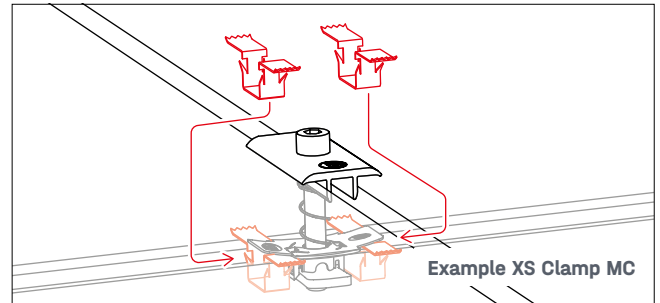
Applications

TerraGrif K2SZ: The solution for standard clamps For all systems with MK2 rail channel

- ▶ Simple fixation to the K2 mounting rail
- ▶ Position in the lower edge area of the module frame
- ▶ Not compatible with AddOn assembly



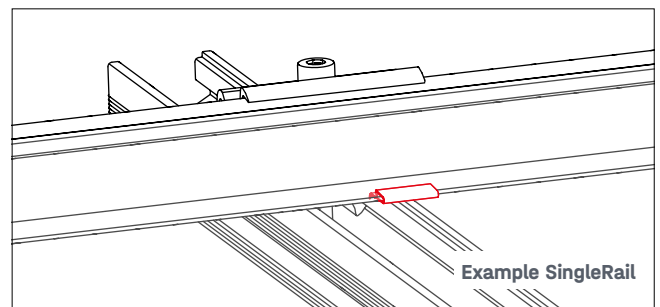
Also compatible with K2 Clamp MC



TerraGrif U17

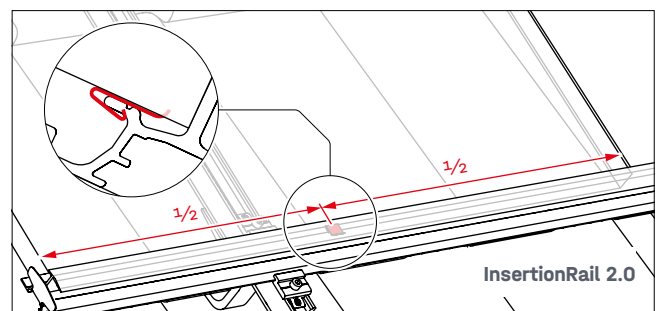
Alternative to K2SZ

- ▶ Easy fixation to the lower edge of the module frame
- ▶ Compatible with most module types
- ▶ Positioning within the area of the adjacent mounting system components



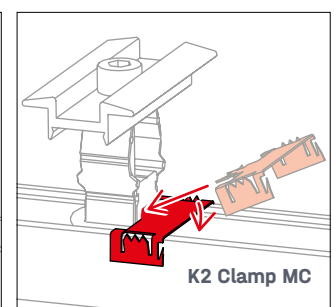
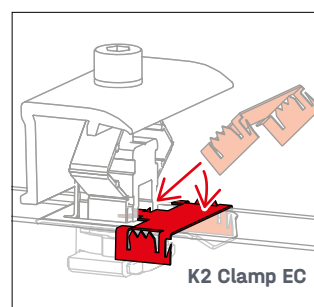
For InsertionRail 2.0

- ▶ Easy attachment to the InsertionRail
- ▶ Positioning centered relative to the module frame



TerraGrif QL: The solution for K2 Clamp

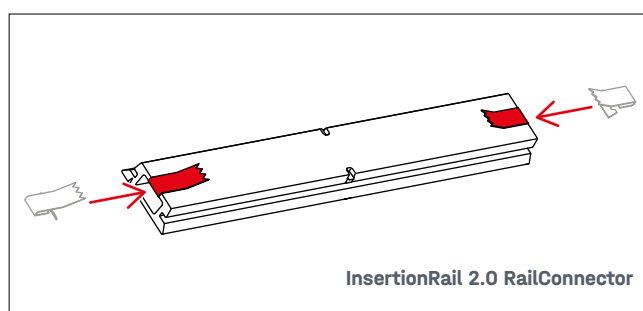
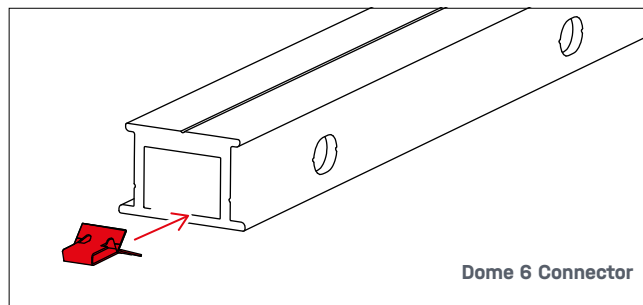
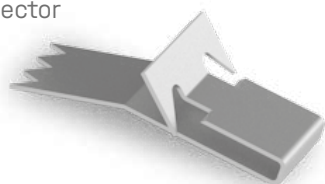
Easy fixation in the K2 Clamp and in the K2 mounting rail.



Applications

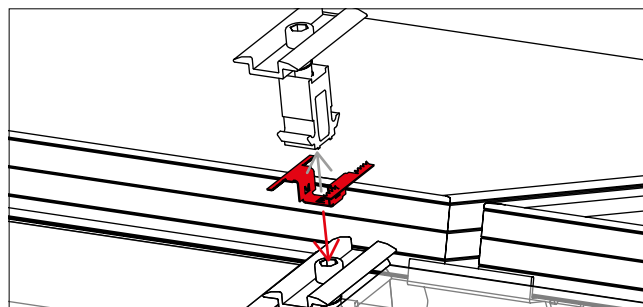
TerraGrif PL: For Dome 6 Connector / InsertionRail 2.0 RailConnector

Easy fixation to Dome 6 Connector / InsertionRail 2.0 RailConnector



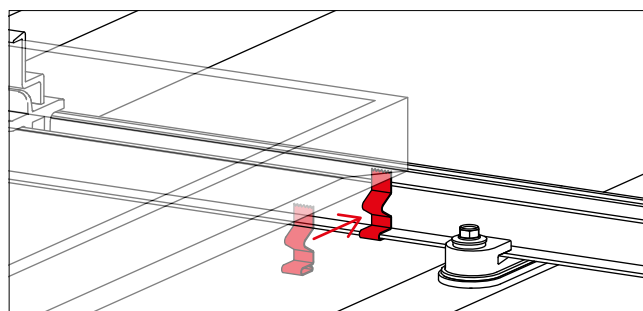
TerraGrif K2MI: The DomeClamp Solution

- ▶ Direct attachment to the DomeClamp
- ▶ K2MI connects 2 modules and is suitable for corner clamping and longitudinal clamping



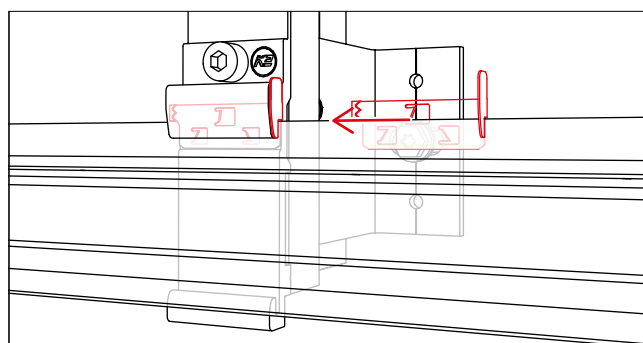
TerraGrif K2PA: For BasicRail systems in landscape orientation with AddOn

- ▶ Quick fixation to the lower strut of the BasicRail
- ▶ Free placement in the lower edge area of the module



CrossConnector Clip: Para InsertionRail 2.0 utilizado com CrossConnector T

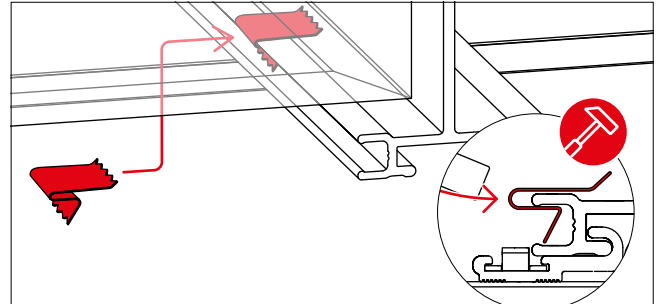
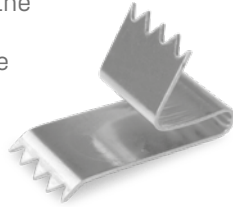
Easy fixation of the InsertionRail



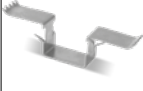
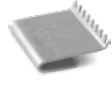




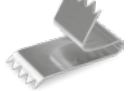

Applications

TerraGrif S***: Recommendation for InsertionRail***

- ▶ Fast fixation at the lower bar of the insertion rail
- ▶ Free positioning in the area of the module frame edge



Compatibility and technical data

	K2SZ	U17	QL	PL	K2MI Duo 18	K2PA	S	Cross Connector Clip
Image								
Compatibility								
K2 Clamp	●*	○	●	○	○	○	○	○
XS Clamp	●	○	○	○	○	○	○	○
FacadeClamp	○	○	●	○	○	○	○	○
AddOn assembly	○	○	○	○	○	●	○	○
Dome Clamp	○	○	○	○	●	○	○	○
Dome 6 Connector	○	○	○	●	○	○	○	○
InsertionRail 2.0	○	●	○	●	○	○	○	●**
InsertionRail***	○	○	○	○	○	○	●	○
Bottom edge of module frame	○	●	○	○	○	○	○	○
Item number	2001881	2000056	2004231	2004102	2003542	2000055	2002397***	2004916**
Std. tolerance value	Norm DIN 2095 grade 2							ISO 8015
Material	Stainless steel 301 TA							1.4310 C1300
Norm	NFA 35573							DIN 6930-2m
Weight [g]	3,2	1,8	4,2	1,15	3,6	2,4	1,5	2,64
Dim. W×H×D [mm]	10×16×60	20×5,8×17	17,5×9×45	22×10×8	40×11,7×36	10×31,7×12	10×13,5×21	44,5×8,1×23
Thickness [mm]	0,5							

● Compatible ○ Not compatible

* Only with K2 Clamp MC

** Only compatible when used together with CrossConnector T

*** Phase out item